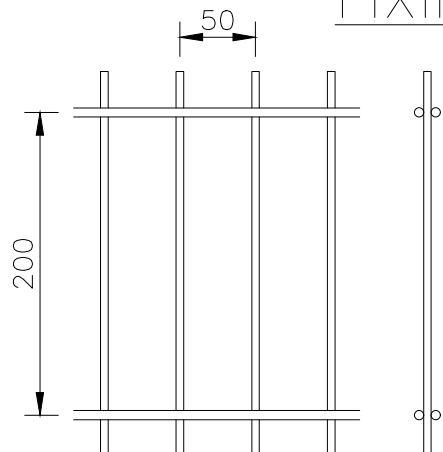
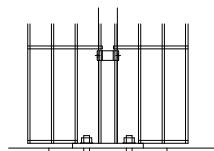
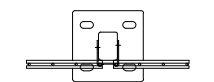


FIXING DETAILS



MESH DETAILS
(SCALE 1:5)

BASEPLATE SLOTTED FOR M12 CHEMICAL FIXINGS



OPTIONAL BASEPLATED POSTS
(SCALE 1:16)

NOTES.

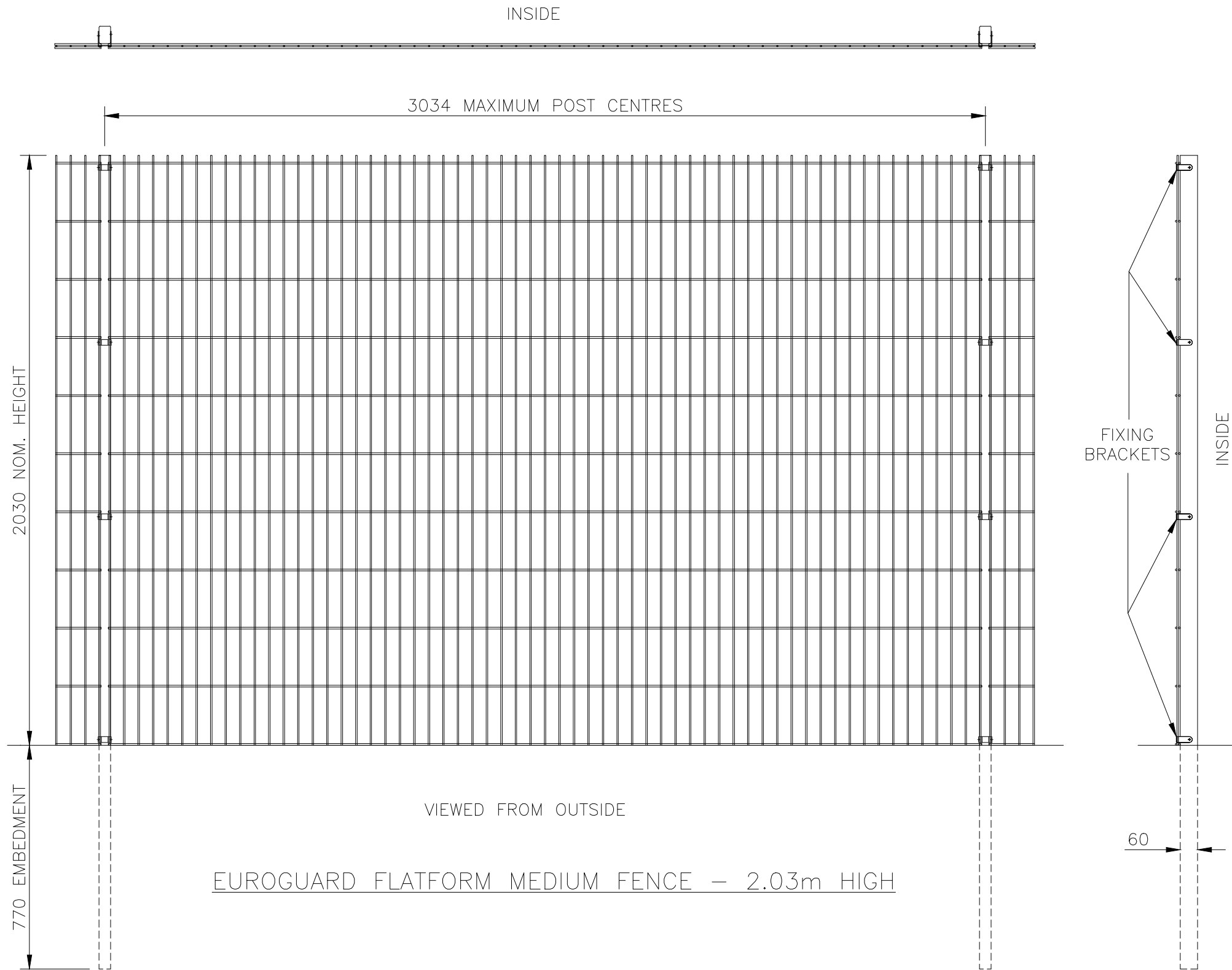
ALL DIMENSIONS ARE IN mm (U.N.O)
GAPS UNDERNEATH GATES & FENCING ARE NOMINAL DUE TO GROUND LEVELS.

Materials.

FENCE POSTS - 60 x 40 RHS (TYPICAL)
HORIZONTAL WIRES - Ø6mm
VERTICAL WIRES - Ø5mm

Finish.

GALVANISED TO BS EN ISO 1461
POWDER COATED: IF REQUIRED



EUROGUARD PLATFORM MEDIUM FENCE - 2.03m HIGH

Jacksons Fencing
Stowting Common, Near Ashford, Kent. TN25 6BN
Telephone: 01233 750393
Fax: 01233 750403
www.jacksons-fencing.co.uk

This Drawing Is The Property Of H.S. Jackson & Son (Fencing) Ltd, And May Not Be Copied Or Reproduced In Any Way Without Prior Written Permission.

DO NOT SCALE - IF IN DOUBT ASK

8	20/02/2020	NEW BORDER + NOTES
7	12/02/20	MESH AND CLIPS REDRAWN
6	25/06/2018	BASEPLATE OPTION
5	07/02/15	1 No. Clip Added
4	28/02/11	50mm Wire Centres

Drawn	WB
Date	06/12/2010
Checked	WB
Size	A3
Scale	1:16 U.O.S

TITLE	SALES DRAWING FOR EUROGUARD PLATFORM MEDIUM FENCING - 2.03m HIGH	
CUSTOMER		
ACK No.		
Drawing No.	J6/01060	
	Sheet 4	