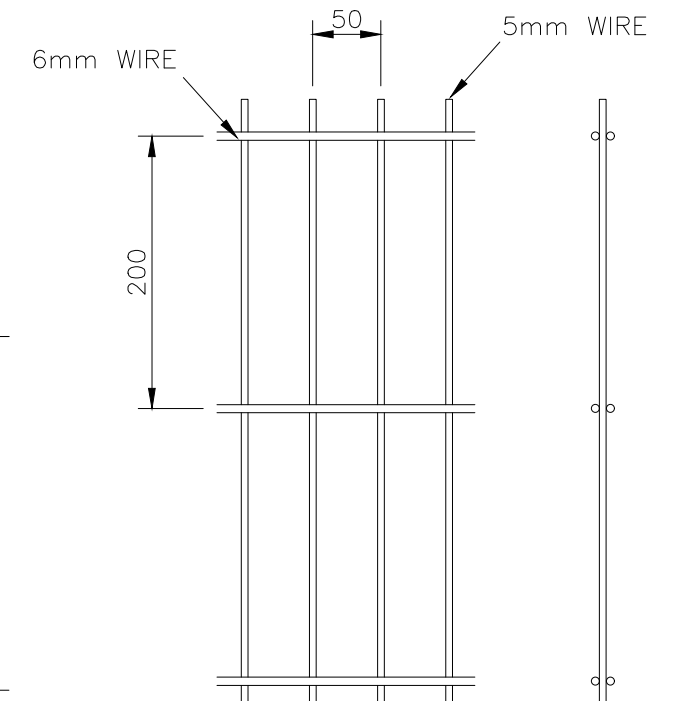
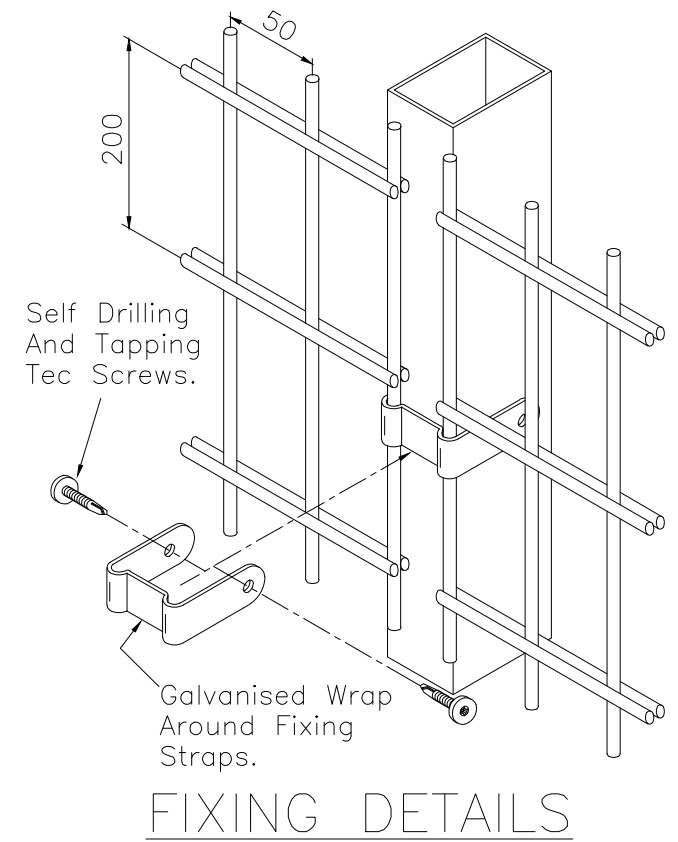
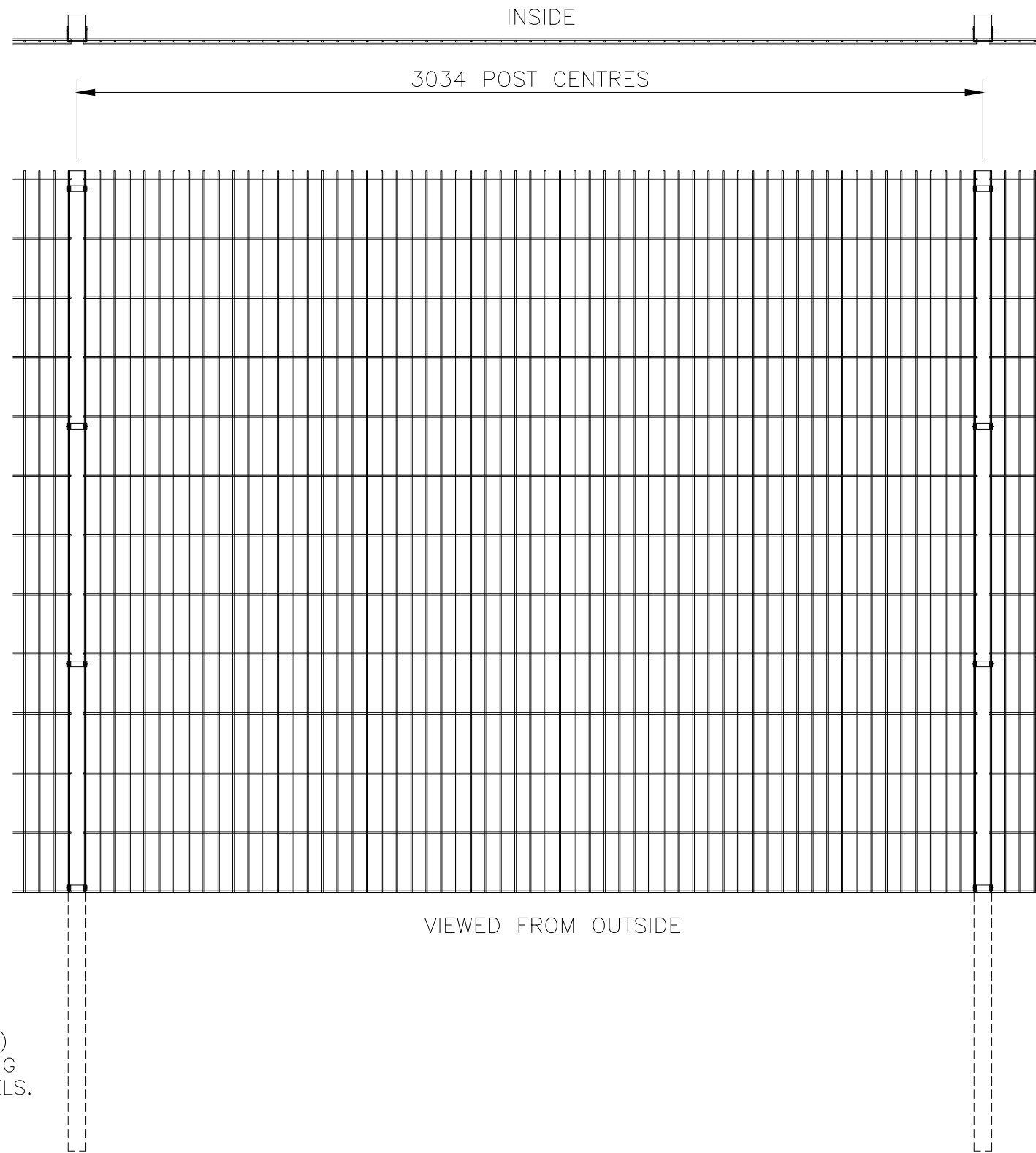
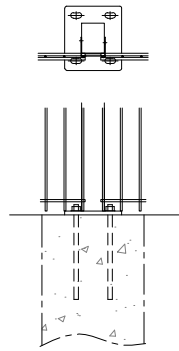


DO NOT SCALE – IF IN DOUBT ASK



150 x 10 thk x 170  
BASEPLATE DRILLED FOR  
4 No. M12 CHEMICAL FIXINGS



BASEPLATED POSTS  
(OPTIONAL)

NOTES.

ALL DIMENSIONS ARE IN mm (U.N.O)  
GAPS UNDERNEATH GATES & FENCING  
ARE NOMINAL DUE TO GROUND LEVELS.

Materials.

FENCE POSTS – 80 x 60 RHS  
HORIZONTAL WIRES –  $\phi$ 6mm  
VERTICAL WIRES –  $\phi$ 5mm

Finish.

GALVANISED TO BS EN ISO 1461:1999  
POWDER COATED: IF REQUIRED

**Jacksons**  
**FINE FENCING**

Stowting Common  
Near Ashford,  
KENT. TN25 6BN  
Telephone : 01233 750393  
Fax: 01233 750403  
Int. Tel : +44 (0)1233 750393

This Drawing Is The Property Of H.S. Jackson & Son (Fencing) Ltd.  
And May Not Be Copied Or Reproduced In Any Way Without Prior Written Permission.

- ⑤ 25/06/2018 BASEPLATE OPTION
- ④ 28/02/11 50mm Wire Centres
- ③ 06/12/10 RE-DRAWN

Drawn	WB	TITLE	SALES DRAWING FOR EUROGUARD
Date	06/12/10		PLATFORM MEDIUM FENCING 2.43m HIGH
Checked		CUSTOMER	Drawing No.
Size	A3	Scale	1:16 U.O.S
		ACK No.	10 J6/01060 Sheet 5 of 5