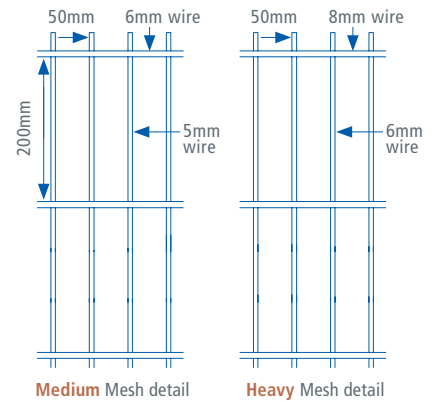


EUROGUARD® PLATFORM



Euroguard® Platform has a flat profile with double horizontal wires. It is ideal for commercial sites (schools or play areas) or similar installations; anywhere durability and security is important. The panels can be stacked above one another to give a 6000mm high fence.

- Available in medium 200 x 50mm wire centres with 45mm gap
- double 6mm wire, 5mm vertical wire
- Available in heavy 200 x 50mm wire centres with 45mm gap
- double 8mm horizontal wire, 6mm vertical wire
- Can be stepped to accommodate sloping ground
- Posts can be adapted to mount CCTV cameras, lighting or physical security devices
- Posts can be customised for Barbed wire / Razor wire / Rota Spike® / Alarm-aFence®
- **25 year service life guarantee**



APPLICATIONS

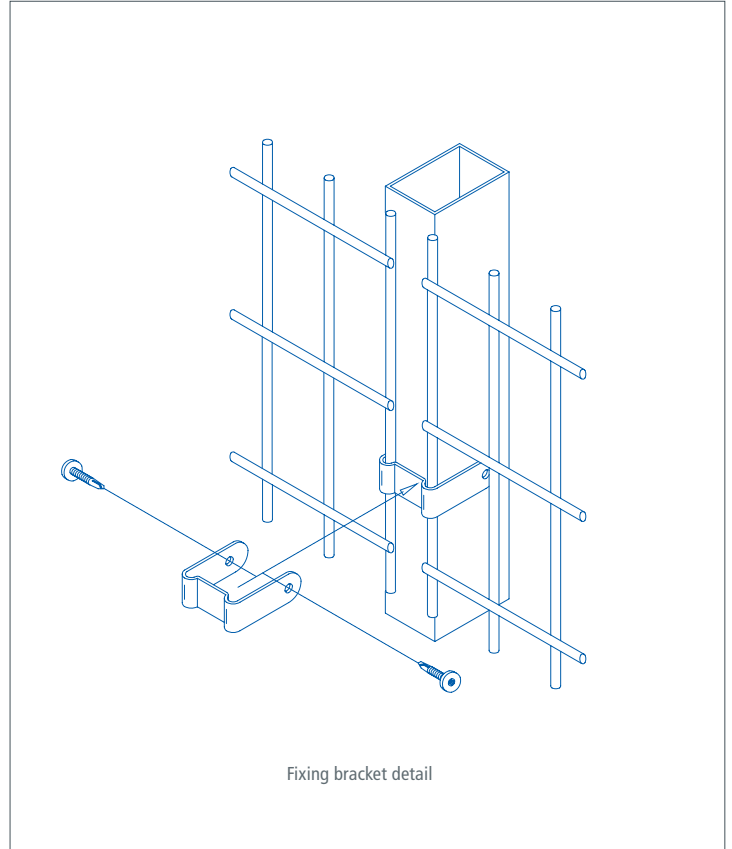
- ✓ Sports
- ✓ Industrial sites
- ✓ Schools

PANELS

Mesh panels have a flat profile with double horizontal wires, welded at intersections which are Galfan® zinc alloy treated as standard.

GATES

Matching gates available



HEIGHT (MM)	POST CENTRES (MM)	MEDIUM	HEAVY	POST DIMENSIONS (MM)	OVERALL POST LENGTH (MM)
1030	3034	✓		60 x 40	1600
1230	3034	✓		60 x 40	1800
1830	3034	✓		60 x 40	2500
2030	3034	✓	✓	60 x 40	2800
2430	3054	✓	✓	80 x 60	3300

POST OPTIONS

- Overlength set in concrete as standard
- Baseplated to bolt down onto concrete
- Cranked to suit wall mounting

FINISHES

- Panels are Galvan[®] zinc alloy coated as standard
- Powder coated to BS EN 13438
- Marine coat for installations within 500m of salt water or an estuary

STANDARD COLOURS

- Black RAL 9005
- Green RAL 6005
- Other colours are available on request