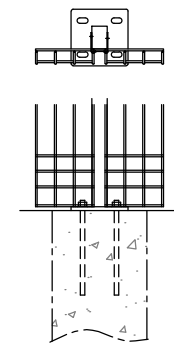
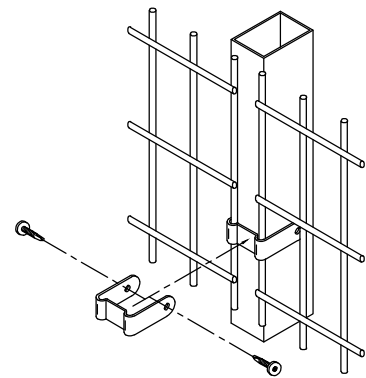


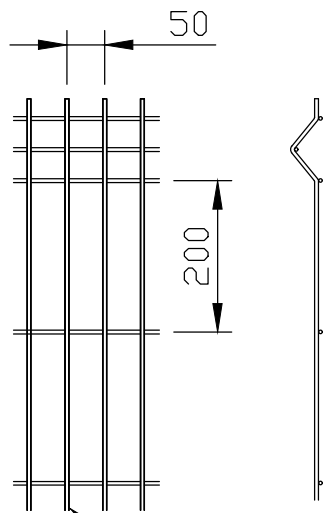
150 x 10 thk x 150  
BASEPLATE DRILLED FOR  
4 No. M12 CHEMICAL FIXINGS



BASEPLATED POSTS  
(OPTIONAL)

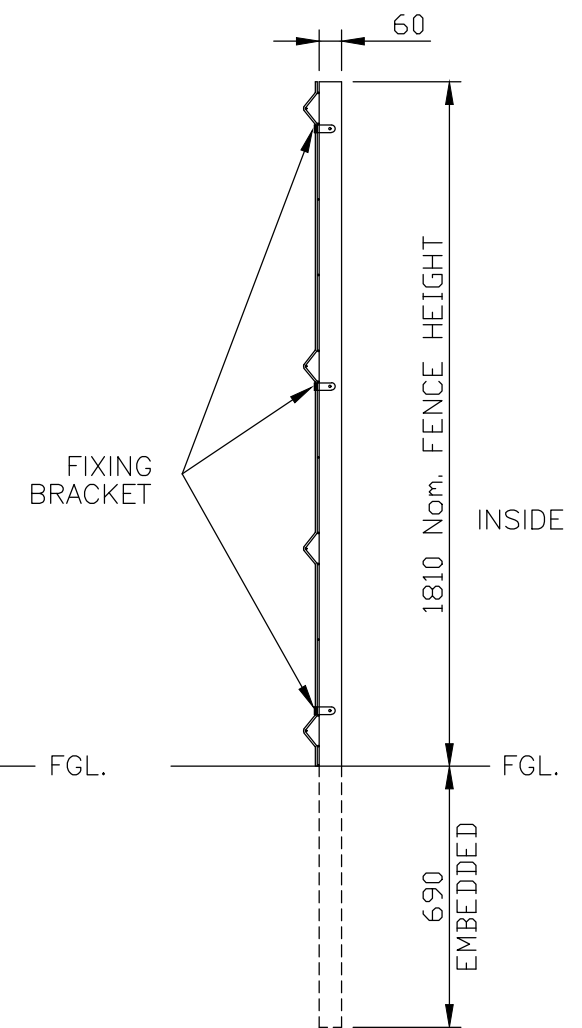
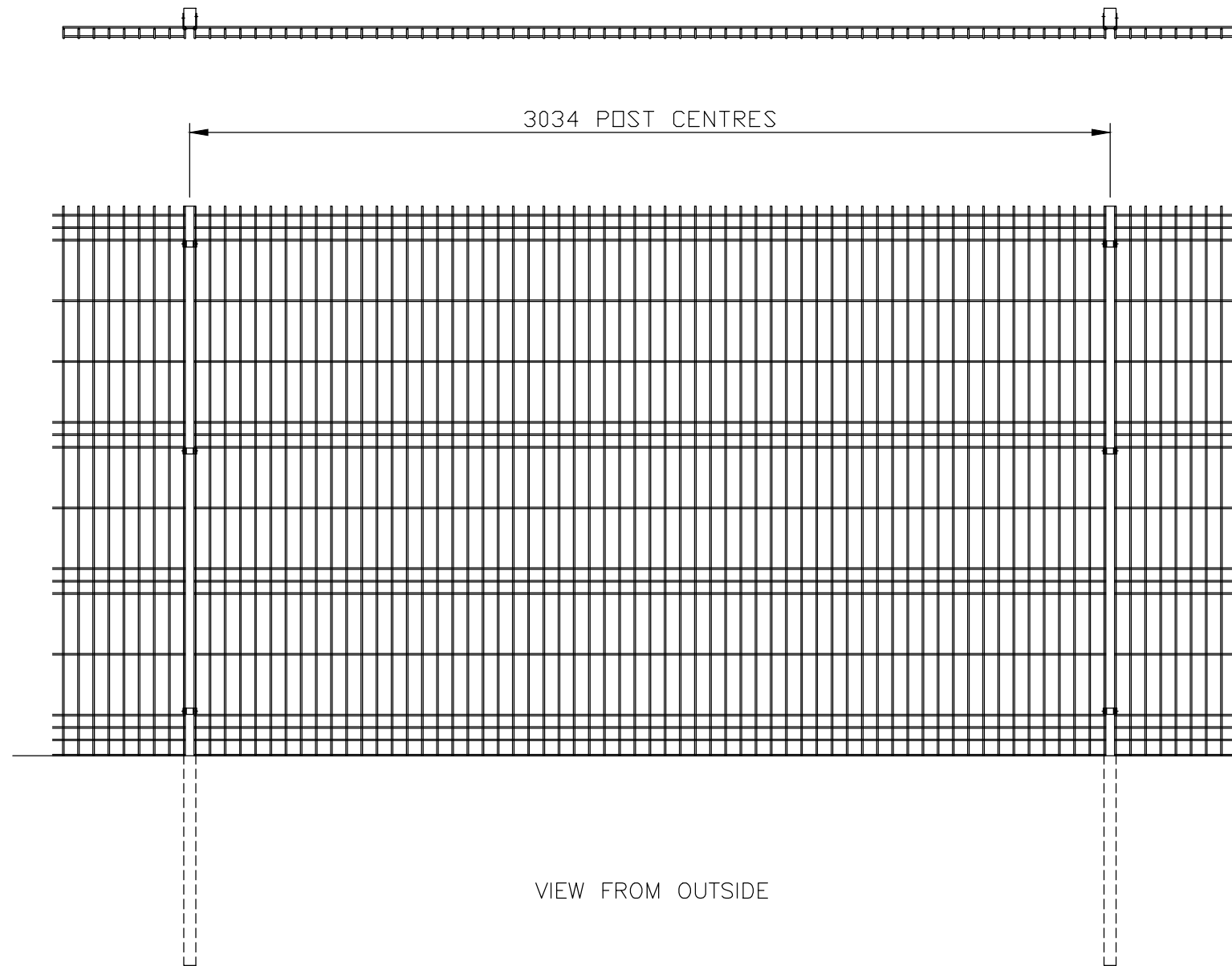


FIXING BRACKET  
DETAIL



ø5mm WIRE

MESH DETAILS



**NOTES.**

ALL DIMENSIONS ARE IN mm (UNO)  
GAPS UNDER GATES ARE  
NOMINAL DUE TO GROUND LEVELS.

**MATERIALS.**

POST: 60 x 40 RHS (TYPICAL)  
(POSTS ASSESSED TO SITE LOCATION)

**FINISH.**

GALVANISED TO BS EN ISO 1461  
POWDER COATED: IF REQUESTED

**Jacksons  
Fencing**

Stowting Common, Near Ashford,  
Kent. TN25 6BN  
Telephone: 01233 750393  
Fax: 01233 750403  
www.jacksons-fencing.co.uk

This Drawing Is The Property Of H.S. Jackson & Son (Fencing) Ltd, And May  
Not Be Copied Or Reproduced In Any Way Without Prior Written Permission.

DO NOT SCALE – IF IN DOUBT ASK

- ⑤ 19/02/2020 NEW BORDER + NOTES UPDATED
- ④ 25/06/2018 BASEPLATE OPTION
- ③ 25/02/11 50mm Wire Centres
- ② 04/01/10 Panels Corrected
- ① 29/09/08 Panel Width Now 3m

|         |               |
|---------|---------------|
| Drawn   | S.leeper      |
| Date    | 15/06/2006    |
| Checked | Chris J       |
| Size    | A3            |
| Scale   | 1:20<br>U.O.S |

|             |                                   |
|-------------|-----------------------------------|
| TITLE       | SALES DRAWING                     |
|             | 1.8m HIGH EUROGUARD REGULAR FENCE |
| CUSTOMER    |                                   |
| ACK No.     |                                   |
| Drawing No. | J6/01058                          |
|             | Sheet 2                           |