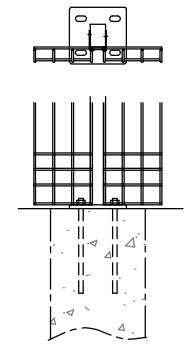
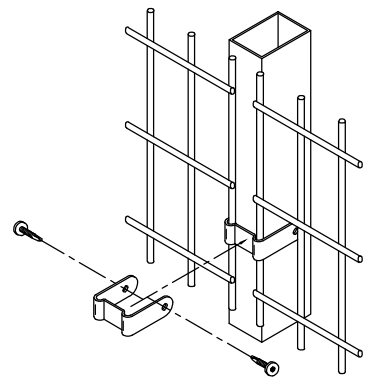


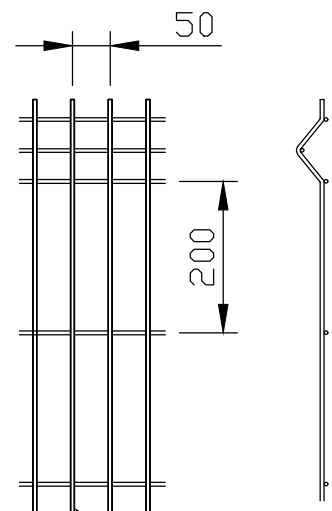
150 x 10 thk x 150
BASEPLATE DRILLED FOR
4 No. M12 CHEMICAL FIXINGS



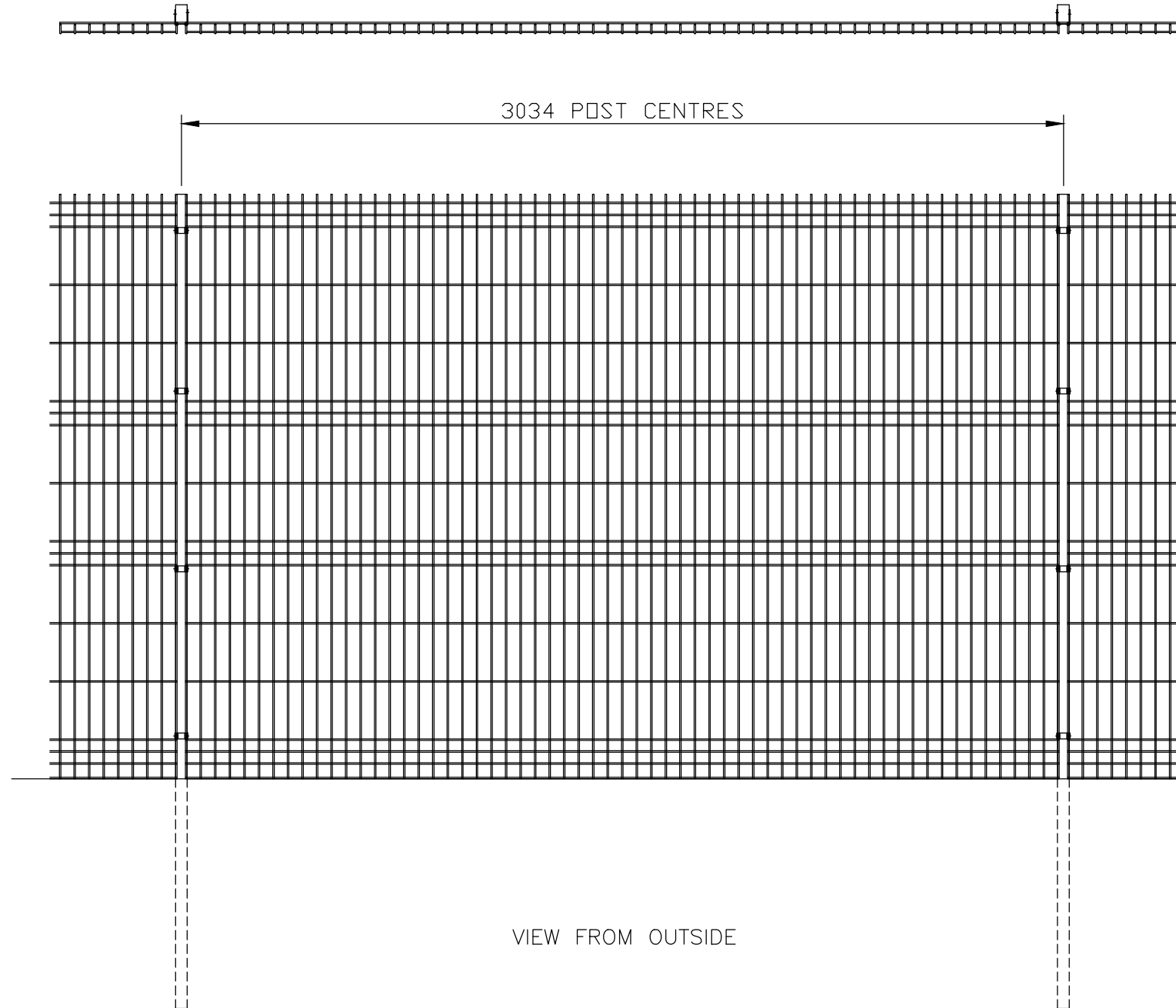
BASEPLATED POSTS
(OPTIONAL)



FIXING BRACKET
DETAIL

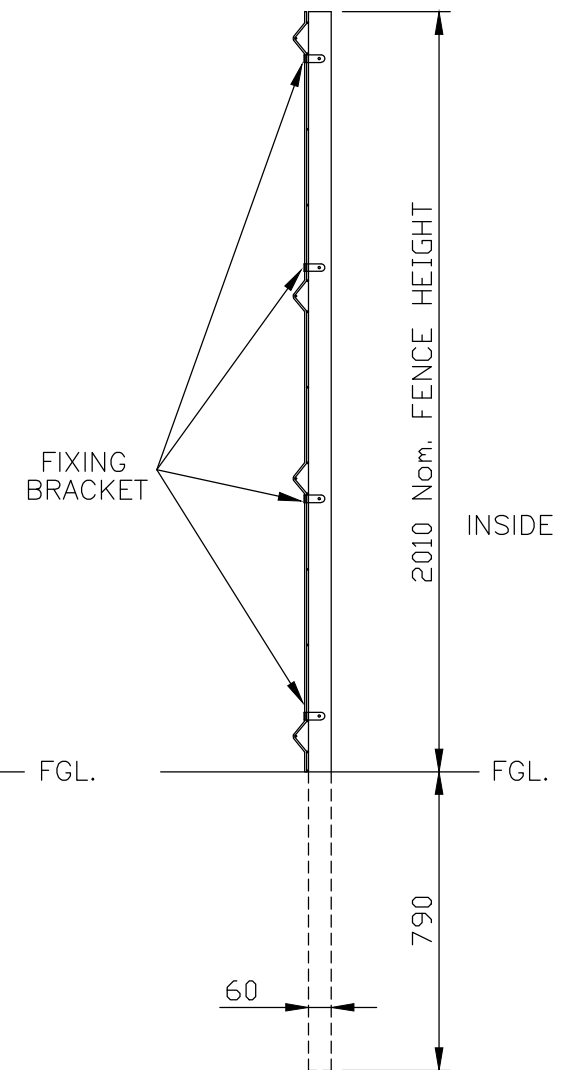


ø5mm WIRE
MESH DETAILS



3034 POST CENTRES

VIEW FROM OUTSIDE



FIXING BRACKET

2010 Nom. FENCE HEIGHT

INSIDE

790

60

FGL.

FGL.

NOTES.

ALL DIMENSIONS ARE IN mm (UNO)
GAPS UNDER GATES ARE
NOMINAL DUE TO GROUND LEVELS.

MATERIALS.

POST: 60 x 40 RHS (TYPICAL)
(POSTS ASSESSED TO SITE LOCATION)

FINISH.

GALVANISED TO BS EN ISO 1461
POWDER COATED: IF REQUESTED

**Jacksons
Fencing**

Stowting Common, Near Ashford,
Kent. TN25 6BN
Telephone: 01233 750393
Fax: 01233 750403
www.jacksons-fencing.co.uk

This Drawing Is The Property Of H.S. Jackson & Son (Fencing) Ltd, And May
Not Be Copied Or Reproduced In Any Way Without Prior Written Permission.

DO NOT SCALE – IF IN DOUBT ASK

- ⑦ 19/02/2020 NEW BORDER + NOTES UPDATED
- ⑥ 25/06/2018 BASEPLATE OPTION
- ⑤ 07/02/15 1 No. Extra Clip added
- ④ 25/02/11 50mm Wire Centres
- ③ 04/01/10 Panels Corrected

Drawn S.leeper

Date 15/06/2006

Checked Chris J

Size A3 Scale 1:20 U.O.S

TITLE

SALES DRAWING
2m HIGH EUROGUARD REGULAR FENCE

CUSTOMER

ACK No.

Drawing No.

J6/01058
Sheet 3