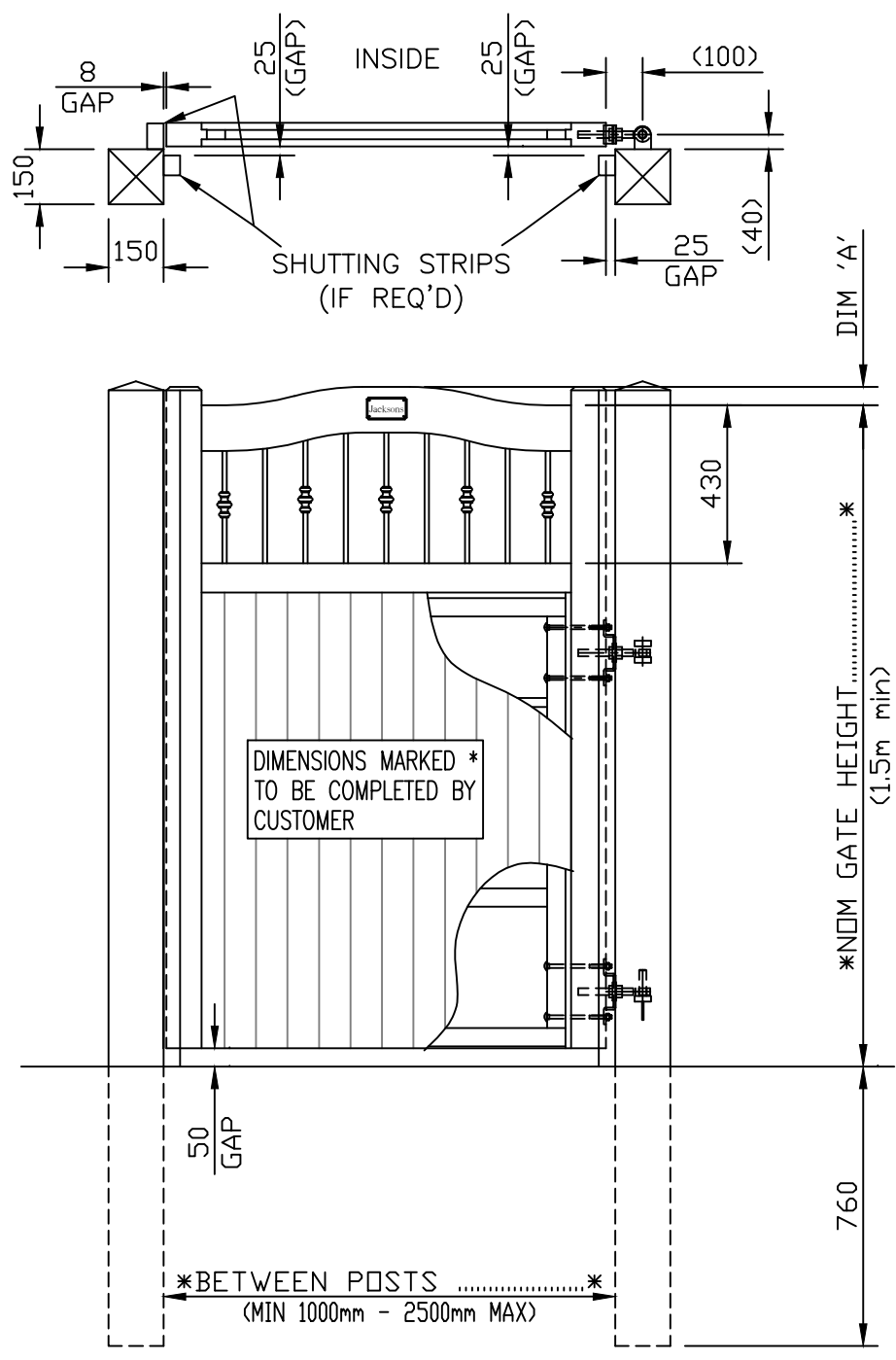
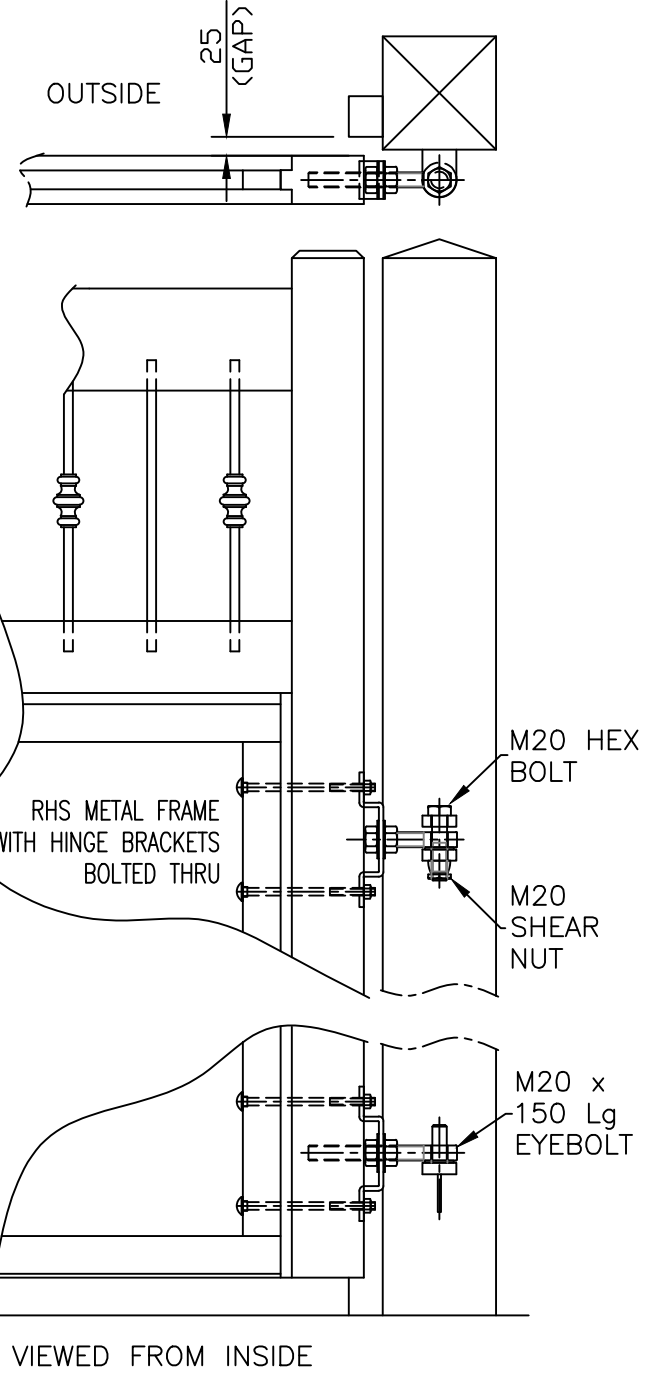
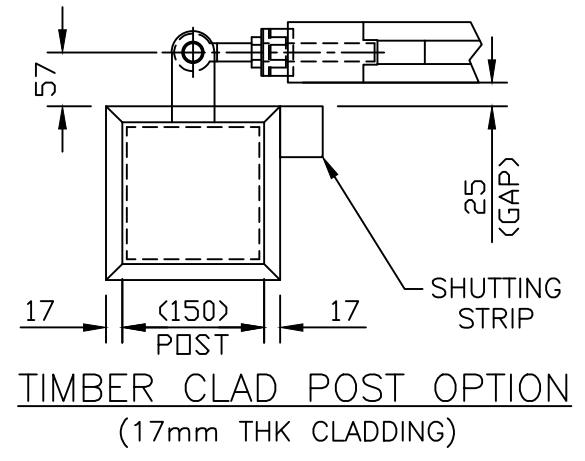


CUSTOMER NAME:
 ACK No.
 SALESMAN:
 LEFT or RIGHT HAND HANG:
 SPECIAL INSTRUCTIONS:



VIEWED FROM OUTSIDE
 GATES OPEN AWAY FROM VIEWER
 RIGHT HAND HANG (SHOWN)

MAXIMUM HEIGHT MAY
 CHANGE TO SUIT HEIGHT TO
 WIDTH RATIO



CURVED RAIL HEIGHT RANGE	
BETWEEN POSTS	DIM 'A'
FROM 1000mm TO 1299mm	50mm
FROM 1300mm TO 1599mm	80mm
FROM 1600mm TO 2500mm	120mm

NOTES.

ALL DIMENSIONS ARE IN mm (UNO)
 GAPS UNDER GATES & FENCING
 ARE NOMINAL DUE TO GROUND LEVELS.
MATERIALS.
 GATE POSTS: 150 x 150 SHS
 PALES: ø12 MS BAR (BLACK UNO)
FINISH.
 TIMBER: JAKCURED
 GALVANISED TO BS EN ISO 1461
 POWDER COATED: IF REQUESTED

GATES CAN BE SUPPLIED WITH
 OPTIONAL FITTINGS PACK,
 WHICH INCLUDES:
 RING LATCH
 DROPBOLT & RECEIVER
 STOP POST & CABIN HOOK

JACKSONS RESERVE THE RIGHT TO
 CHANGE THE STANDARD DESIGN TO
 IMPROVE THE PRODUCT AT ANY TIME

Drawn WB	Checked	7 13/05/2018 EYEBOLT FIXINGS CORRECTED
Date 19/12/06	Size A3	6 03/05/2017 BORDER + BOT MID RAIL
Scale 1:20 U.O.S		5 10/01/17 SHEAR NUT REV'D

DO NOT SCALE – IF IN DOUBT ASK



Stowting Common, Near Ashford, Kent. TN25 6BN
 Telephone: 01233 750393 Fax: 01233 750403
 Int. Tel: +44 (0)1233 750393
 www.jacksons-fencing.co.uk
 www.jacksons-security.co.uk

TITLE SALES DRAWING – SINGLE
 HYTHE TOPPER RAILING COURTYARD GATES

CUSTOMER Drawing No.
 ACK No. J7/02181