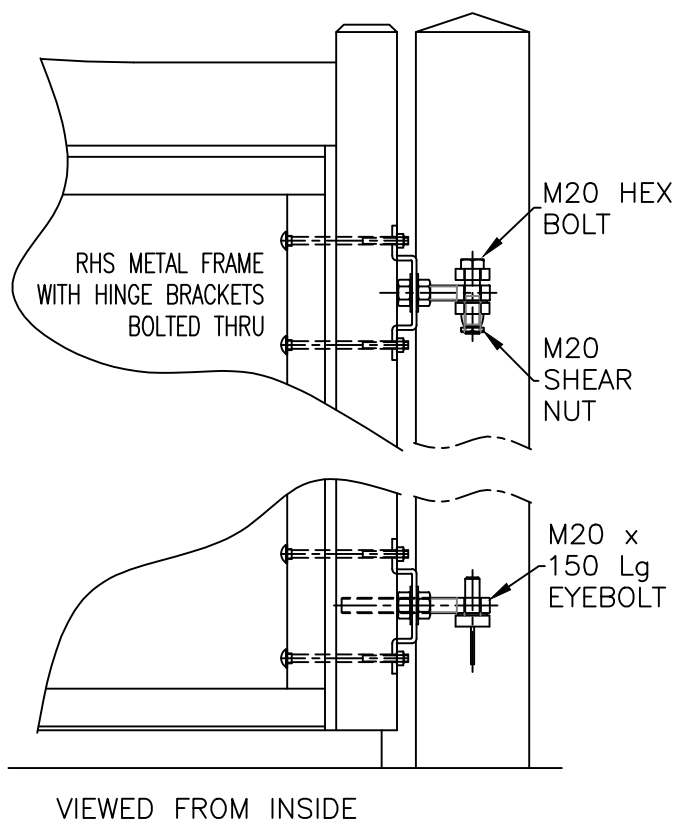
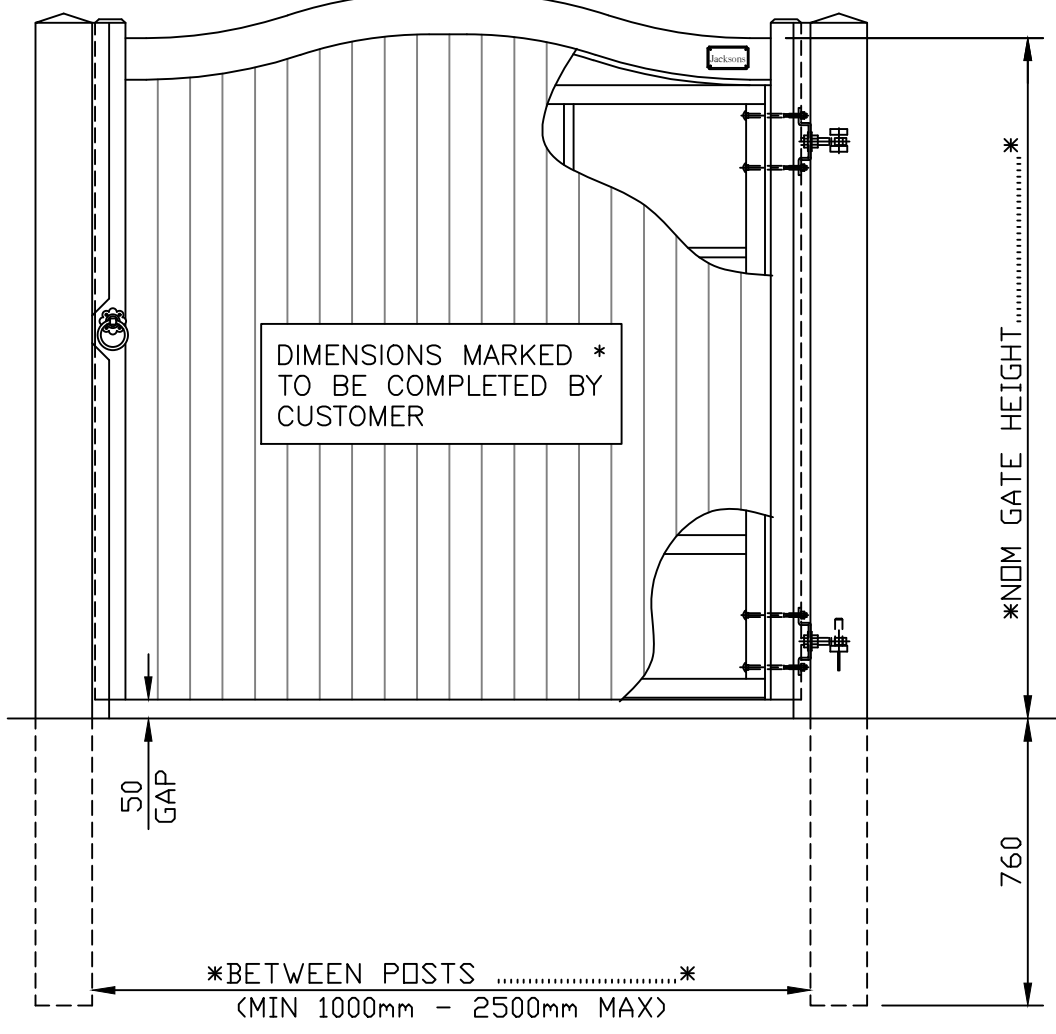
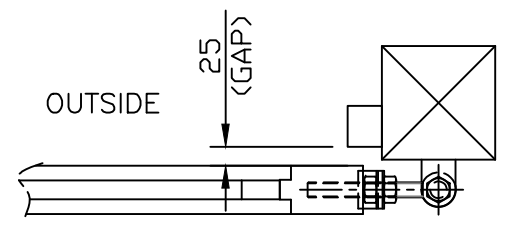
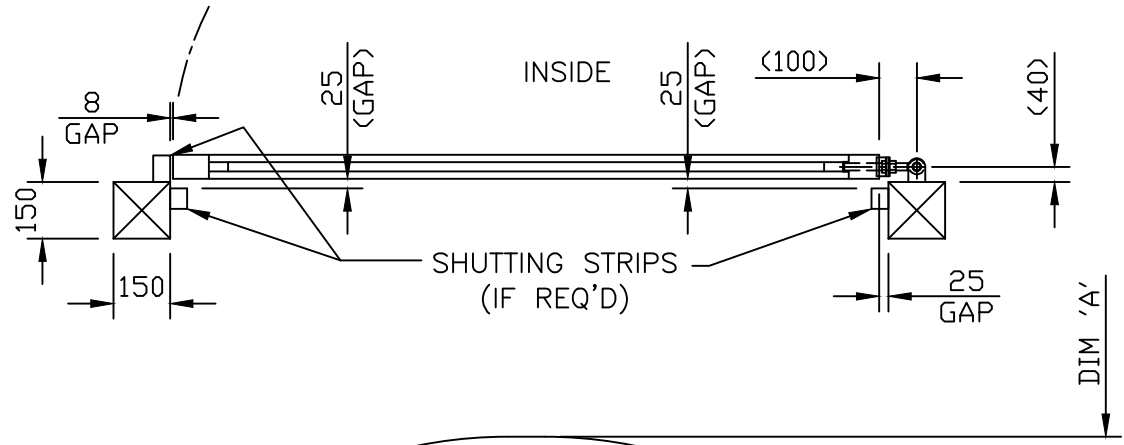
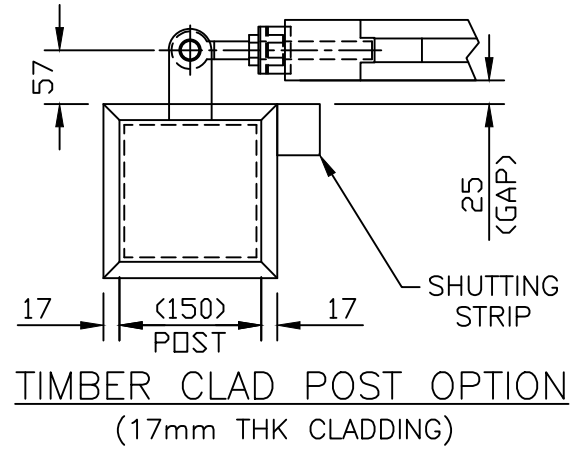


CUSTOMER NAME: .....  
 ACK No. ....  
 SALESMAN: .....  
 LEFT or RIGHT HAND HANG: .....  
 SPECIAL INSTRUCTIONS: .....



VIEWED FROM OUTSIDE  
 GATES OPEN AWAY FROM VIEWER  
 RIGHT HAND HANG (SHOWN)

CURVED RAIL HEIGHT RANGE	
BETWEEN POSTS	DIM 'A'
FROM 1000mm TO 1299mm	50mm
FROM 1300mm TO 1599mm	80mm
FROM 1600mm TO 2500mm	120mm

**NOTES.**

ALL DIMENSIONS ARE IN mm (UNO)  
 GAPS UNDER GATES & FENCING  
 ARE NOMINAL DUE TO GROUND LEVELS.

**MATERIALS.**

GATE POSTS: 150 x 150 SHS

**FINISH.**

TIMBER: JAKCURED  
 GALVANISED TO BS EN ISO 1461  
 POWDER COATED: IF REQUESTED

GATES CAN BE SUPPLIED WITH  
 OPTIONAL FITTINGS PACK,  
 WHICH INCLUDES:  
 RING LATCH  
 DROPBOLT & RECEIVER  
 STOP POST & CABIN HOOK

JACKSONS RESERVE THE RIGHT TO  
 CHANGE THE STANDARD DESIGN TO  
 IMPROVE THE PRODUCT AT ANY TIME

Drawn NM	Checked	9 01/05/2018 EYEBOLT FIXINGS CORRECTED
Date 24/09/01	Size A3	8 02/05/2017 BORDER + BOT MID RAIL
Scale 1:20 U.O.S		7 10/01/17 Shear nut rev'd

DO NOT SCALE - IF IN DOUBT ASK



Stowting Common, Near Ashford, Kent. TN25 6BN  
 Telephone: 01233 750393 Fax: 01233 750403  
 Int. Tel: +44 (0)1233 750393  
 www.jacksons-fencing.co.uk  
 www.jacksons-security.co.uk

TITLE SALES DRAWING - SINGLE  
 HYTHE COURTYARD GATES

CUSTOMER Drawing No.  
 ACK No. J7/02167