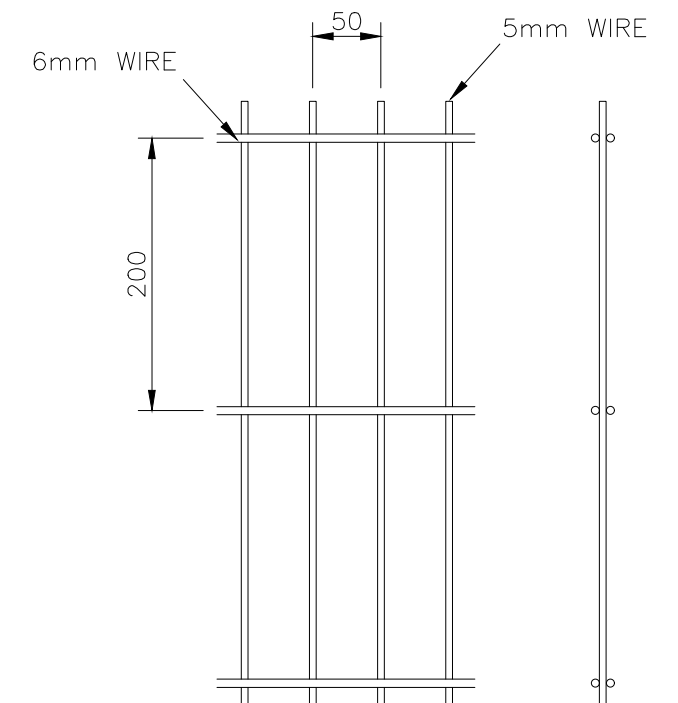
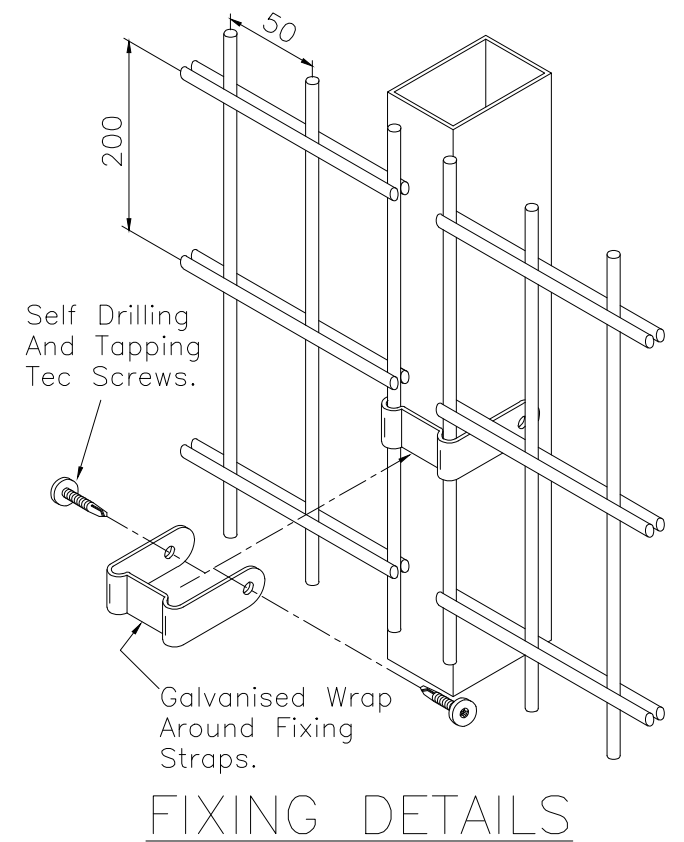
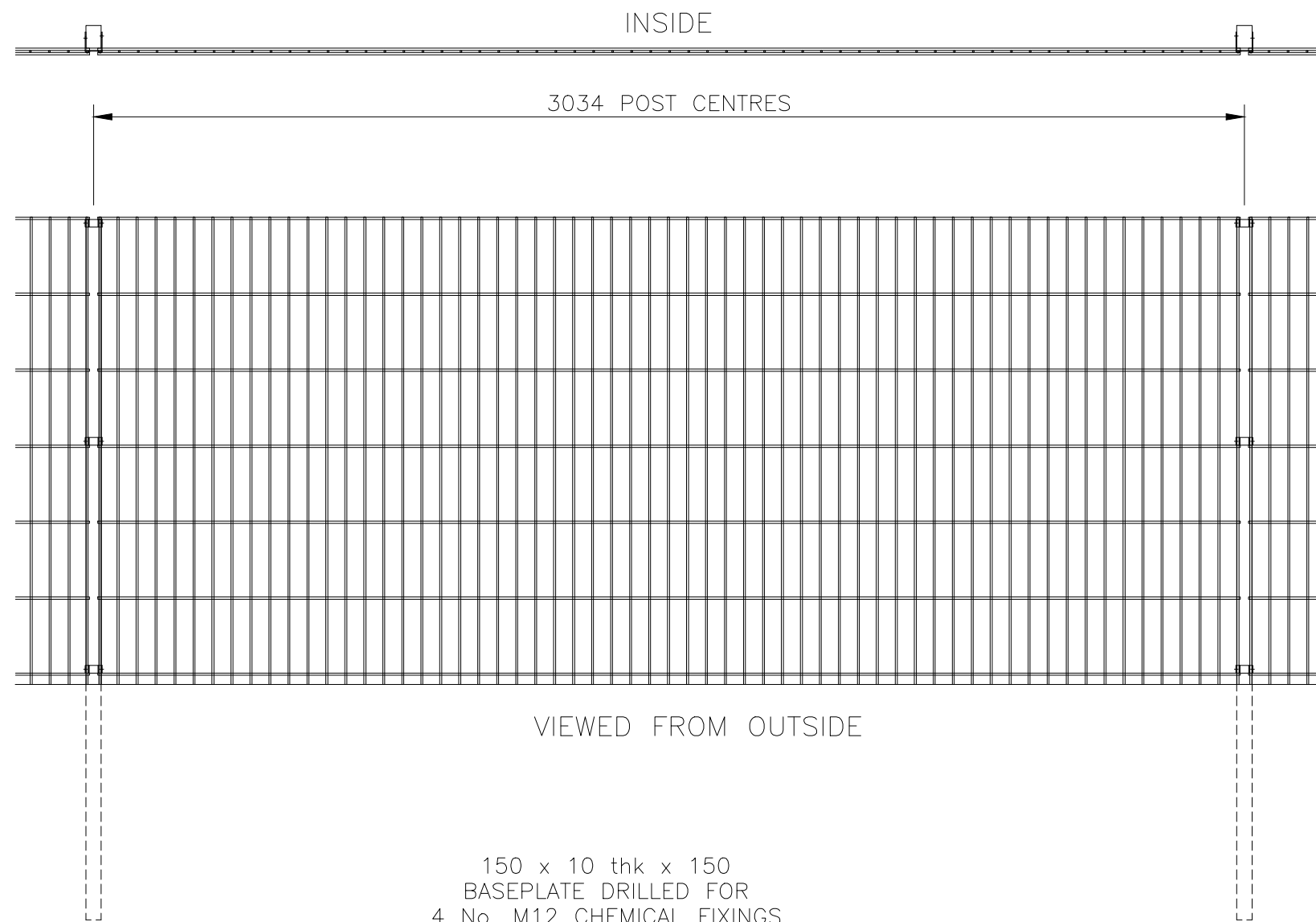


DO NOT SCALE – IF IN DOUBT ASK



NOTES.

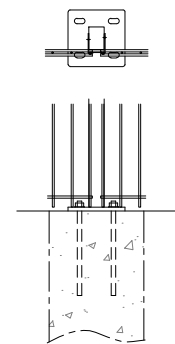
ALL DIMENSIONS ARE IN mm (U.N.O)
GAPS UNDERNEATH GATES & FENCING
ARE NOMINAL DUE TO GROUND LEVELS.

Materials.

FENCE POSTS – 60 x 40 RHS
HORIZONTAL WIRES – ϕ 6mm
VERTICAL WIRES – ϕ 5mm

Finish.

GALVANISED TO BS EN ISO 1461:1999
POWDER COATED: IF REQUIRED



BASEPLATED POSTS
(OPTIONAL)

Jacksons
FINE FENCING

Stowting Common
Near Ashford,
KENT. TN25 6BN
Telephone : 01233 750393
Fax: 01233 750403
Int. Tel : +44 (0)1233 750393

This Drawing Is The Property Of H.S. Jackson & Son (Fencing) Ltd.
And May Not Be Copied Or Reproduced In Any Way Without Prior Written Permission.

- ⑥ 25/06/2018 BASEPLATE OPTION
- ⑤ 13/08/11 SPIKES TO BOTTOM
- ④ 28/02/11 50mm Wire Centres
- ③ 06/12/10 RE-DRAWN

Drawn	WB	TITLE	SALES DRAWING FOR EUROGUARD
Date	06/12/10		PLATFORM MEDIUM FENCING 1.23m HIGH
Checked		CUSTOMER	Drawing No.
Size	A3	ACK No.	10 J6/01060
Scale	1:16 U.O.S		Sheet 2 of 5