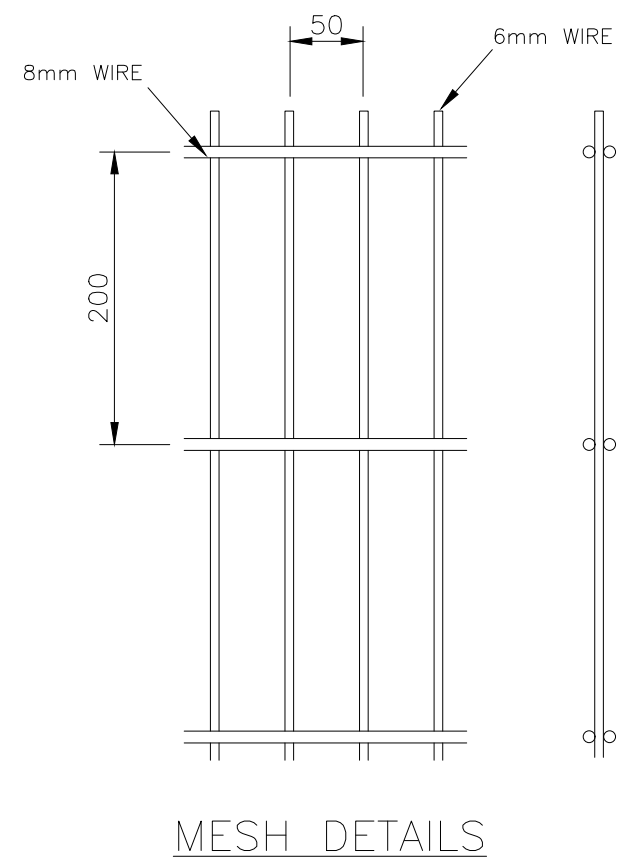
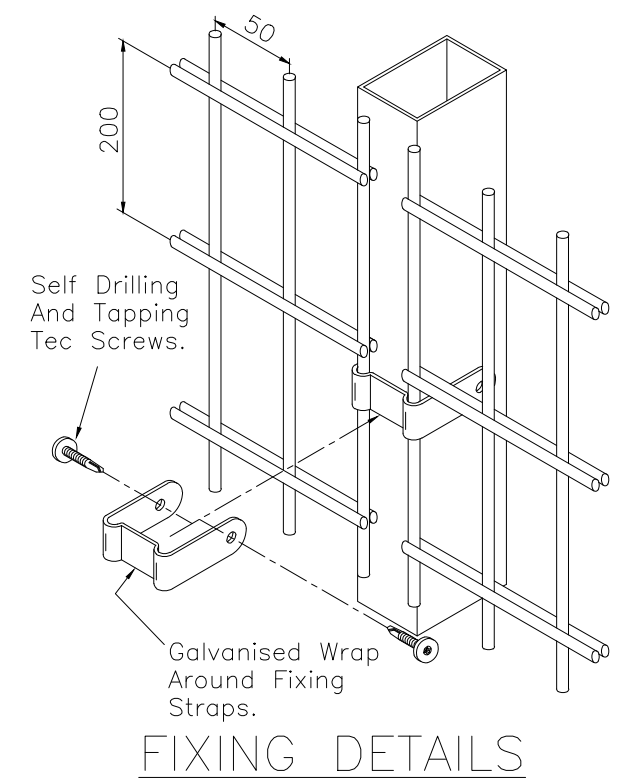
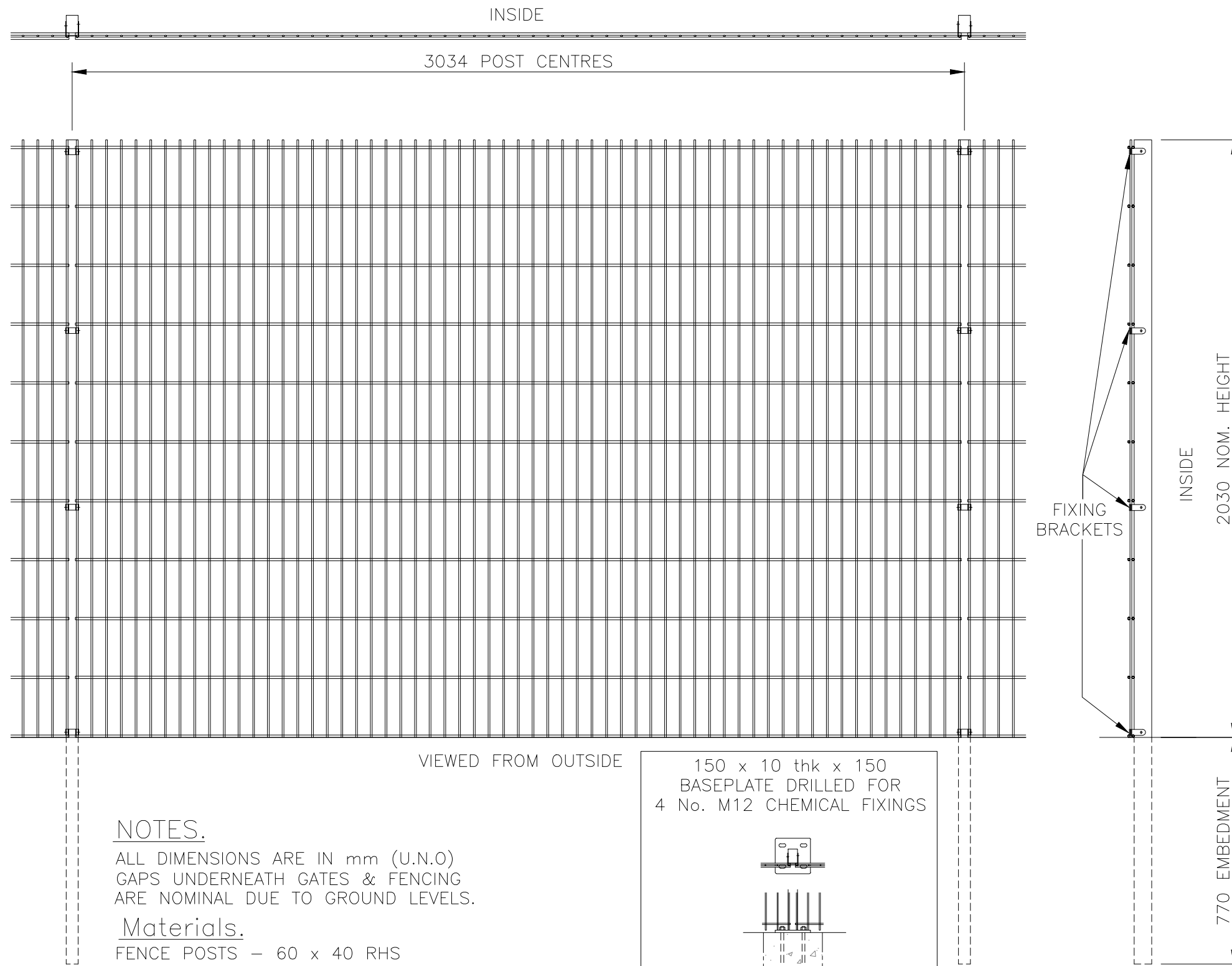


DO NOT SCALE – IF IN DOUBT ASK



NOTES.

ALL DIMENSIONS ARE IN mm (U.N.O)  
GAPS UNDERNEATH GATES & FENCING  
ARE NOMINAL DUE TO GROUND LEVELS.

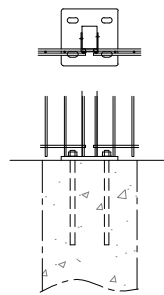
Materials.

FENCE POSTS – 60 x 40 RHS  
HORIZONTAL WIRES –  $\phi$ 8mm  
VERTICAL WIRES –  $\phi$ 6mm

Finish.

GALVANISED TO BS EN ISO 1461:1999  
POWDER COATED: IF REQUIRED

150 x 10 thk x 150  
BASEPLATE DRILLED FOR  
4 No. M12 CHEMICAL FIXINGS



BASEPLATED POSTS  
(OPTIONAL)

**Jacksons**  
**FINE FENCING**

Stowting Common  
Near Ashford,  
KENT. TN25 6BN

Telephone : 01233 750393  
Fax: 01233 750403  
Int. Tel : +44 (0)1233 750393

This Drawing Is The Property Of H.S. Jackson & Son (Fencing) Ltd.  
And May Not Be Copied Or Reproduced In Any Way Without Prior Written Permission.

- ⑥ 26/06/2018 BASEPLATE OPTION
- ⑤ 07/02/15 1 No. Clip Added
- ④ 01/03/11 50mm Wire Centres
- ③ 07/12/10 RE-DRAWN

Drawn	WB
Date	07/12/10
Checked	
Size	A3
Scale	1:16 U.O.S

TITLE	SALES DRAWING FOR EUROGUARD PLATFORM HEAVY FENCING 2.03m HIGH	
CUSTOMER		
ACK No.		
Drawing No.	10 J6/01061	
	Sheet 1 of 2	