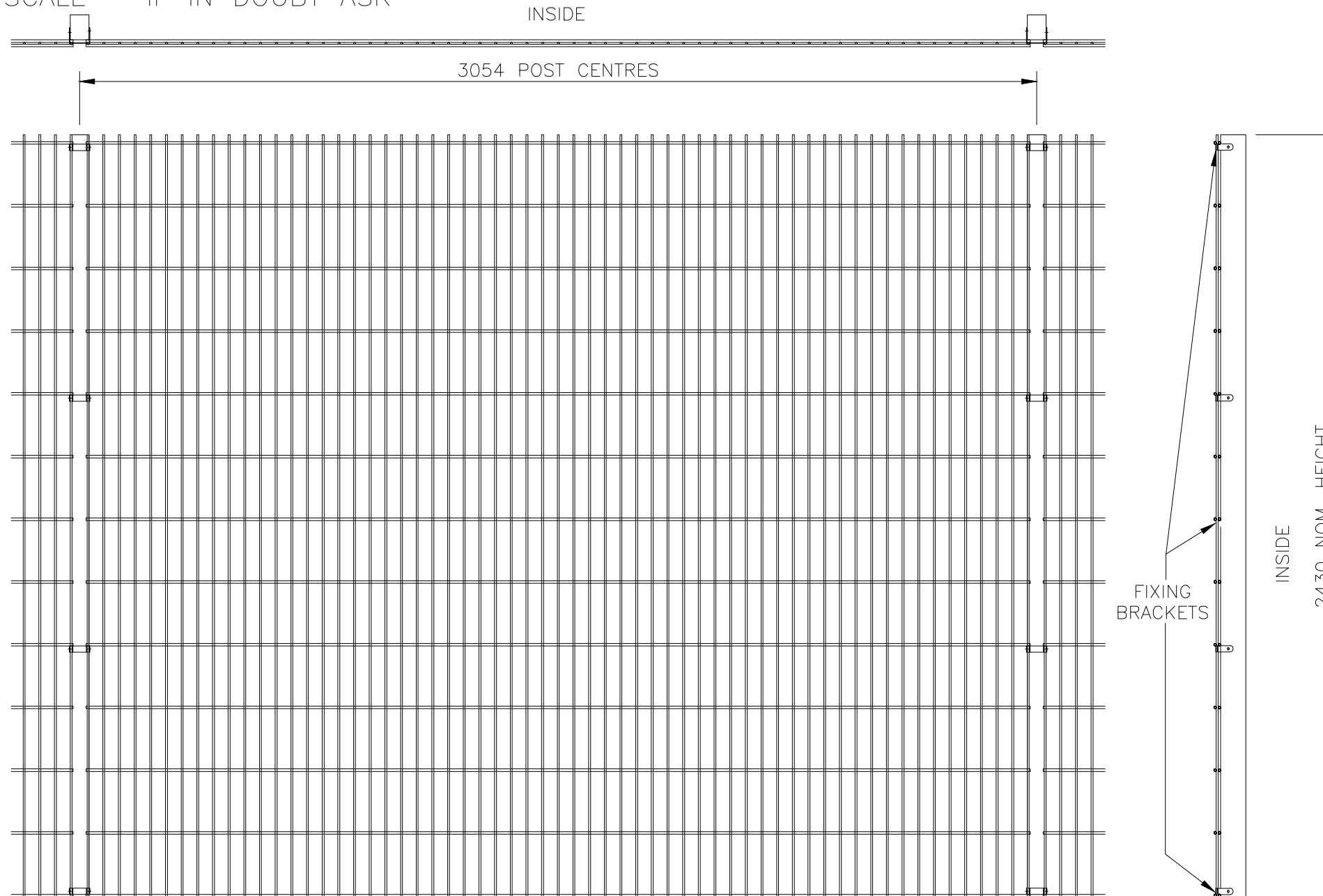


DO NOT SCALE – IF IN DOUBT ASK



VIEWED FROM OUTSIDE

NOTES.

ALL DIMENSIONS ARE IN mm (U.N.O)  
GAPS UNDERNEATH GATES & FENCING  
ARE NOMINAL DUE TO GROUND LEVELS.

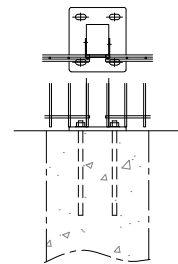
Materials.

FENCE POSTS – 80 x 60 RHS  
HORIZONTAL WIRES –  $\varnothing$ 8mm  
VERTICAL WIRES –  $\varnothing$ 6mm

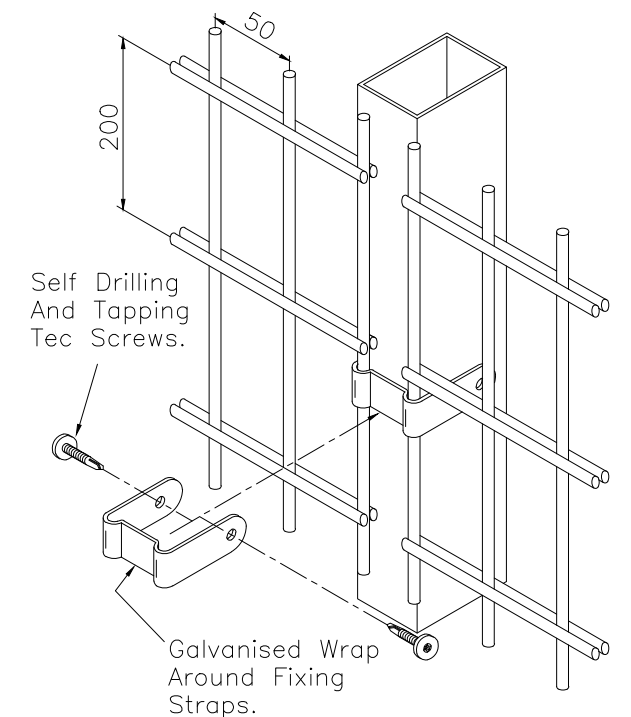
Finish.

GALVANISED TO BS EN ISO 1461:1999  
POWDER COATED: IF REQUIRED

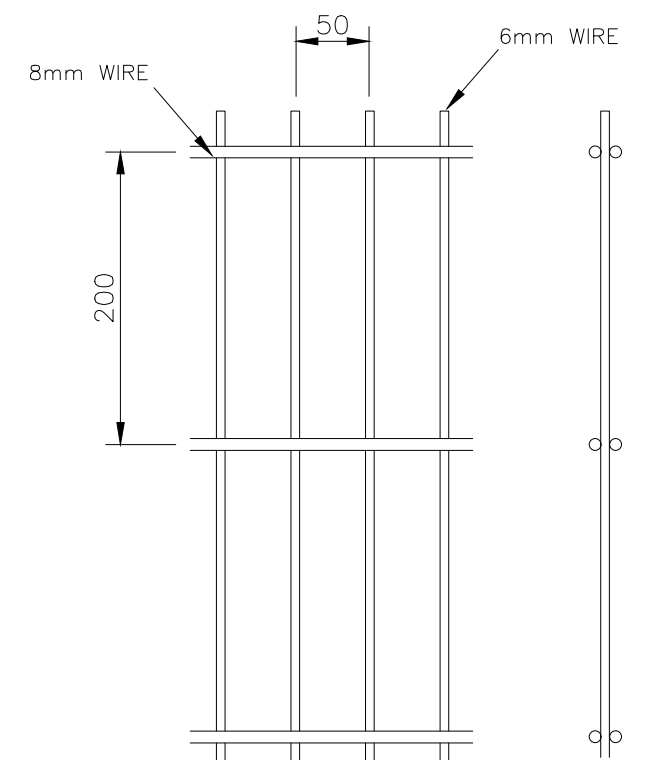
150 x 10 thk x 170  
BASEPLATE DRILLED FOR  
4 No. M12 CHEMICAL FIXINGS



BASEPLATED POSTS  
(OPTIONAL)



FIXING DETAILS



MESH DETAILS

**Jacksons**  
**FINE FENCING**

Stowting Common  
Near Ashford,  
KENT. TN25 6BN

Telephone : 01233 750393  
Fax: 01233 750403  
Int. Tel : +44 (0)1233 750393

This Drawing Is The Property Of H.S. Jackson & Son (Fencing) Ltd.  
And May Not Be Copied Or Reproduced In Any Way Without Prior Written Permission.

- ⑤ 26/06/2018 BASEPLATE OPTION
- ④ 01/03/11 50mm Wire Centres
- ③ 07/12/10 RE-DRAWN

Drawn	WB
Date	07/12/10
Checked	
Size	A3
Scale	1:16 U.O.S

TITLE	SALES DRAWING FOR EUROGUARD PLATFORM HEAVY FENCING 2.43m HIGH
CUSTOMER	
ACK No.	
Drawing No.	10 J6/01061
	Sheet 2 of 2