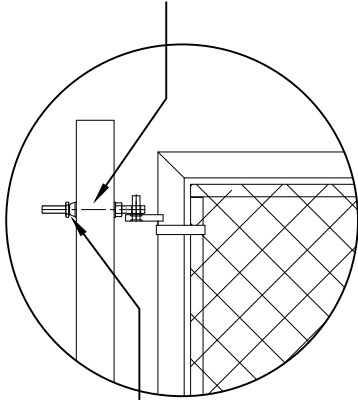
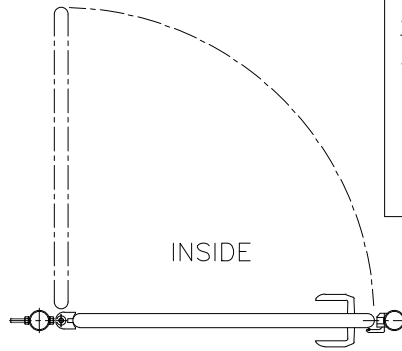


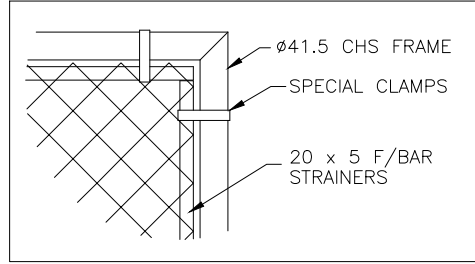
DRILL 2 No.  $\phi 14$  HOLES THRU' HANG POST FOR M12 EYEBOLTS.



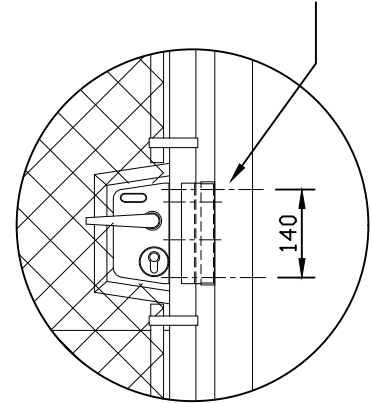
TIGHTEN NUT UNTIL IT SHEARS, LEAVING JUST THE DOME.



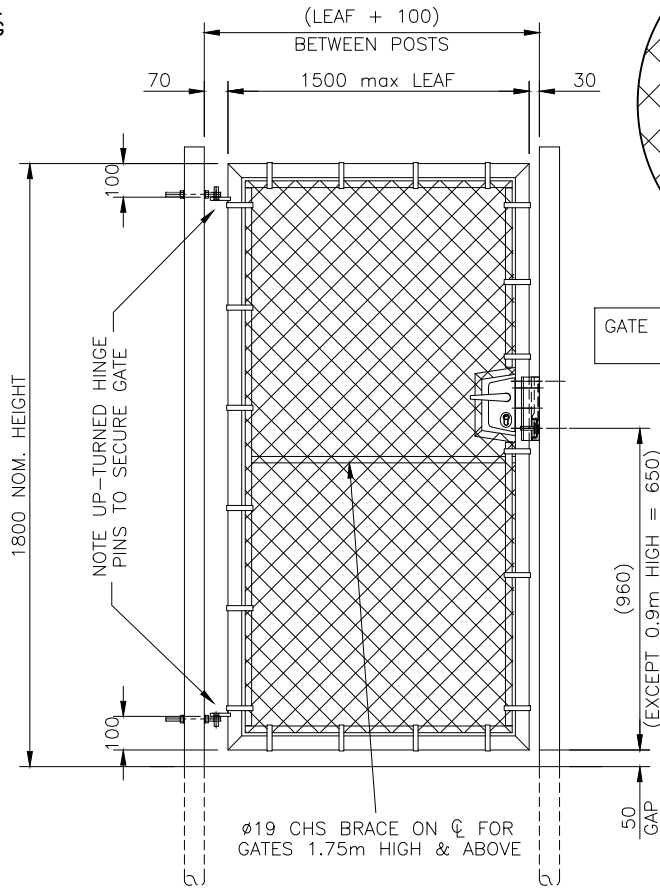
GATE HUNG ON STANDARD  $\phi 60.3$  CHS FENCE POSTS (POSTS TO BE DRILLED TO SUIT FOR M12 EYEBOLTS & LOCK KEEP)



DRILL 2 No.  $\phi 14$  HOLES THRU' SLAM POST FOR M12 BOLTS



GATE SECURED USING KEY LOCK



VIEWED FROM OUTSIDE  
GATE OPENS AWAY FROM VIEWER  
LEFT HAND HANG

CHAINLINK OR WELDMESH INFILL

|                  |         |              |                 |
|------------------|---------|--------------|-----------------|
| Drawn CJ         | Checked | (4) 06/01/11 | NOTES           |
| Date 26/08/04    | Size A3 | (3) 15/02/10 | FITTING DETAILS |
| Scale 1:15 U.O.S |         | (2) 22/10/05 | HINGE DETAIL    |

DO NOT SCALE - IF IN DOUBT ASK

**Jacksons**  
**FINE FENCING**

Stowting Common, Near Ashford,  
KENT. TN25 6BN  
Telephone : 01233 750393  
Fax: 01233 750403  
Int. Tel : +44 (0)1233 750393

|          |   |
|----------|---|
| TITLE    | FULLY WELDED TUBULAR GATE WITH KEY LOCK |
| CUSTOMER | Drawing No. 04 J2/02029L                |
| ACK No.  | Sheet 6 of 7                            |

This Drawing Is The Property Of H.S. Jackson & Son (Fencing) Ltd.  
And May Not Be Copied Or Reproduced In Any Way Without Prior Written Permission.