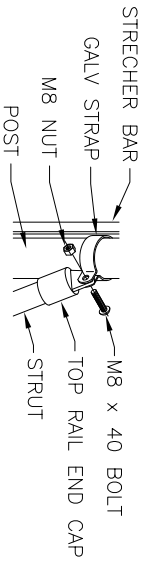
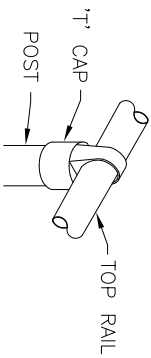


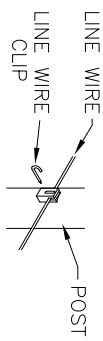
SYSTEM 1, 2 & 3 - END



SYSTEM 1 & 2 - STRUT



SYSTEM 3 - INTER



ALL SYSTEMS - INTER

**NOTES.**

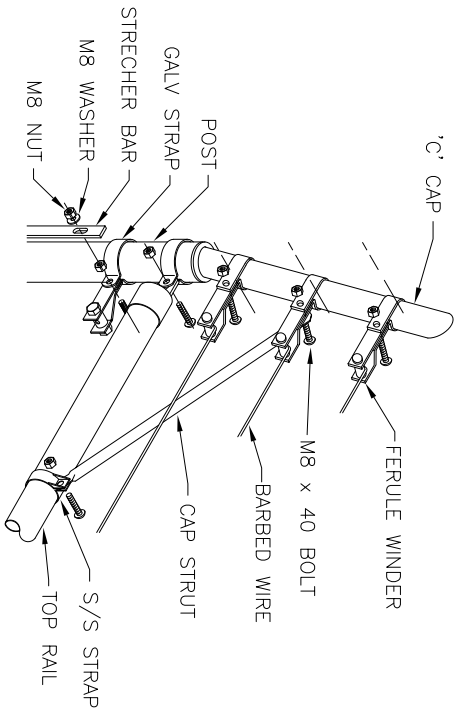
ALL DIMENSIONS ARE IN mm (U.N.O)

**Materials.**

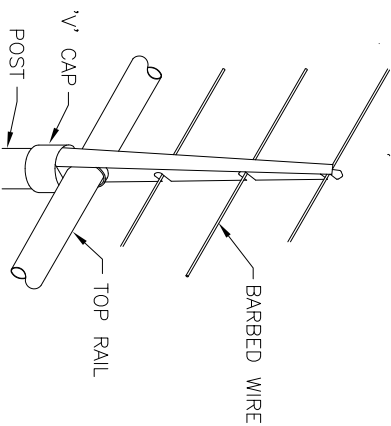
- POSTS -  $\phi$ 41.5 CHS
- $\phi$ 60.3 CHS
- TOP RAIL -  $\phi$ 41.5 CHS
- STRUT -  $\phi$ 41.5 CHS

**Finish.**

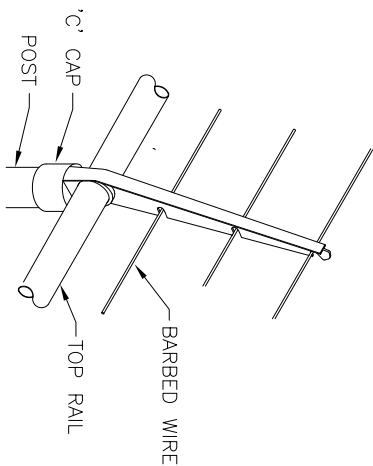
GALVANISED TO BS EN ISO 1461:1999  
POWDER COATED IF REQUIRED



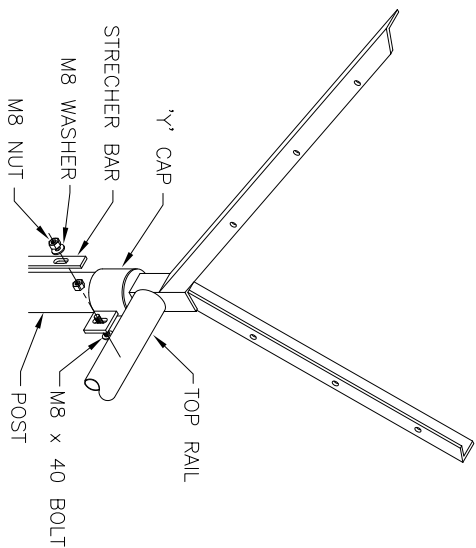
SYSTEM 5 - CORNER/END



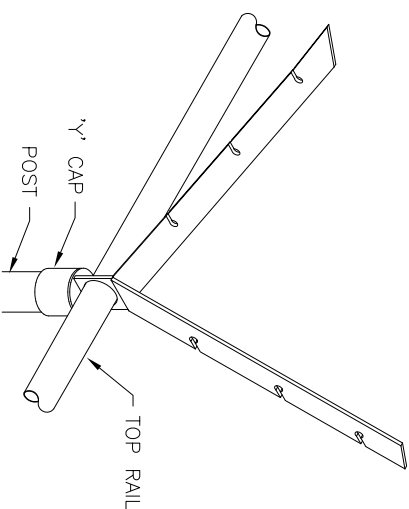
SYSTEM 4 - INTER



SYSTEM 5 - INTER



SYSTEM 6 - CORNER/END



SYSTEM 6 - INTER

**JACKSONS**  
**FINE FENCING**

Stowing Common

Near Ashford,  
KENT, TN25 6BN

Telephone : 01233 750393

Fax: 01233 750403

Int. Tel : +44 (0)1233 750393

This Drawing is The Property of H.S. Jackson & Son (Fencing) Ltd.  
And May Not Be Copied Or Reproduced in Any Way Without Prior Written Permission.

06/01/06 ORIGINAL ISSUE

Drawn WB

Date 06/01/06

Checked

Size A3 Scale 1:10 U.O.S

TITLE

CHAINLINK SYSTEMS 1 - 6  
ISOMETRIC VIEWS

CUSTOMER

ACK No.

Drawing No.

06 J2/01019

Sheet 2 of 2