

DO NOT SCALE – IF IN DOUBT ASK

NOTES.

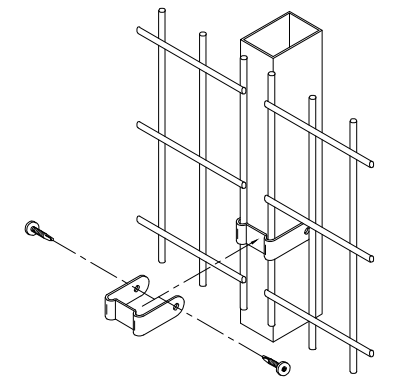
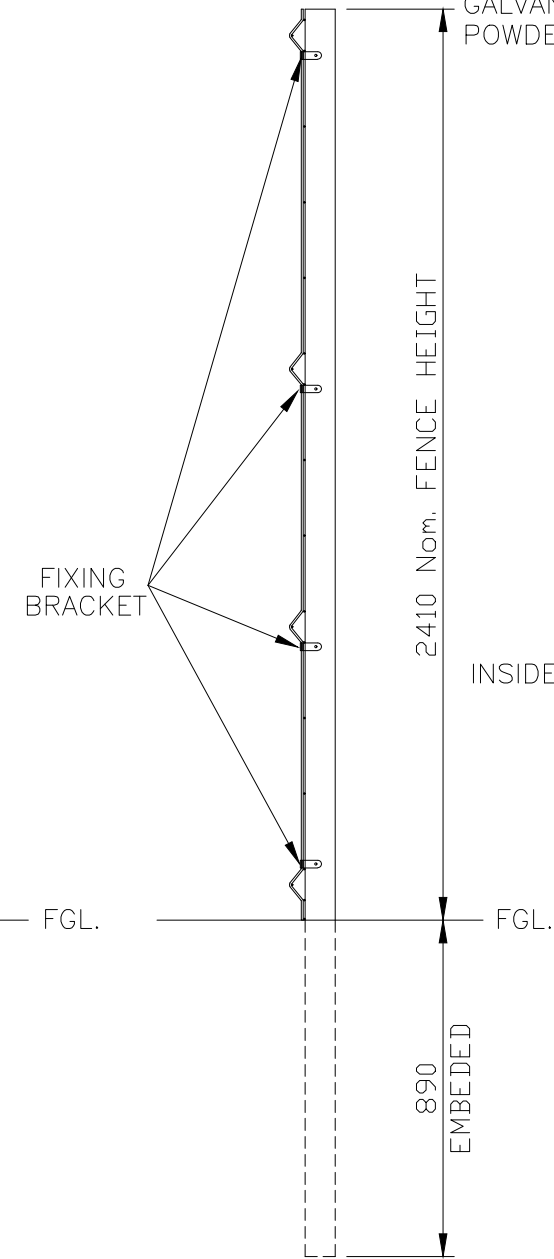
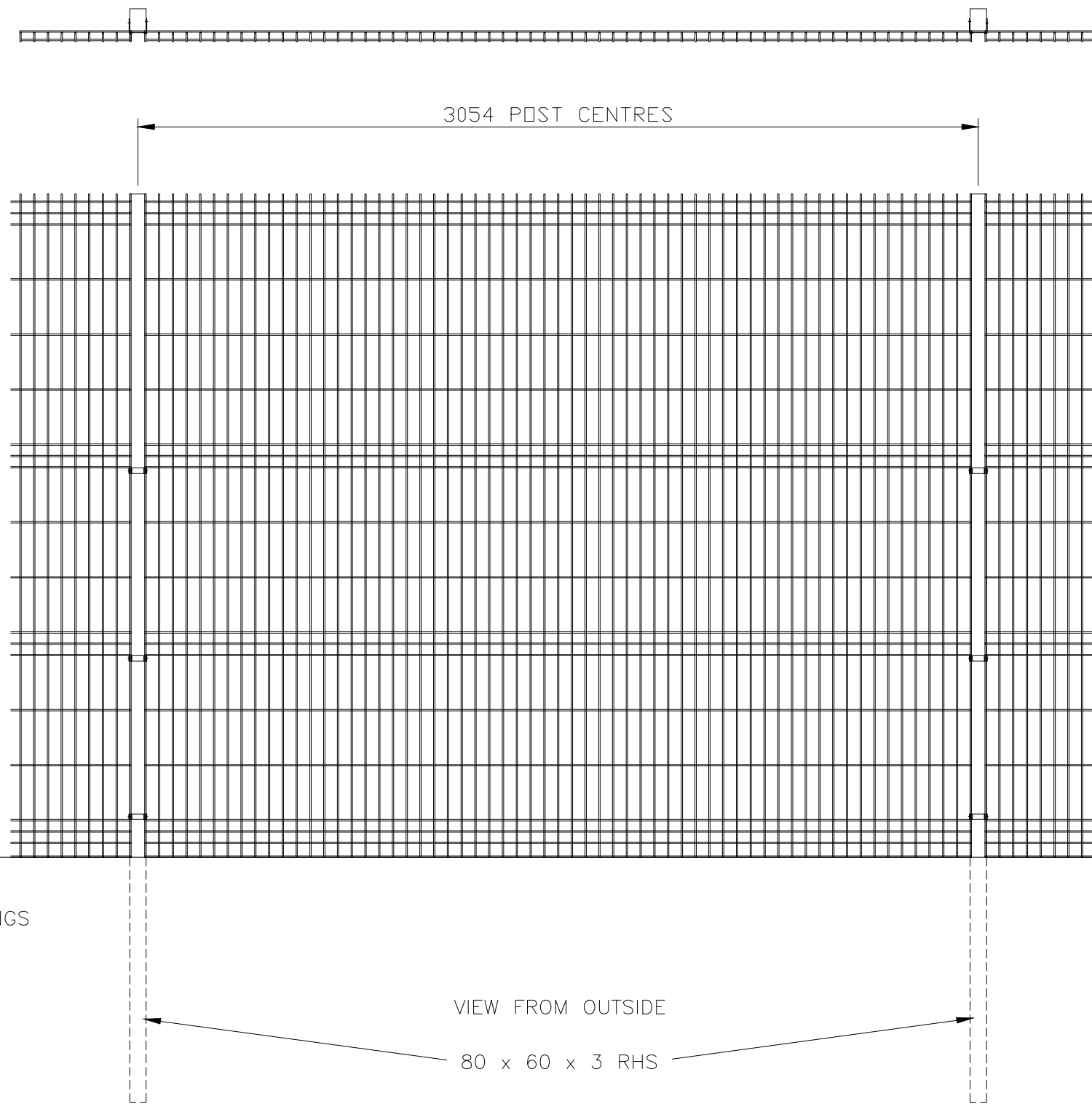
ALL DIMENSIONS ARE IN mm (U.N.O)  
GAPS UNDERNEATH GATES & FENCING  
ARE NOMINAL DUE TO GROUND LEVELS.

Materials.

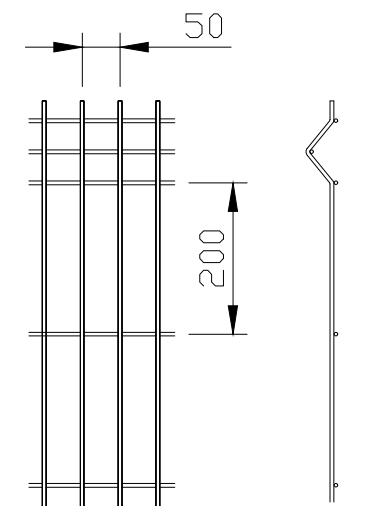
FENCE POSTS – 80 x 60 x 3 RHS

Finish.

GALVANISED TO BS EN ISO 1461:1999  
POWDER COATED: IF REQUIRED

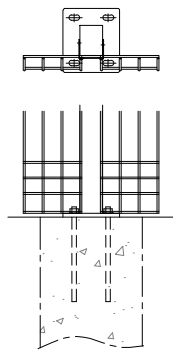


FIXING BRACKET  
DETAIL



MESH DETAILS

150 x 10 thk x 170  
BASEPLATE DRILLED FOR  
4 No. M12 CHEMICAL FIXINGS



BASEPLATED POSTS  
(OPTIONAL)

**Jacksons**  
**FINE FENCING**

Stowting Common  
Near Ashford,  
KENT. TN25 6BN  
Telephone : 01233 750393  
Fax: 01233 750403  
Int. Tel : +44 (0)1233 750393

4	25/02/11	50mm Wire Centres
3	04/01/10	Panels Corrected
2	10/11/09	SHEET No.
1	29/09/08	Panel Width Now 3m
0	15/06/06	Original Issue

Drawn	S.Leeper
Date	15/06/06
Checked	Chris J
Size	A3
Scale	N.T.S U.O.S

TITLE SALES DRAWING FOR REGULAR  
2.4mH EUROGUARD FENCING

CUSTOMER

ACK No.

Drawing No.  
**J6/01058**  
Sheet 4 of 4

This Drawing Is The Property Of H.S. Jackson & Son (Fencing) Ltd.  
And May Not Be Copied Or Reproduced In Any Way Without Prior Written Permission.