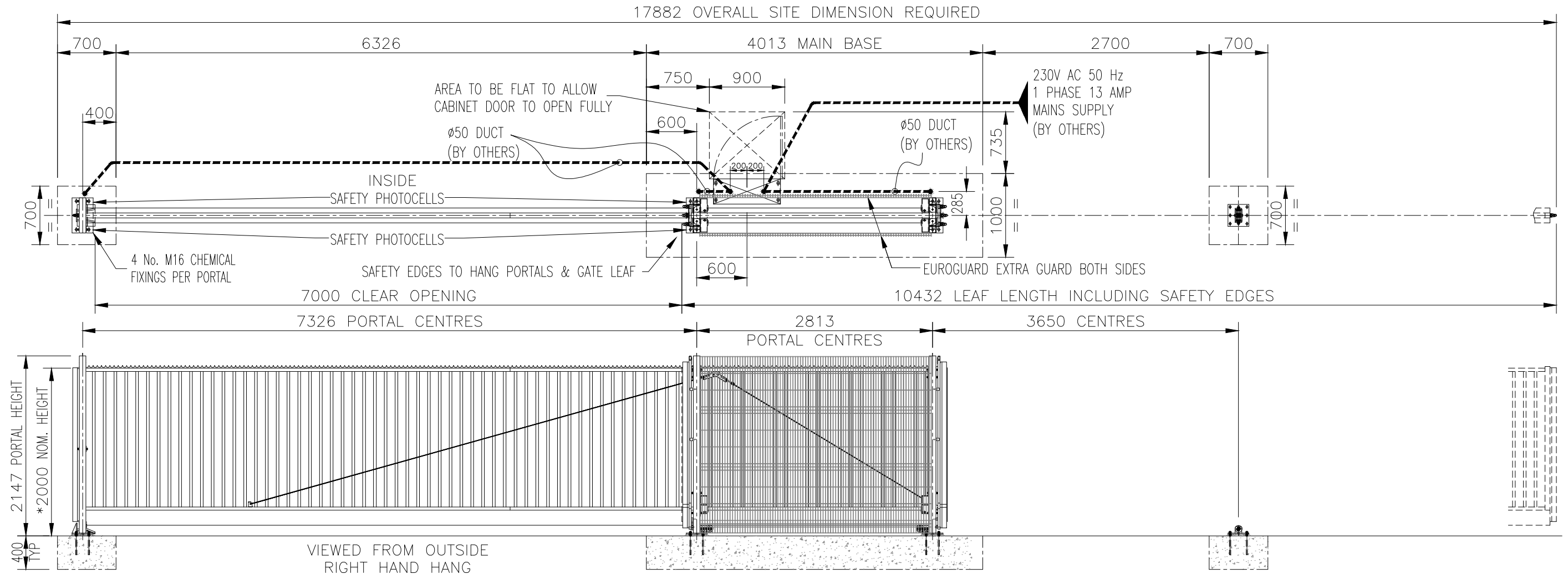


REFER TO DRAWING J1/03087 FOR INSTALLATION DETAILS & PROBLEM SOLVING
 REFER TO DRAWING J1/03095 FOR TYPICAL PERT LAYOUT DETAILS



*GATE ILLUSTRATED IS 2m HIGH, OTHER STANDARD HEIGHTS INCLUDE 1.25m, 1.5m, 1.8m, 2m & 2.5m

<p>NOTES. ALL DIMENSIONS ARE IN mm (UNO) FOUNDATION SIZES ARE THE MINIMUM REQUIRED ASSUMING GROUND BEARING CAPACITY OF 100kN/m² DEVIATION FROM DATUM LEVEL AT TOP OF GATE FOUNDATIONS NOT TO EXCEED ±10</p>	<p>NOMINAL RUNNING CLEARANCE UNDER GATE IS 125mm M16 STUDDING TO BE LEFT 75mm ABOVE FOUNDATION LEVEL M16 NUTS SHOULD BE INSTALLED ABOVE & BELOW BASEPLATES ALLOW 20mm GROUT FOR LEVELLING PORTALS</p>	<p>ALL DUCTING TO HAVE DRAW CORDS INSTALLED. DUCTS TO BE AT LEAST 450mm DEEP UNDER FGL, 600mm DEEP ACROSS ROADWAYS WITH WARNING TAPE INSTALLED 150mm ABOVE DUCTS. THESE DEPTHS ARE MIN. ALL DUCTING MUST BE INSTALLED TO THE GATE PORTALS. DUCTS SHOULD BE 'ANTI-CRUSH' FLEXIBLE DUCTING WITH SWEEP BENDS, NO ELBOWS & ALLOW FOR ADEQUATE ACCESS PITS FOR SERVICING.</p>	<p>All mains cable & low voltage cables where indicated & any ducting required for the complete installation, together with a RCD at the supply point to be INSTALLED & SUPPLIED BY CUSTOMER/CLIENT. The mains supply must be connected, terminated into our control cabinet & a electrical installation certificate raised. The testing electrician must be a qualified to the 17th edition of BS7671 & installed in accordance to Part 'P' of the building regulations. The connection & testing will have to be done at the same time of our installation if done after Jacksons will commission on a temporary supply from a mobile generator.</p>	<p>MATERIALS. PORTALS: 80 x 80 x 3.6 SHS RUNNING TUBE: ø178 x 5 CHS RAILS: 60 x 40 x 2 RHS STILES: 60 x 60 x 2 SHS PALES: ø32 x 1.5 CHS FINISH. GALVANISED TO BS EN ISO 1461 POWDER COATED: IF REQUESTED</p>	<p>TUBES, RAILS, PALES & POSTS UPTO 60 x 60 x 2 etc M.STEEL ERW to BS. EN 10305 PT 3/5 E220 + CR2 + S1 BLACK MATERIAL GATE POSTS & POSTS LARGER THAN 60 x 60 x 2 EN 10219 - S235JR ANGLE IRON & FLAT BAR BS EN 10025 - S275JR CHANNELS etc BS EN 1002 - S275JR</p>
--	--	--	--	--	---

<h1>Jacksons</h1> <h2>FINE FENCING</h2> <p>Stowting Common Near Ashford, KENT. TN25 6BN Telephone : 01233 750393 Fax: 01233 750403 Int. Tel : +44 (0)1233 750393</p> <p>This Drawing Is The Property Of H.S. Jackson & Son (Fencing) Ltd. And May Not Be Copied Or Reproduced In Any Way Without Prior Written Permission.</p>	<p>DO NOT SCALE - IF IN DOUBT ASK</p> <p>① 11/02/16 leaf length increased ② 04/12/13 Original Issue</p>	<p>Drawn WB Date 04/12/13 Checked CJ Size A3 Scale 1:50 U.O.S</p>	<p>TITLE SENTRY CANTILEVER SLIDING SINGLE GATE 129 PITCH AUTOMATED 7m OPENING CUSTOMER ACK No.</p>	<p>Drawing No. J6/03014A Sheet 12A of 18A</p>
--	--	--	---	--