

NOTES.

ALL DIMENSIONS ARE IN mm (U.N.O)

Materials.

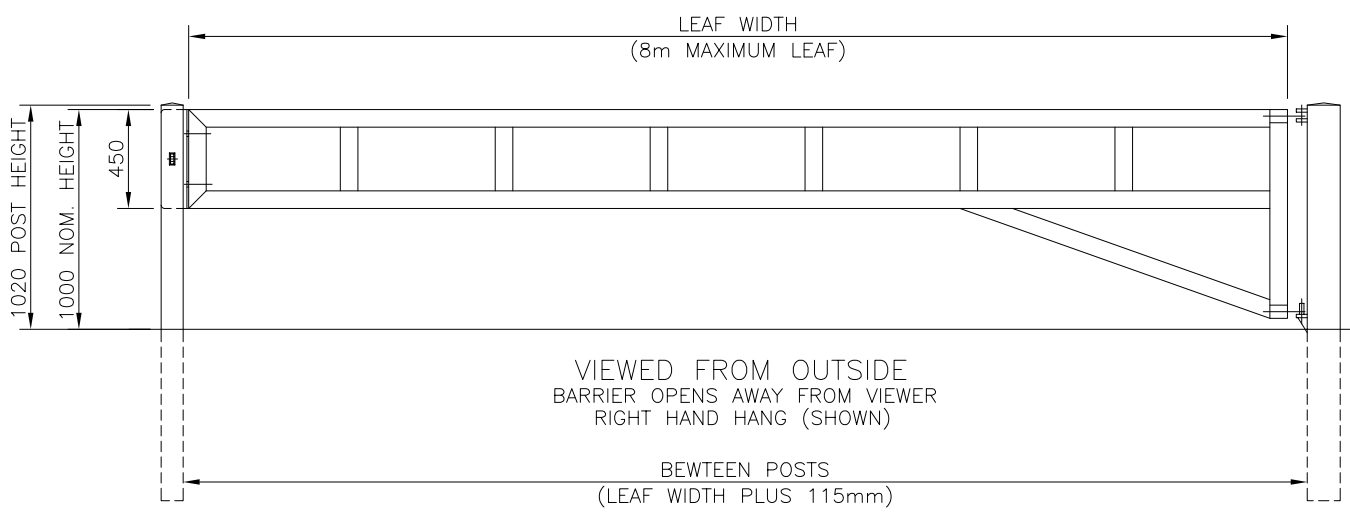
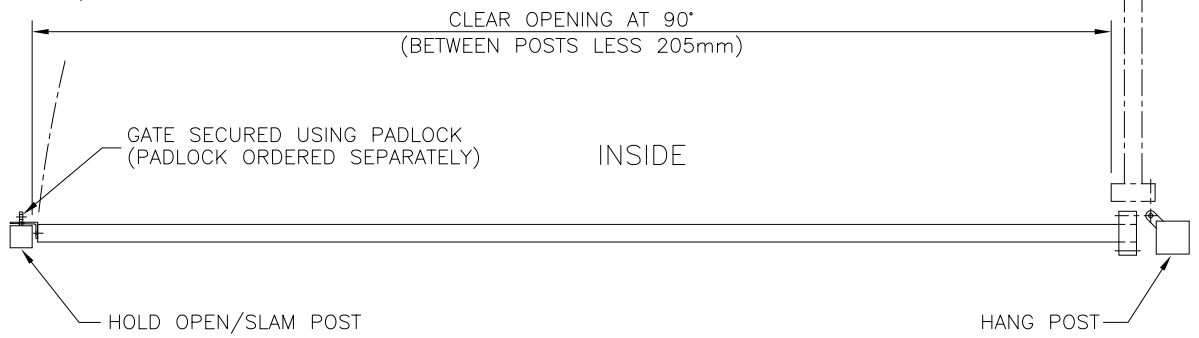
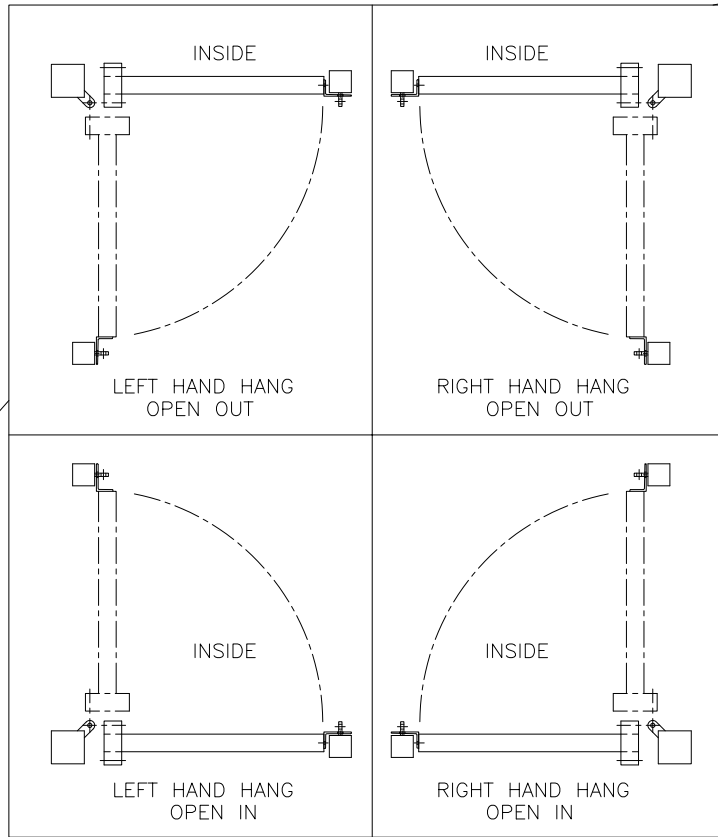
SLAM POST - 100 x 100 x 3 SHS
 HANG POST - 150 x 150 x 4 SHS (UPTO 5m)
 - 200 x 200 x 6.3 SHS (OVER 5m)

GATE FRAME: 80 x 80 x 3.6 SHS
 SLAM ANGLE: 125 x 75 x 8 RSA

Finish.

GALVANISED TO BS EN ISO 1461:1999
 POWDER COATED IF REQUIRED

HOLD OPEN/SLAM POST



| | | | |
|---------------|---------|---------------------|---|
| Drawn WB | Checked | | 18/09/07 Updated Issue 13/01/06 ORIGINAL ISSUE |
| Date 13/01/06 | Size A3 | Scale 1:25 U.O.S | |

DO NOT SCALE - IF IN DOUBT ASK

Jacksons
FINE FENCING

Stowting Common, Near Ashford,
 KENT. TN25 6BN
 Telephone : 01233 750393
 Fax: 01233 750403
 Int. Tel : +44 (0)1233 750393

TITLE SALES DRAWING FOR
 HEAVY DUTY WARDEN BARRIER

CUSTOMER

ACK No.

Drawing No.
 06 J4/02071

This Drawing Is The Property Of H.S. Jackson & Son (Fencing) Ltd.
 And May Not Be Copied Or Reproduced In Any Way Without Prior Written Permission.