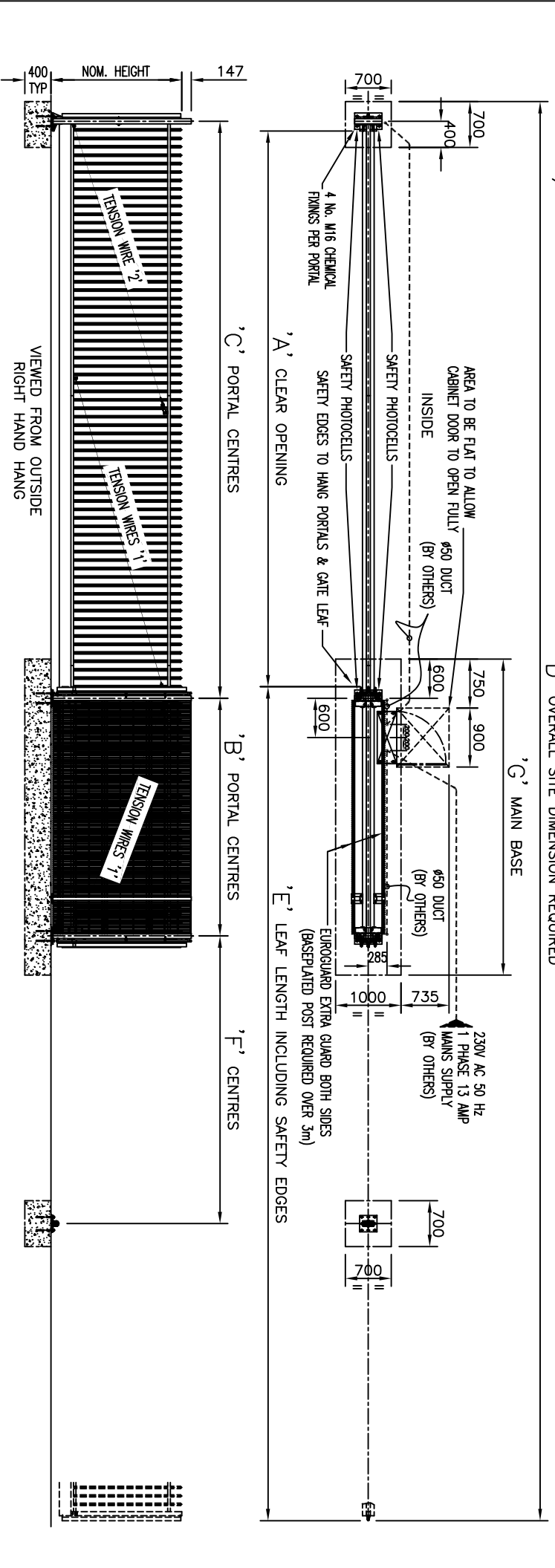


REFER TO DRAWING J1/03087 FOR INSTALLATION DETAILS & PROBLEM SOLVING  
 REFER TO DRAWING J1/03095 FOR TYPICAL PART LAYOUT DETAILS

STANDARD HEIGHTS INCLUDE 1.25m, 1.5m, 1.8m, 2m & 2.5m



'A'	NOMINAL CLEAR OPENING	2m	2.5m	3m	3.5m	4m	4.5m	5m	5.5m	6m	6.5m	7m	7.5m	8m	8.5m	9m	9.5m	10m
'B'	HANG PORTAL CENTRES	1234	1250	1266	1411	1556	1701	1975	2249	2265	2539	2813	2829	3361	3635	3780	3925	4715
'C'	HANG/CLOSE PORTAL CENTRES	2326	2826	3326	3826	4326	4826	5326	5826	6326	6826	7326	7826	8326	8826	9326	9826	10326
'D'	OVERALL SITE DIMENSION	6303	7319	8335	9480	10625	11770	13044	14318	15334	16608	17882	18898	20430	21704	22849	23994	25784
'E'	TOTAL LEAF LENGTH	3853	4369	4885	5530	6175	6820	7594	8368	8884	9658	10432	10948	11980	12754	13399	14044	15334
'F'	SUPPORT WHEEL CENTRES	1250	1500	1750	1900	2100	2350	2650	2900	3150	3400	3650	3900	4150	4400	4700	4900	5000
'G'	MAIN BASE SIZE	2434	2450	2466	2611	2756	2901	3175	3449	3465	3739	4013	4029	4561	4835	4980	5125	5915
	TENSION WIRE REQUIRED	NONE	NONE	NONE	NONE	NONE	1	1	1	1	1	1	1	1	1 & 2	1 & 2	1 & 2	1 & 2

**NOTES:**  
 ALL DIMENSIONS ARE IN mm (UNO)  
 FOUNDATION SIZES ARE THE MINIMUM REQUIRED ASSUMING GROUND BEARING CAPACITY OF 100kN/m<sup>2</sup>  
 DEVIATION FROM DATUM LEVEL AT TOP OF GATE FOUNDATIONS NOT TO EXCEED ±10

**UNDER GATE IS 125mm M16 STUDDING TO BE LEFT 75mm ABOVE FOUNDATION LEVEL**  
**M16 NUTS SHOULD BE INSTALLED ABOVE & BELOW BASEPLATES ALLOW 20mm GROUT FOR LEVELLING PORTALS**

**NOMINAL RUNNING CLEARANCE**  
 ALL DUCTING TO HAVE DRAIN CORDS INSTALLED. DUCTS TO BE AT LEAST 450mm DEEP UNDER FGL, 600mm DEEP ACROSS ROADWAYS WITH WARNING TAPE INSTALLED 150mm ABOVE DUCTS. THESE DEPTHS ARE MIN. ALL DUCTING MUST BE INSTALLED TO THE GATE PORTALS. DUCTS SHOULD BE 'ANTI-CRUSH' FLEXIBLE DUCTING WITH SWEEP BENDS, NO ELBOWS & ALLOW FOR ADEQUATE ACCESS TO EXCEED ±10

**ALL MAINS CABLE & LOW VOLTAGE CABLES WHERE INDICATED & ANY DUCTING REQUIRED FOR THE COMPLETE INSTALLATION, TOGETHER WITH A RCD OF THE SUPPLY POINT TO BE INSTALLED & SUPPLIED BY CUSTOMER/CLIENT. THE MAINS SUPPLY MUST BE CONNECTED, TERMINATED INTO OUR CONTROL CABINET & A ELECTRICAL INSTALLATION CERTIFICATE ISSUED. THE TESTING ELECTRICIAN MUST BE A QUALIFIED TO THE 17th EDITION OF BS7671 & INSTALLED IN ACCORDANCE TO PART 'P' OF THE BUILDING REGULATIONS. THE CONNECTION & TESTING WILL HAVE TO BE DONE AT THE SAME TIME OF OUR INSTALLATION IF DONE AFTER JACKSONS WILL COMMISSION ON A TEMPORARY SUPPLY FROM A MOBILE GENERATOR.**

**MATERIALS:**  
 PORTALS: 80 x 80 x 3.6 SHS  
 RUNNING TUBE: Ø178 x 5 CHS  
 RAILS: 60 x 40 x 2 RRS  
 STILES: 60 x 60 x 2 SHS  
 PALES: 25 x 25 x 1.5 SHS  
 FINISH: GALVANISED TO BS EN ISO 1461 POWDER COATED: IF REQUESTED

**TUBES, RAILS, PALES & POSTS UP TO 60 x 60 x 2 etc. M. STEEL ENW TO BS EN 10205 PT 3/5 E220 + CR2 + S1 BLACK MATERIAL GATE POSTS & POSTS LARGER THAN 60 x 60 x 2 EN 10219 - S235JR ANGLE IRON & FLAT BAR BS EN 10025 - S275JR CHANNELS etc BS EN 1002 - S275JR**

**VIEWED FROM OUTSIDE RIGHT HAND HANG**

**Jacksons**  
**FINE FENCING**

Stowling Common  
 Near Ashford,  
 KENT. TN25 6BN  
 Telephone : 01233 750393  
 Fax: 01233 750403  
 Int. Tel : +44 (0)1233 750393

DO NOT SCALE - IF IN DOUBT ASK

11/02/16 7m leaf length increased  
 28/11/13 Original Issue

Drawn WB  
 Date 28/11/13  
 Checked CJ  
 Size A3  
 Scale NTS  
 U.O.S

TITLE BARBICAN CANTILEVER SLIDING SINGLE GATE  
 129 PITCH AUTOMATED CRIB SHEET

CUSTOMER  
 ACK No.

Drawing No.  
**J1/03118A**  
 Sheet 1A of 18A

This Drawing is the Property of H.S. Jackson & Son (Fencing) Ltd.  
 And May Not Be Copied Or Reproduced in Any Way Without Prior Written Permission.