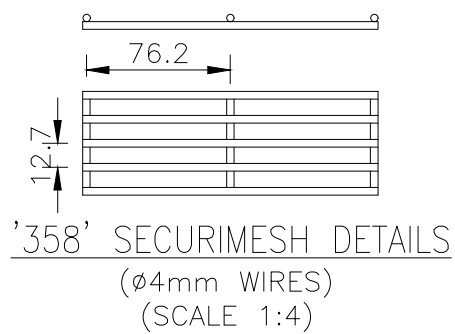


OPTION '1' FIXING  
(FACE FIXED)



NOTES.

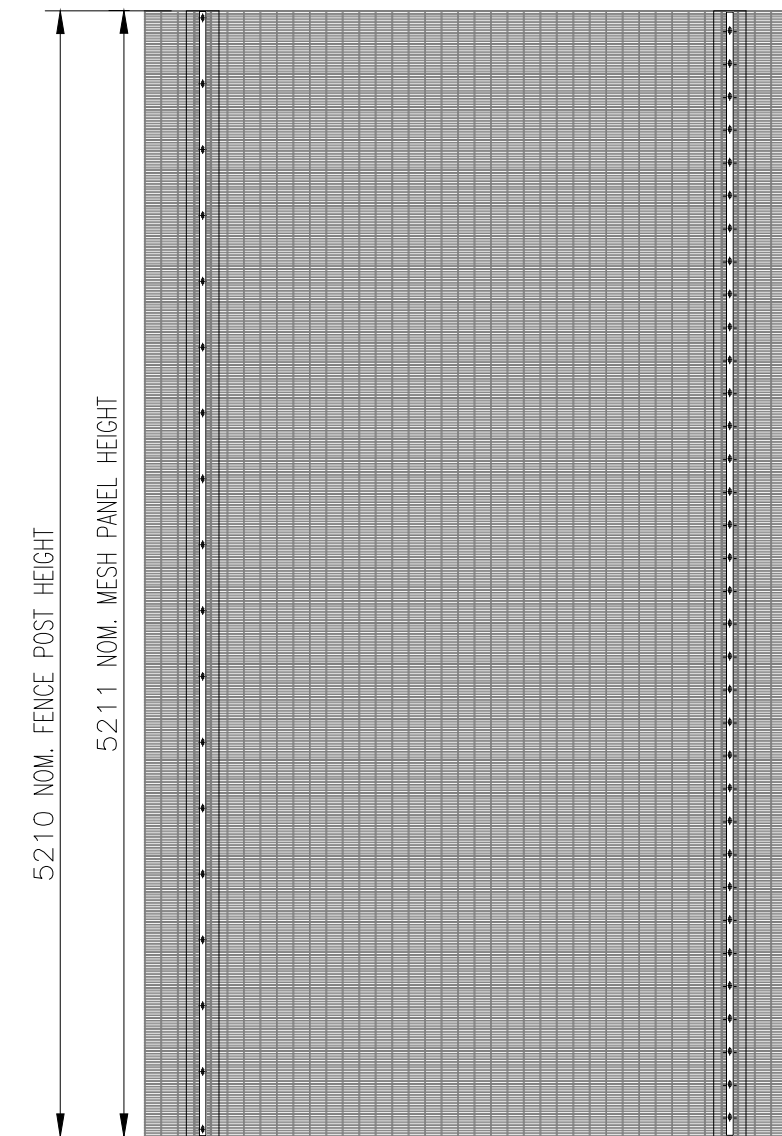
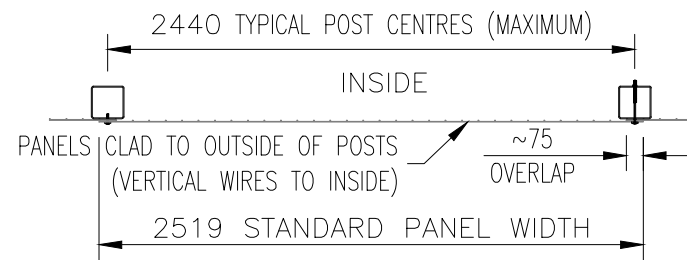
ALL DIMENSIONS ARE IN mm (UNO)  
GAPS UNDER FENCING ARE NOMINAL DUE TO GROUND LEVELS.

MATERIALS.

FENCE POST: 150 x 150 SHS  
CLAMP BARS: 30 x 6 MS FLAT

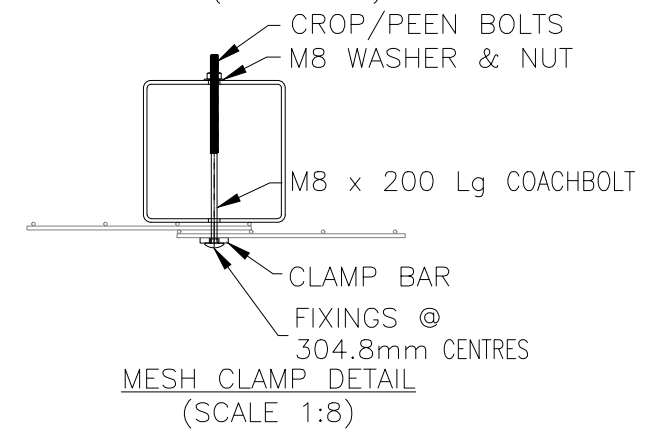
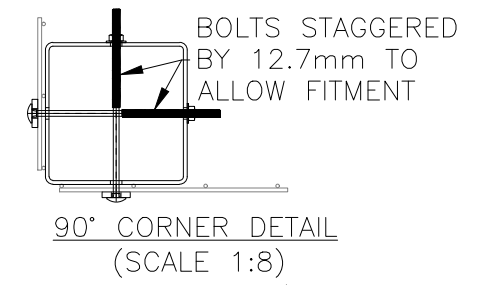
FINISH.

GALVANISED TO BS EN ISO 1461  
POWDER COATED: IF REQUESTED

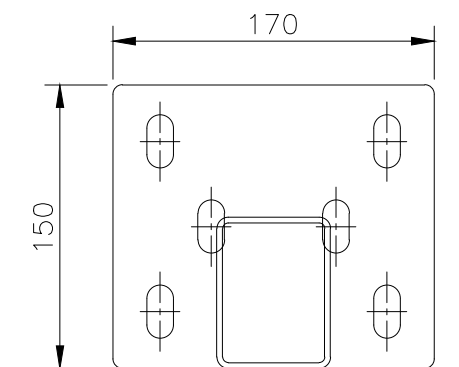


OPTION 'A'  
(304.8mm CENTRES)

OPTION 'B'  
(152.4mm CENTRES)



OPTION '2' FIXING  
(BOLTED THRU)



**Jacksons**  
**FINE FENCING**

Stowting Common  
Near Ashford,  
KENT. TN25 6BN  
Telephone : 01233 750393  
Fax: 01233 750403  
Int. Tel : +44 (0)1233 750393

DO NOT SCALE – IF IN DOUBT ASK

- ⑦ 14/10/2016 MORE DETAILS ADDED
- ⑥ 25/07/16 Clamp Bars & Options Added
- ⑤ 03/02/15 Post Ctrs and Overlap
- ④ 28/01/14 Post Section
- ③ 07/06/13 Mesh detail updated

Drawn WB  
Date 14/10/2016  
Checked CJ  
Size A3 Scale 1:35 U.O.S

TITLE SALES DRAWING  
5.2m HIGH SECURIMESH FENCE  
CUSTOMER  
Drawing No. J6/04030  
ACK No. Sheet 6