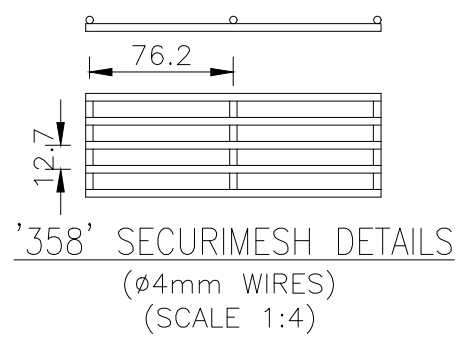


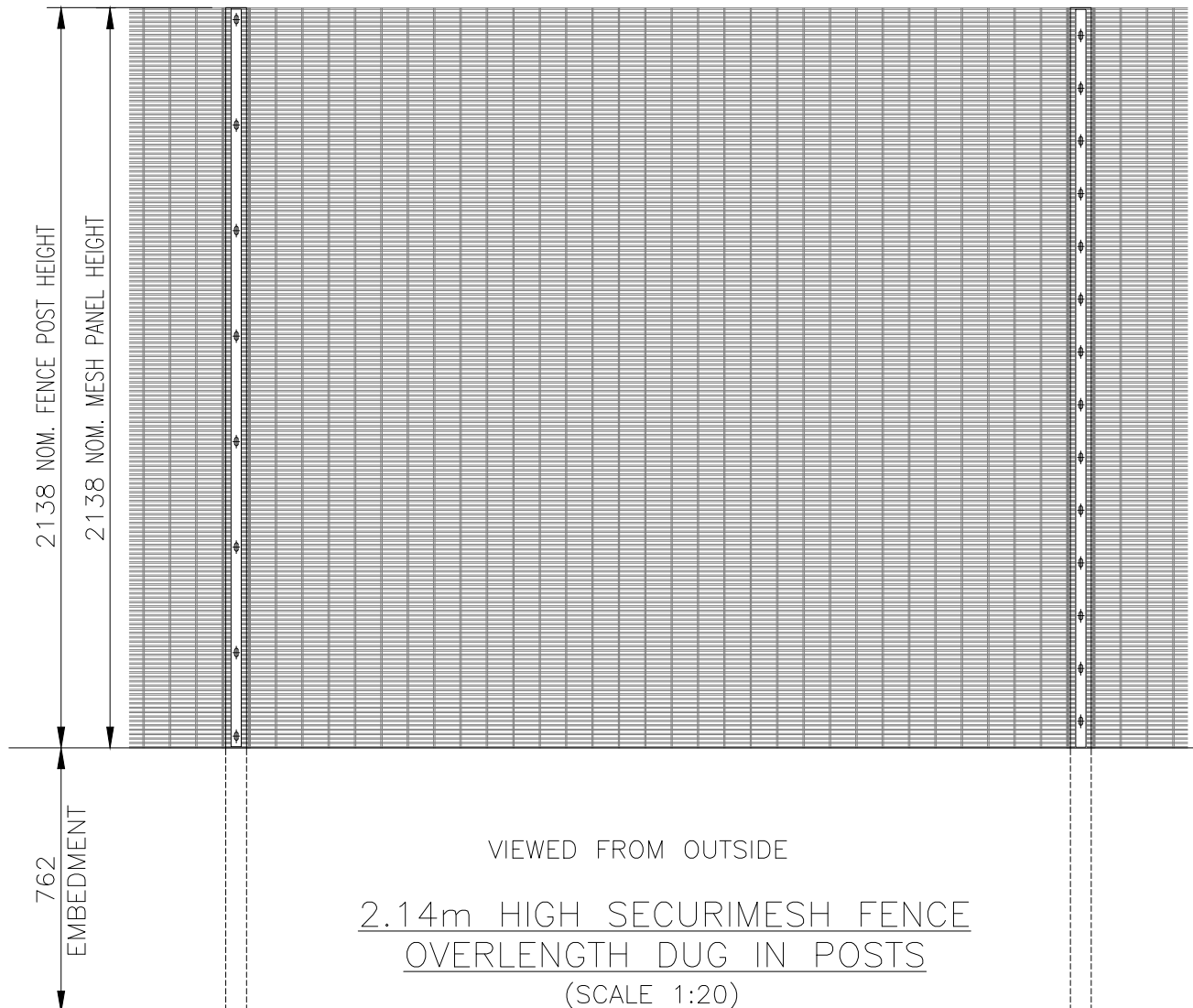
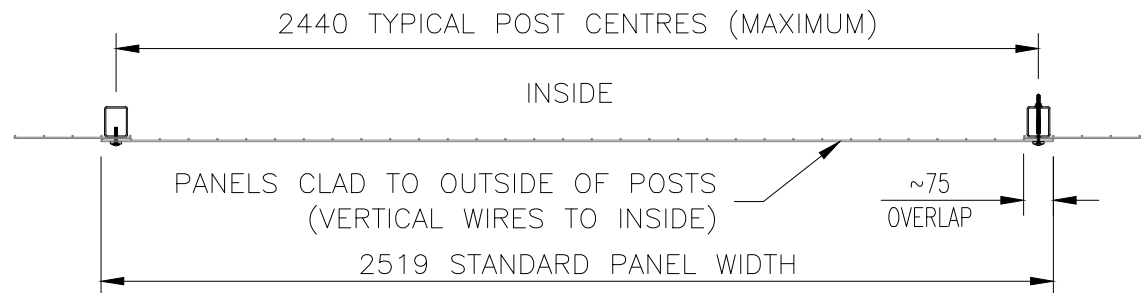
OPTION '1' FIXING  
(FACE FIXED)



**NOTES.**  
ALL DIMENSIONS ARE IN mm (UNO)  
GAPS UNDER FENCING ARE NOMINAL DUE TO GROUND LEVELS.

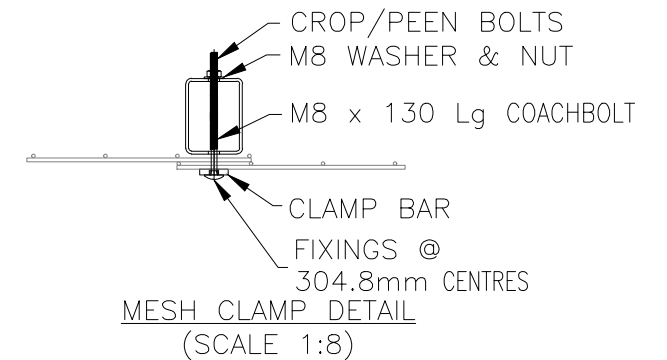
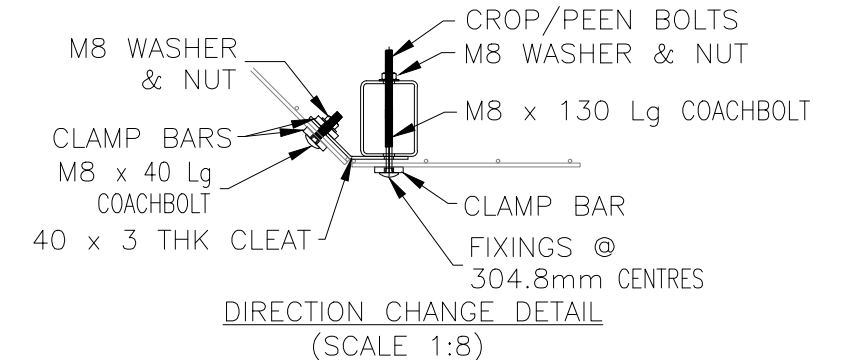
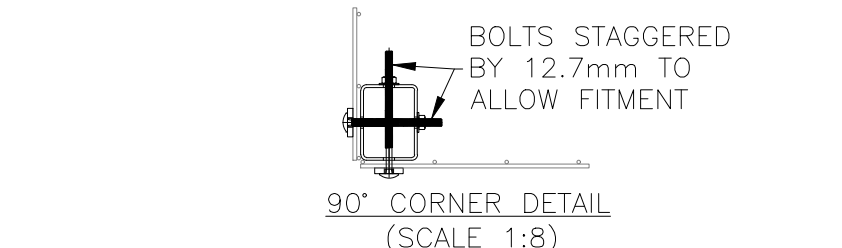
**MATERIALS.**  
FENCE POST: 80 x 60 RHS  
CLAMP BARS: 30 x 6 MS FLAT

**FINISH.**  
GALVANISED TO BS EN ISO 1461  
POWDER COATED: IF REQUESTED

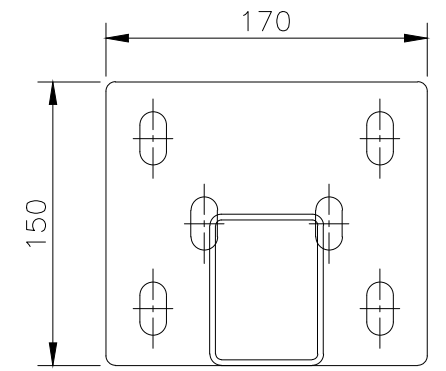


OPTION 'A'  
(304.8mm CENTRES)

OPTION 'B'  
(152.4mm CENTRES)



OPTION '2' FIXING  
(BOLTED THRU)



BASEPLATE POST OPTION  
(SCALE 1:4)

**Jacksons**  
**FINE FENCING**

Stowting Common  
Near Ashford,  
KENT. TN25 6BN  
Telephone : 01233 750393  
Fax: 01233 750403  
Int. Tel : +44 (0)1233 750393

DO NOT SCALE - IF IN DOUBT ASK

6	13/10/2016	MORE DETAILS ADDED
5	25/07/16	Clamp Bars & Options Added
4	03/02/15	Post Ctrs and Overlap
3	28/01/14	General Material Notes
2	07/06/13	Mesh detail updated

Drawn	WB
Date	13/10/2016
Checked	CJ
Size	A3
Scale	1:20 U.O.S

TITLE	SALES DRAWING 2.14m HIGH SECURIMESH FENCE
CUSTOMER	
Drawing No.	J6/04030
ACK No.	Sheet 2

This Drawing Is The Property Of H.S. Jackson & Son (Fencing) Ltd.  
And May Not Be Copied Or Reproduced In Any Way Without Prior Written Permission.