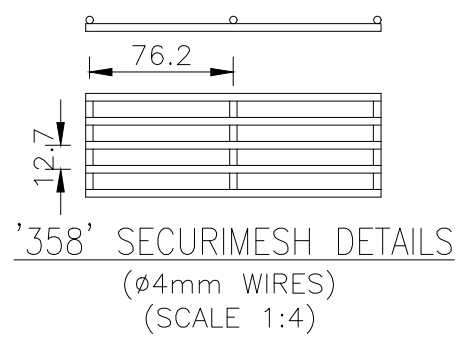


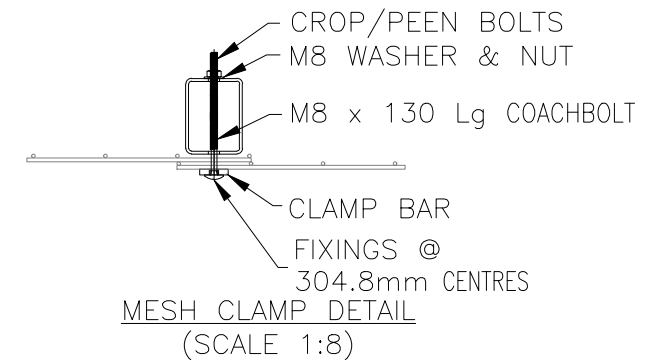
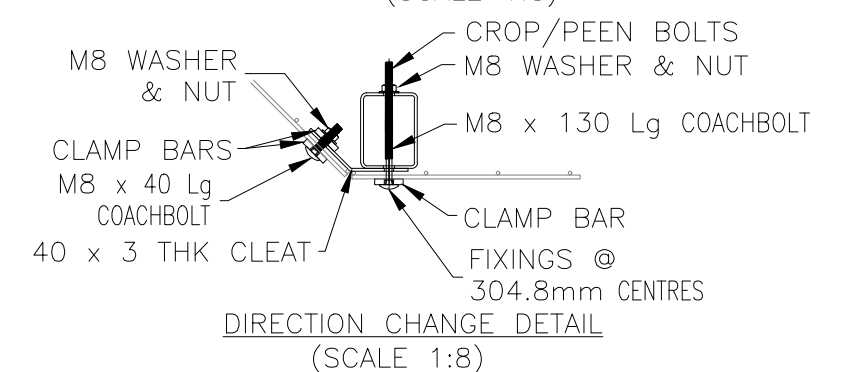
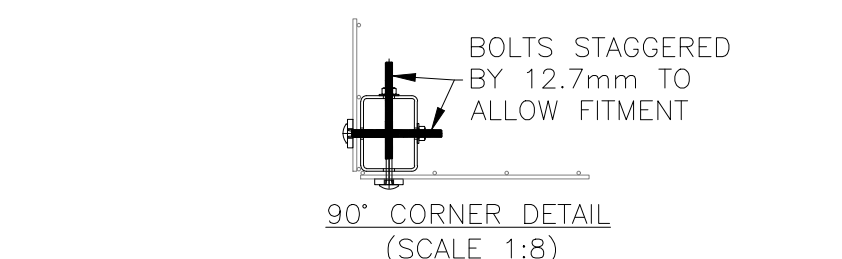
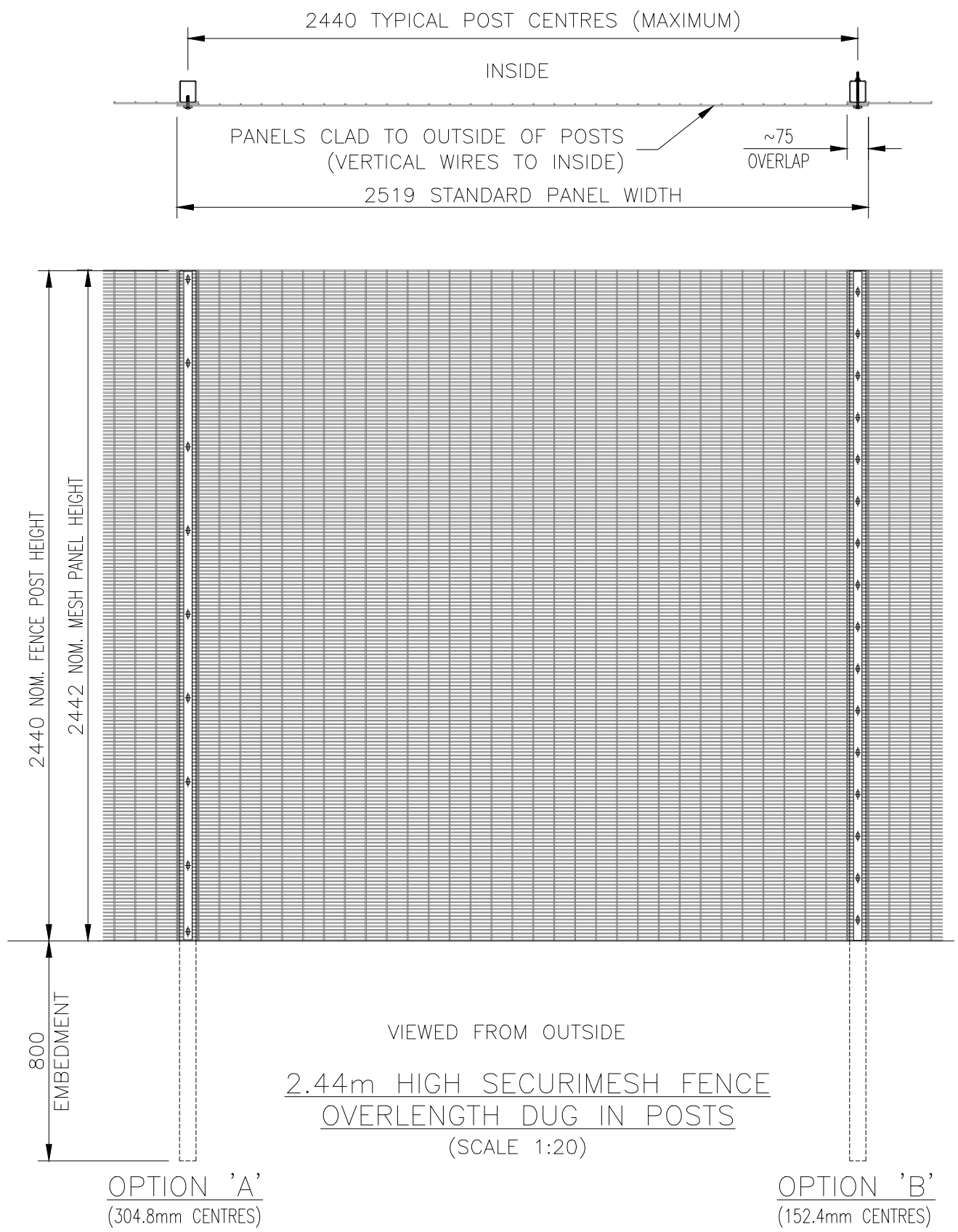
OPTION '1' FIXING
(FACE FIXED)



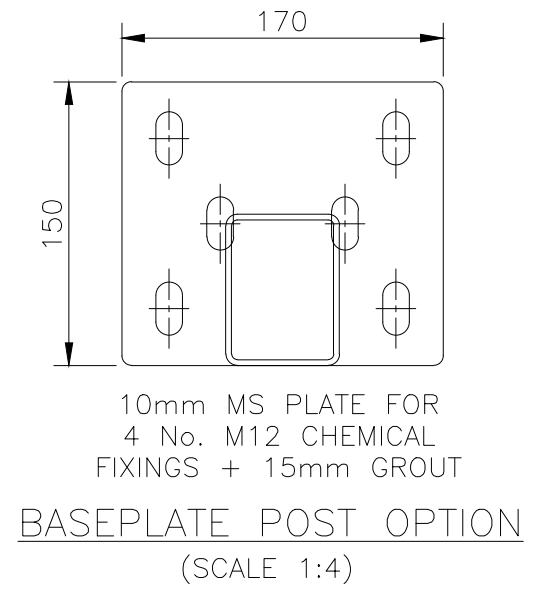
NOTES.
ALL DIMENSIONS ARE IN mm (UNO)
GAPS UNDER FENCING ARE NOMINAL DUE TO GROUND LEVELS.

MATERIALS.
FENCE POST: 80 x 60 RHS
CLAMP BARS: 30 x 6 MS FLAT

FINISH.
GALVANISED TO BS EN ISO 1461
POWDER COATED: IF REQUESTED



OPTION '2' FIXING
(BOLTED THRU)



	Stowting Common Near Ashford, KENT. TN25 6BN Telephone : 01233 750393 Fax: 01233 750403 Int. Tel : +44 (0)1233 750393	DO NOT SCALE – IF IN DOUBT ASK ⑥ 13/10/2016 MORE DETAILS ADDED ⑤ 25/07/16 Clamp Bars & Options Added ④ 03/02/15 Post Ctrs and Overlap ③ 28/01/14 General Material Notes ② 07/06/13 Mesh detail updated	Drawn WB	TITLE SALES DRAWING	
			Date 13/10/2016	2.44m HIGH SECURIMESH FENCE	
			Checked CJ	CUSTOMER	Drawing No.
This Drawing Is The Property Of H.S. Jackson & Son (Fencing) Ltd. And May Not Be Copied Or Reproduced In Any Way Without Prior Written Permission.			Size A3 Scale 1:20 U.O.S	ACK No.	J6/04030 Sheet 3