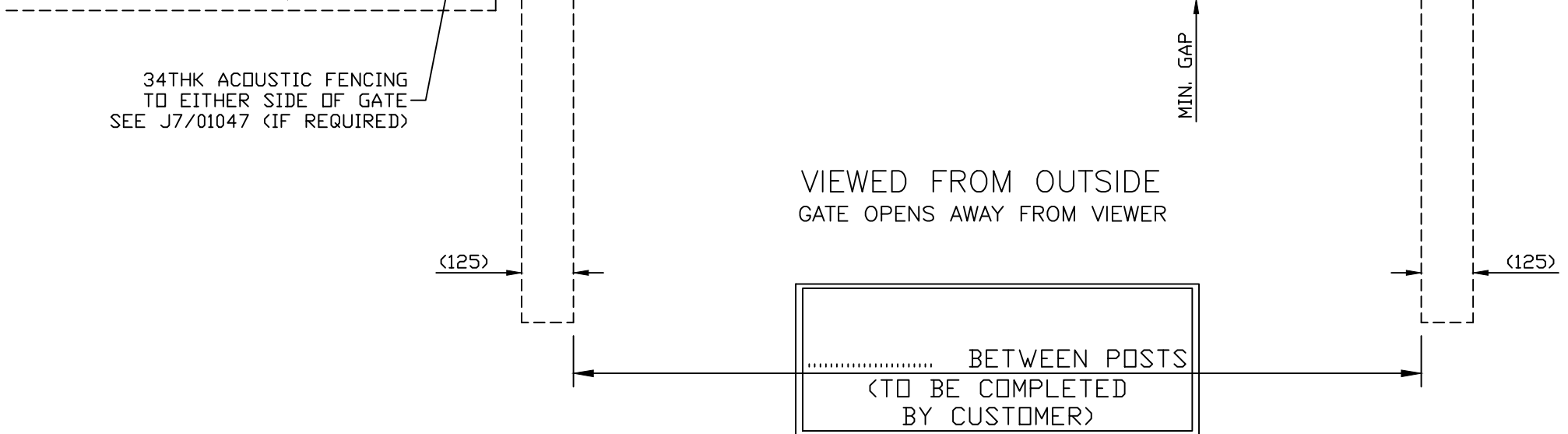
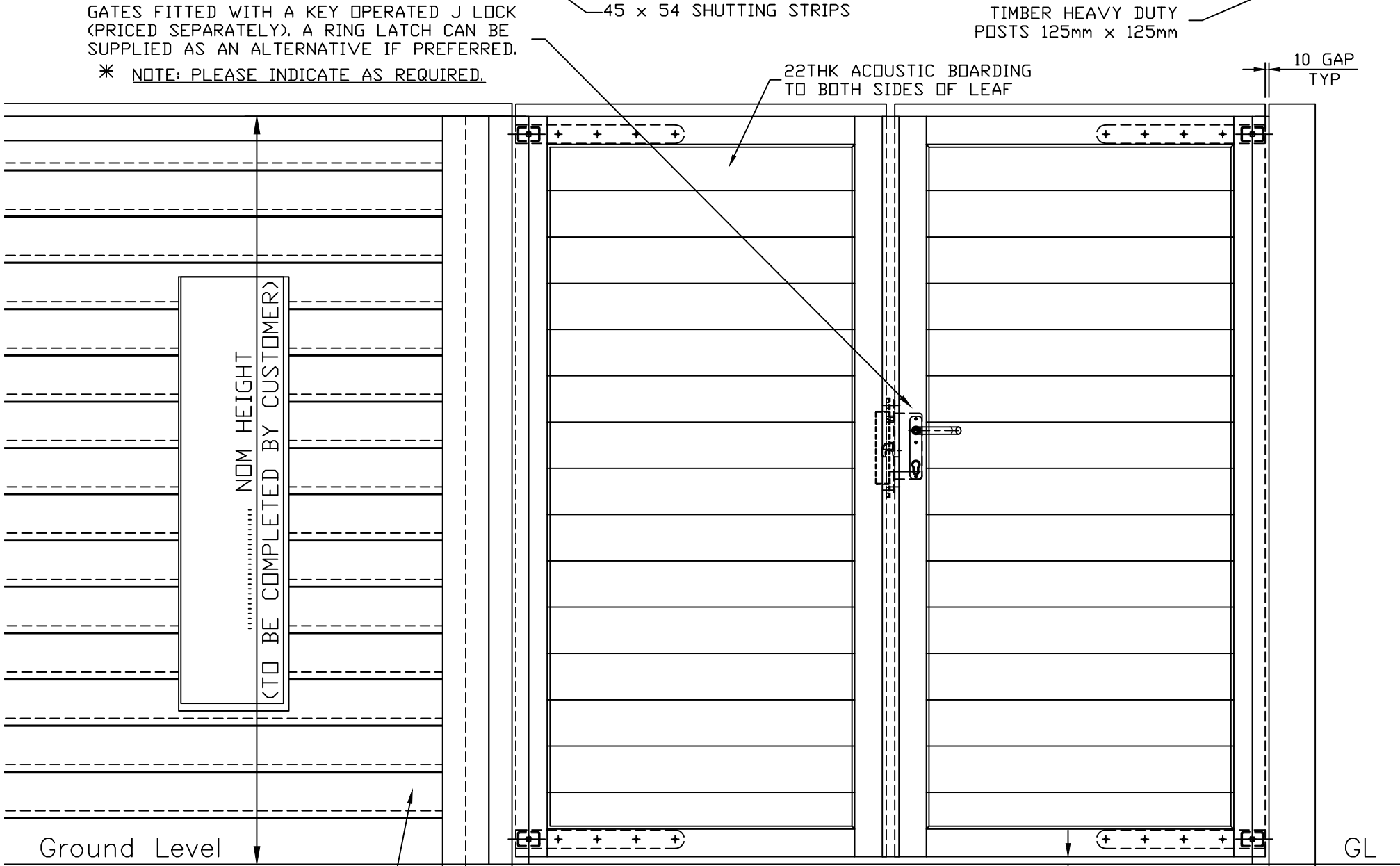
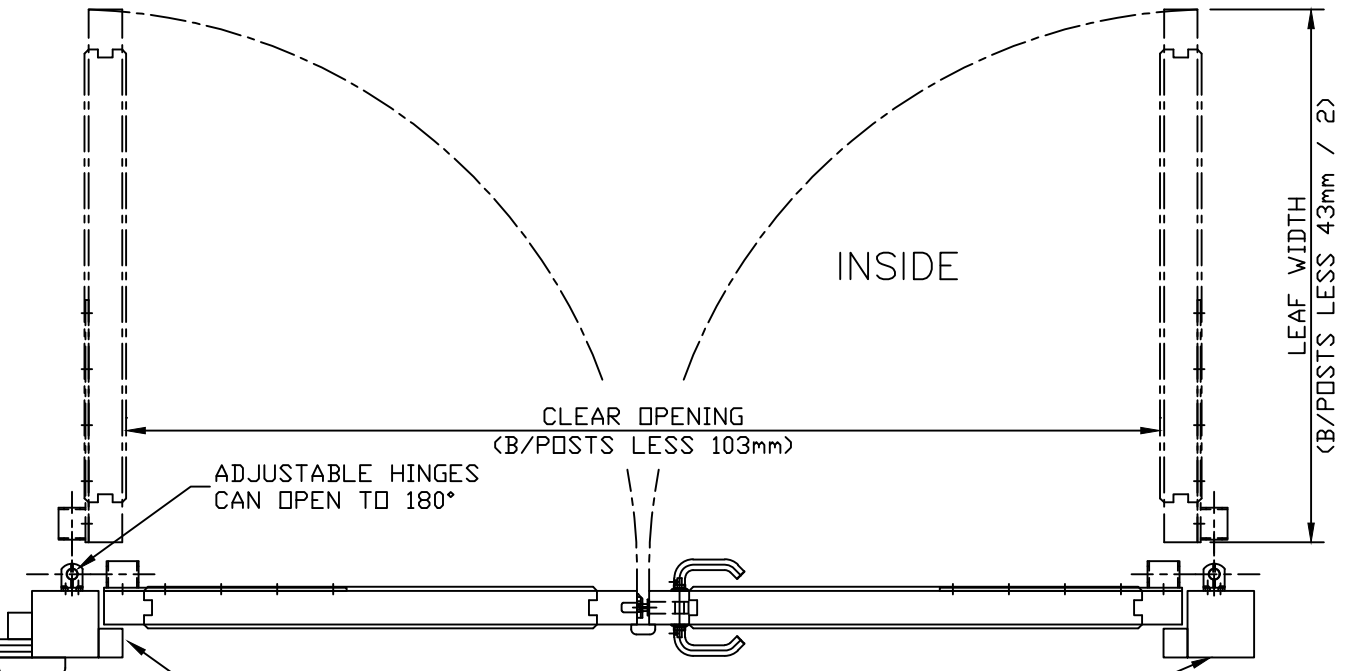


NOTE

MAX HEIGHT – 2.0m
 MAX WIDTH – 2.4m
 (Gates in excess of these dimensions require internal steel frame See J7/02161)

GATES WITHIN TALLER FENCING CAN BE FITTED WITH A LINTEL PANEL ABOVE THE GATE

GATES FITTED WITH A KEY OPERATED J LOCK (PRICED SEPARATELY). A RING LATCH CAN BE SUPPLIED AS AN ALTERNATIVE IF PREFERRED.
 * NOTE: PLEASE INDICATE AS REQUIRED.



Drawn JR	Checked AT	6 08/02/23 'Supplied' notes
Date 08/09/05	Size A3	5 21/10/21 Keylock Tweaks
	Scale 1:14 U.O.S	4 04/05/21 Keylock Standard

Stowting Common, Near Ashford, Kent. TN25 6BN
 Telephone: 01233 750393 Fax: 01233 750403
 Int. Tel: +44 (0)1233 750393
 www.jacksons-fencing.co.uk
 www.jacksons-security.co.uk

DO NOT SCALE – IF IN DOUBT ASK	
TITLE	TIMBER JAKOUSTIC D/L GATE SALES DEAWING
CUSTOMER	Drawing No. J7/02169
ACK No.	Sheet 2 of 2



This Drawing Is The Property Of H.S. Jackson & Son (Fencing) Ltd. And May Not Be Copied Or Reproduced In Any Way Without Prior Written Permission.