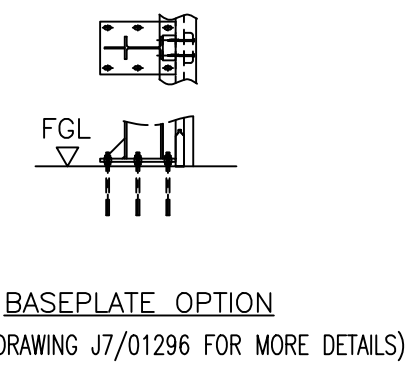


**NOTES.**  
 ALL DIMENSIONS ARE IN mm (UNO)  
 GAPS UNDER FENCING ARE NOMINAL DUE TO GROUND LEVELS.  
 CAPPING & COUNTER RAILS MAYBE REMOVE IF NOT REQUIRED  
 (PLEASE ASK SALES FOR FURTHER DETAIL)  
**MATERIALS.**  
 ACOUSTIC BOTTOM BOARD: 140 x 34 thk (120 Nom. FACE)  
 ACOUSTIC T & G BOARD: 140 x 34 thk (123 Nom. FACE)  
 CAPPING RAIL: 145 x 34 thk PAR  
 COUNTER RAIL: 70 x 34 thk PAR  
 POST COVER BOARD: 120 x 35 thk  
 TIMBER BATTEN: 100 x 50 thk SAWN FINISH  
 STEEL POSTS: UNIVERSAL BEAMS  
 ASSESSED TO SUIT SITE LOCATION.  
 ALL FIXINGS ARE GALVANISED OR STAINLESS STEEL.  
**FINISH.**  
 TIMBER: JAKCURED TREATED.  
 STEEL: GALVANISED TO BS EN ISO 1461



**JAKOUSTIC HIGHWAY FENCE (WITH CAPPING) – 3m HIGH**

**Jacksons Fencing**  
 Stowting Common, Near Ashford, Kent. TN25 6BN  
 Telephone: 01233 750393  
 Fax: 01233 750403  
 www.jacksons-fencing.co.uk

This Drawing Is The Property Of H.S. Jackson & Son (Fencing) Ltd, And May Not Be Copied Or Reproduced In Any Way Without Prior Written Permission.

DO NOT SCALE – IF IN DOUBT ASK

9	29/03/23	NOTES ADDED
8	27/03/2020	NEW BORDER + NOTES
7	01/05/19	UPDATE
6	07/05/16	TIMBER MAT'LS CORRECTED
5	16/08/16	POST MATERIAL NOTE

Drawn	JR	TITLE	SALES DRAWING (WITH CAPPING)
Date	11/06/2007		JAKOUSTIC HIGHWAY FENCE 3m HIGH
Checked	AT	CUSTOMER	Drawing No.
Size	A3	ACK No.	J7/01047
Scale	1:30 U.O.S		Sheet 3