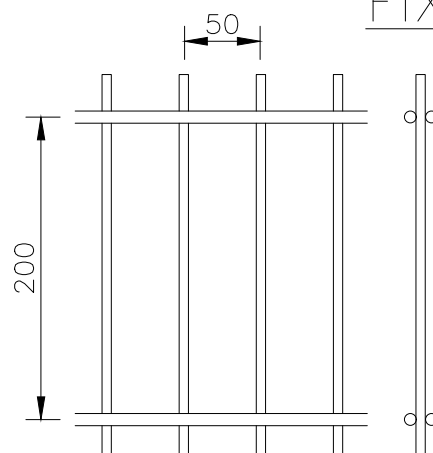


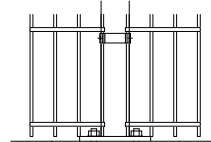
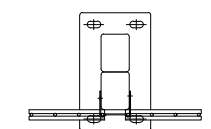
FIXING DETAILS



MESH DETAILS

(SCALE 1:5)

BASEPLATE SLOTTED FOR M12 CHEMICAL FIXINGS



OPTIONAL BASEPLATED POSTS

(SCALE 1:16)

NOTES.

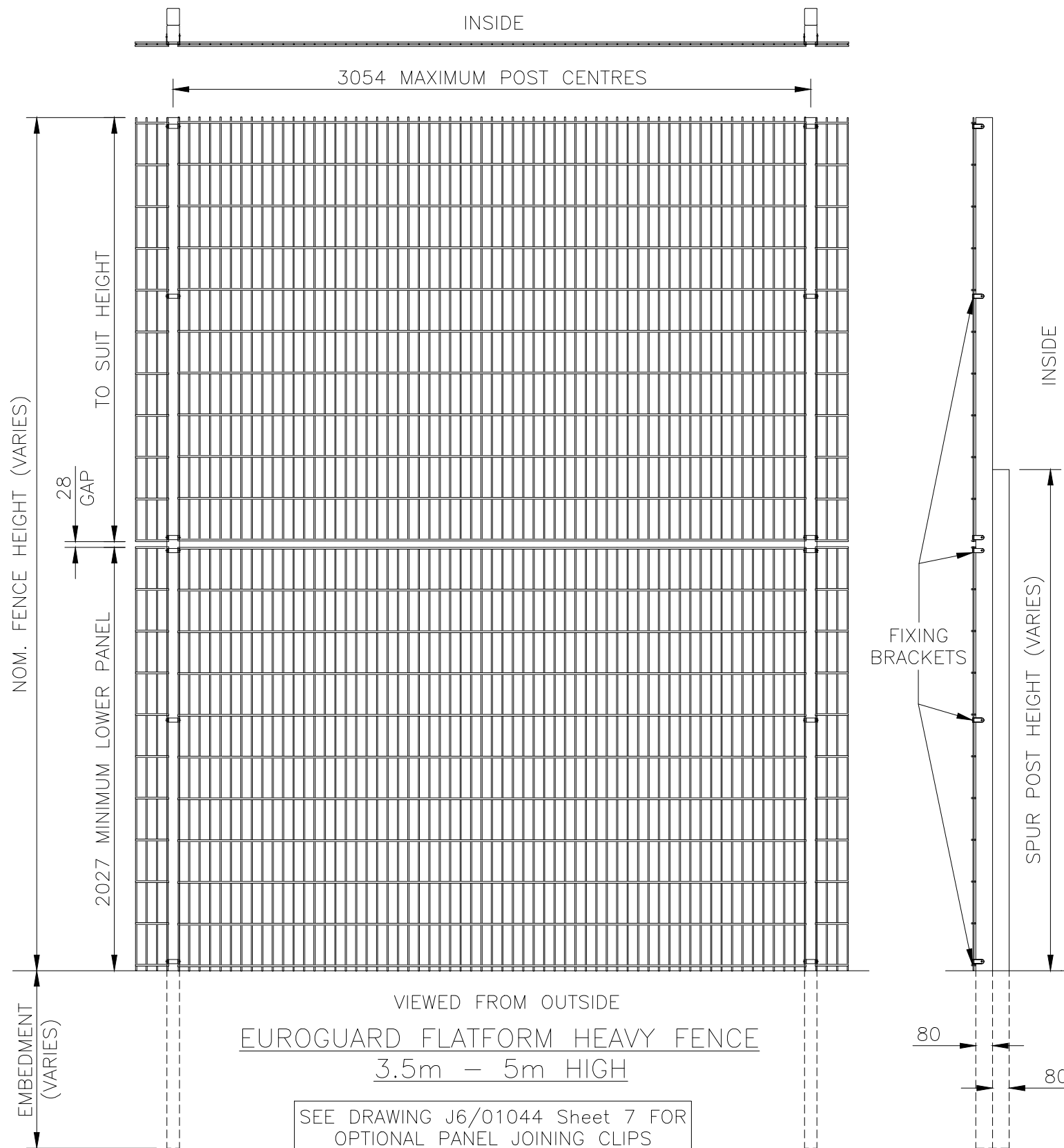
ALL DIMENSIONS ARE IN mm (U.N.O)
GAPS UNDERNEATH GATES & FENCING ARE NOMINAL DUE TO GROUND LEVELS.

Materials.

FENCE POSTS - 80 x 60 RHS (TYPICAL)
(ASSESS TO SUIT SITE LOCATION)
HORIZONTAL WIRES - ø8mm
VERTICAL WIRES - ø6mm

Finish.

GALVANISED TO BS EN ISO 1461
POWDER COATED: IF REQUIRED



SEE DRAWING J6/01044 Sheet 7 FOR OPTIONAL PANEL JOINING CLIPS

Jacksons Fencing

Stowting Common, Near Ashford, Kent. TN25 6BN
Telephone: 01233 750393
Fax: 01233 750403
www.jacksons-fencing.co.uk
www.jacksons-security.co.uk

This Drawing Is The Property Of H.S. Jackson & Son (Fencing) Ltd, And May Not Be Copied Or Reproduced In Any Way Without Prior Written Permission.

DO NOT SCALE - IF IN DOUBT ASK

- ② 21/02/2020 NEW BORDER + NOTES
- ① 01/03/11 50mm Wire Centres
- ① 28/09/06 Original Issue

Drawn S.Leeper	TITLE SALES DRAWING FOR EUROGUARD PLATFORM HEAVY FENCING 3.5m - 5m HIGH
Date 28/09/2006	CUSTOMER
Checked WB	Drawing No. J6/01064 Sheet 2
Size A3 Scale 1:25 U.O.S	ACK No.