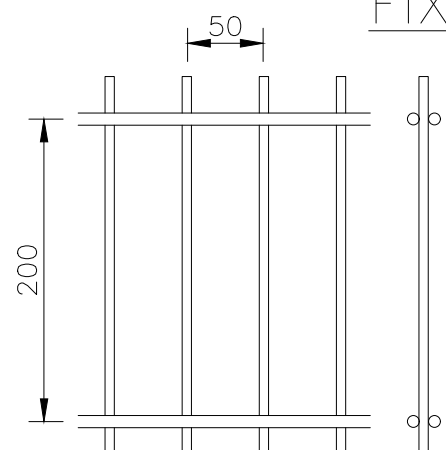
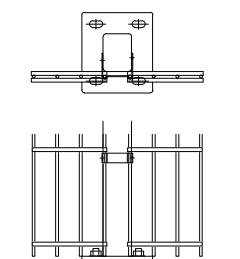


FIXING DETAILS



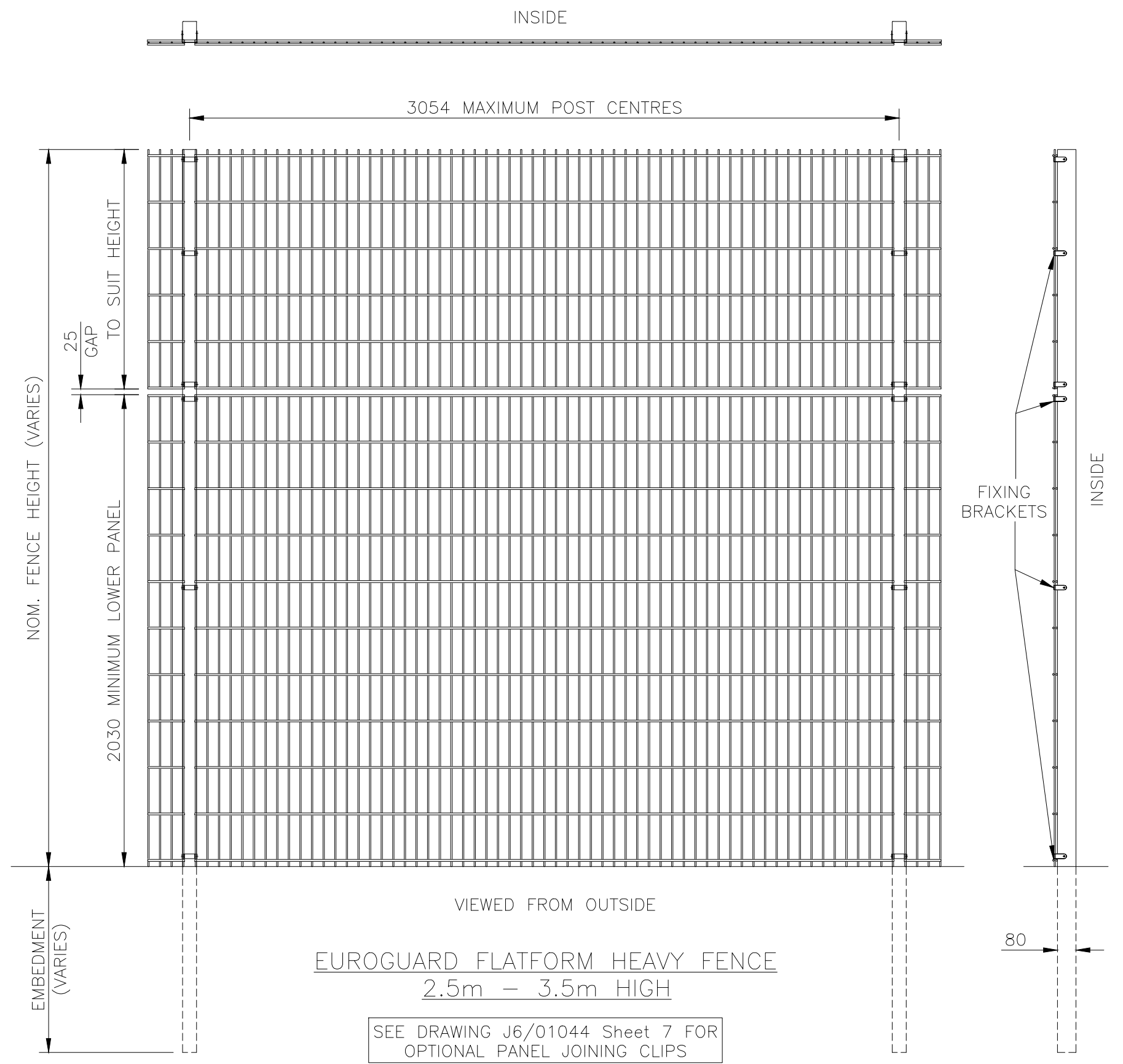
MESH DETAILS

BASEPLATE SLOTTED FOR M12 CHEMICAL FIXINGS



OPTIONAL BASEPLATED POSTS
(SCALE 1:16)

NOTES. (SCALE 1:5)
 ALL DIMENSIONS ARE IN mm (U.N.O)
 GAPS UNDERNEATH GATES & FENCING ARE NOMINAL DUE TO GROUND LEVELS.
Materials.
 FENCE POSTS - 80 x 60 RHS (TYPICAL) (ASSESS TO SUIT SITE LOCATION)
 HORIZONTAL WIRES - ø8mm
 VERTICAL WIRES - ø6mm
Finish.
 GALVANISED TO BS EN ISO 1461
 POWDER COATED: IF REQUIRED



EUROGUARD PLATFORM HEAVY FENCE
2.5m - 3.5m HIGH

SEE DRAWING J6/01044 Sheet 7 FOR OPTIONAL PANEL JOINING CLIPS



Stowting Common, Near Ashford, Kent. TN25 6BN
 Telephone: 01233 750393
 Fax: 01233 750403
 www.jacksons-fencing.co.uk
 www.jacksons-security.co.uk

DO NOT SCALE - IF IN DOUBT ASK

- ② 21/02/2020 NEW BORDER + NOTES
- ① 01/03/11 50mm Wire Centres
- ① 28/09 Original Issue

Drawn	S.Leeper
Date	28/09/2006
Checked	WB
Size	A3
Scale	1:20 U.O.S

TITLE	SALES DRAWING FOR EUROGUARD PLATFORM HEAVY FENCING 2.5m - 3.5m HIGH
CUSTOMER	
ACK No.	
Drawing No.	J6/01064
	Sheet 1

This Drawing Is The Property Of H.S. Jackson & Son (Fencing) Ltd, And May Not Be Copied Or Reproduced In Any Way Without Prior Written Permission.