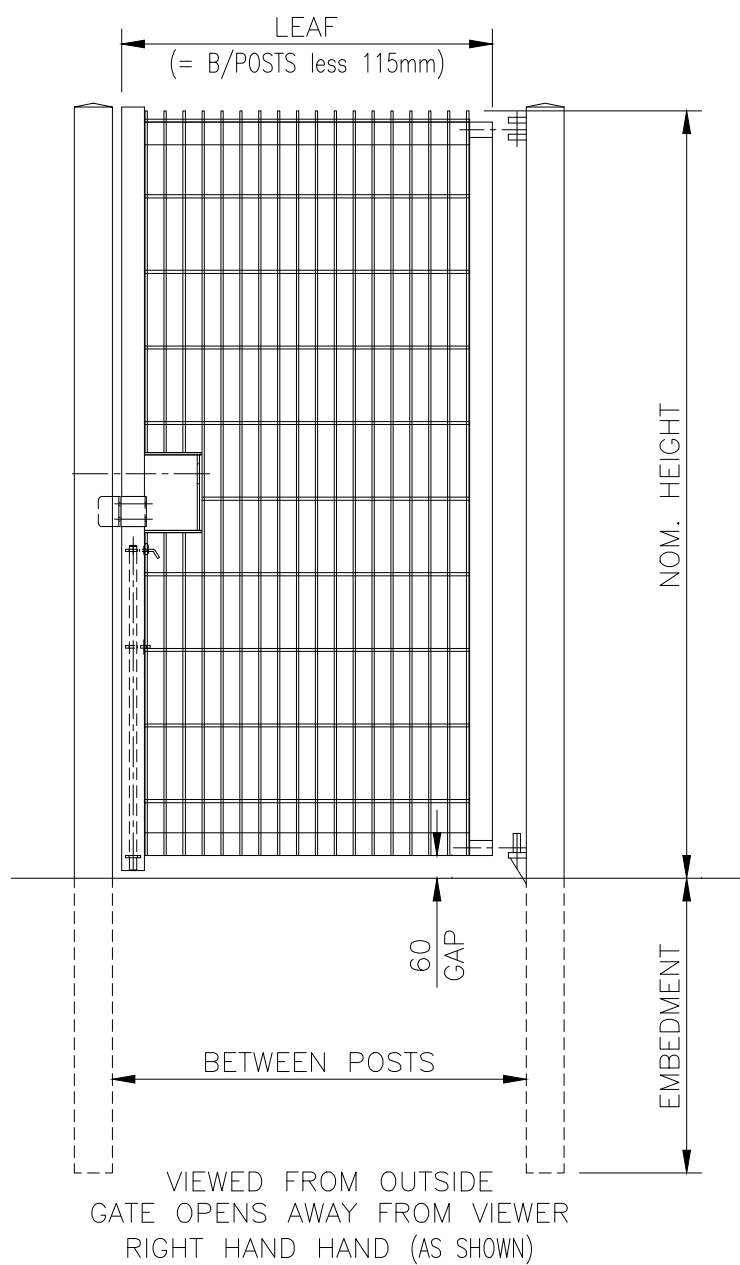


GATES CLAD ON OUTSIDE WITH EUROGUARD PLATFORM HEAVY



GATE SECURED USING PADLOCKABLE DROPBOLT & SLIDE LATCH (PADLOCKS NOT SUPPLIED)  
FOR OPTIONAL KEY LOCK REFER TO DRAWING J1/02111 FOR DETAILS.

**NOTES.**

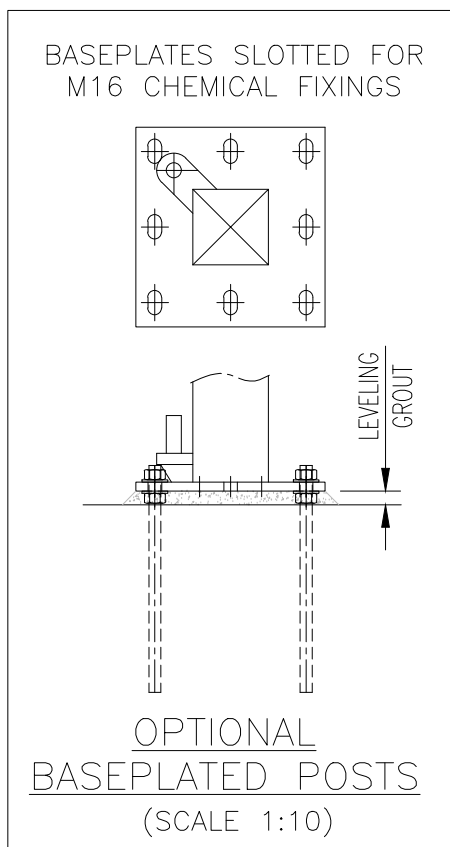
ALL DIMENSIONS ARE IN mm (UNO)  
GAPS UNDER GATES & FENCING ARE NOMINAL DUE TO GROUND LEVELS.

**MATERIALS.**

HANG POSTS: ASSESSED TO SUIT SITE LOCATION  
SLAM POST: 100 x 100 SHS  
RAILS: 60 x 40 RHS  
STILES: 60 x 60 SHS

**FINISH.**

GALVANISED TO BS EN ISO 1461  
POWDER COATED: IF REQUESTED



Drawn DD	Checked CJ	7 26/02/2020 NEW BORDER + NOTES
Date 27/04/2007	Size A3	6 19/02/20 MATERIAL NOTES REV'D
	Scale 1:20 U.O.S	5 11/02/20 OPTIONS ADDED

DO NOT SCALE – IF IN DOUBT ASK

**Jacksons Fencing**

Stowting Common, Near Ashford, Kent. TN25 6BN  
Telephone: 01233 750393 Fax: 01233 750403  
Int. Tel: +44 (0)1233 750393  
www.jacksons-fencing.co.uk

TITLE SALES DRAWING  
EUROGUARD PLATFORM HEAVY SINGLE GATES

CUSTOMER

Drawing No.

J6/04031

Sheet 2

ACK No.

This Drawing Is The Property Of H.S. Jackson & Son (Fencing) Ltd.  
And May Not Be Copied Or Reproduced In Any Way Without Prior Written Permission.