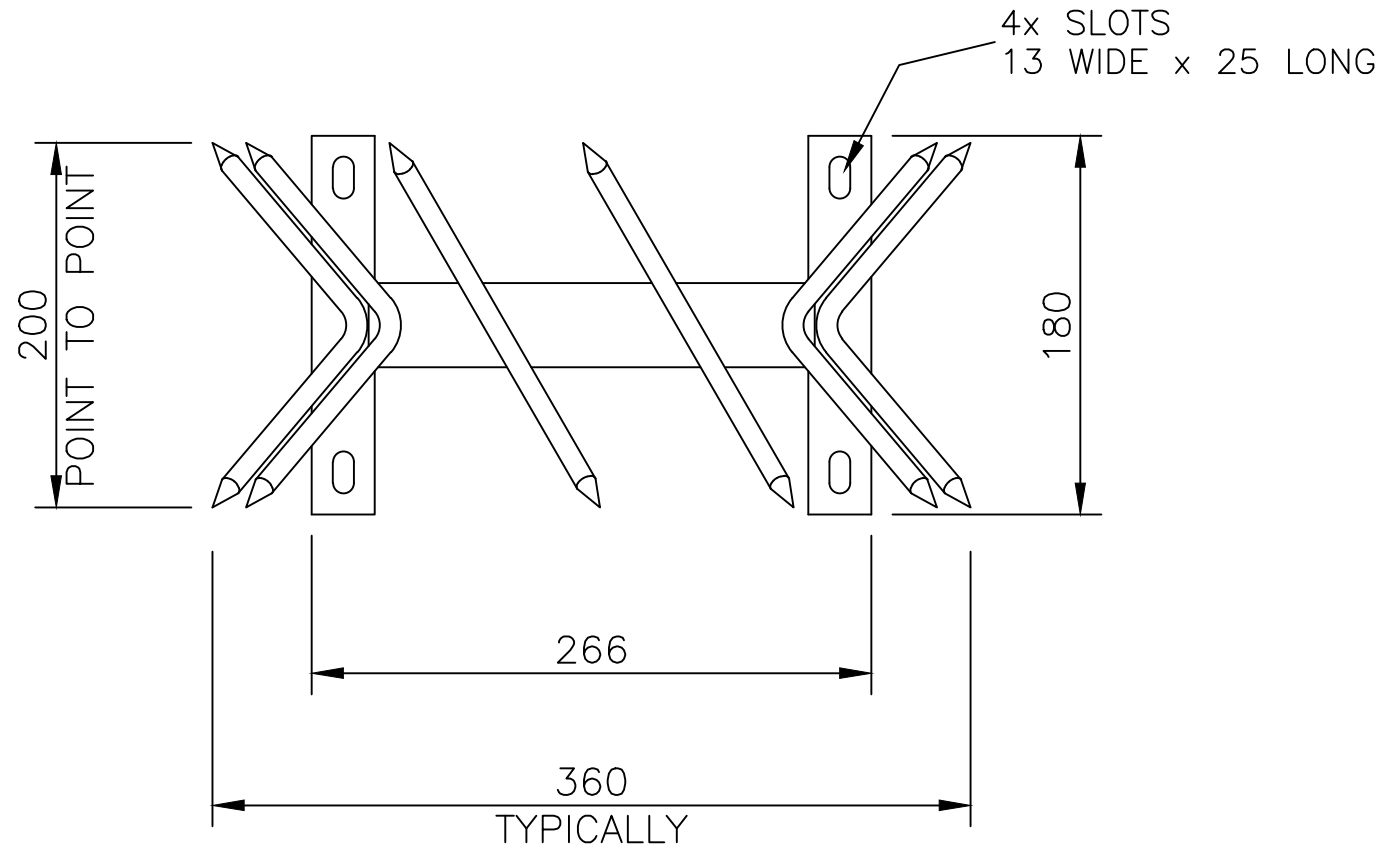


DO NOT SCALE – IF IN DOUBT ASK

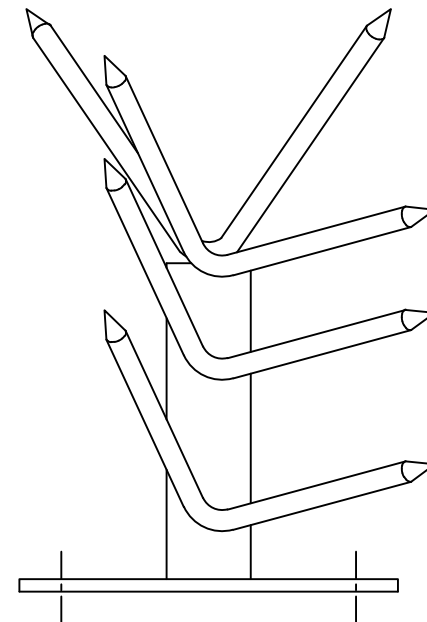
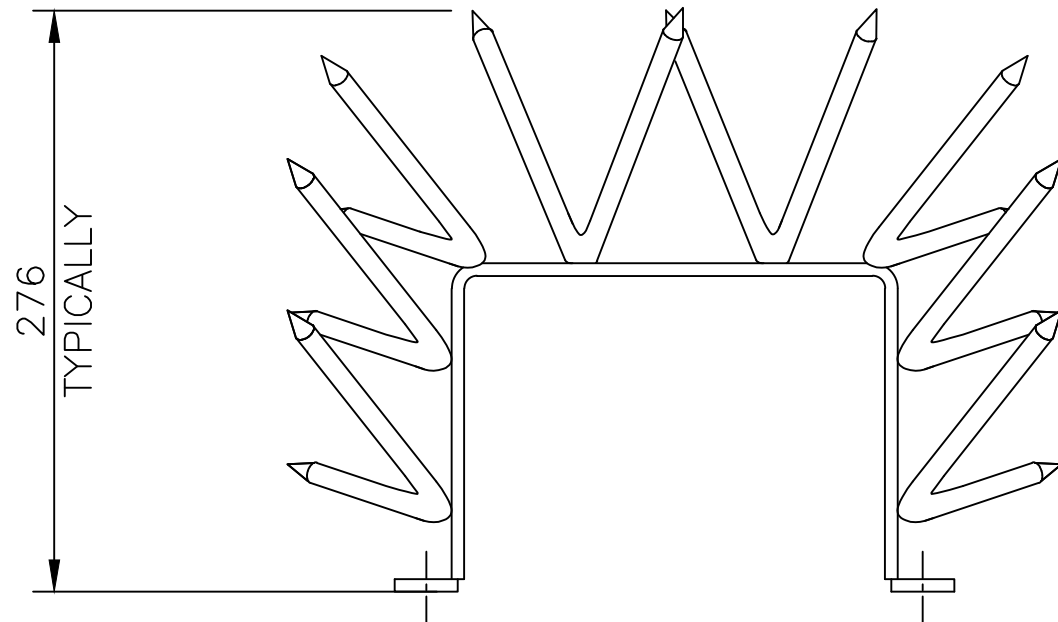


NOTES.

ALL DIMENSIONS ARE IN mm (U.N.O)
GAPS UNDERNEATH GATES & FENCING
ARE NOMINAL DUE TO GROUND LEVELS.

Materials.

FIXING PLATE – 40 x 6 FLAT BAR
SPIKE – POINTED ϕ 10 BAR
BENT TO SUIT



**Jacksons
Fencing**

Stowting Common, Near Ashford,
Kent. TN25 6BN
Telephone: 01233 750393
Fax: 01233 750403
www.jacksons-fencing.co.uk
www.jacksons-security.co.uk

This Drawing Is The Property Of H.S. Jackson & Son (Fencing) Ltd, And May Not Be Copied Or Reproduced In Any Way Without Prior Written Permission.

② 15/04/15 Workshop box removed
① 23/02/07 STAMP ADDED
① Original Issue

Drawn	S.Leeper
Date	13/06/06
Checked	
Size	Scale
A3	N.T.S U.O.S

TITLE SALES DRAWING FOR
VIPER 3

CUSTOMER
ACK No.

Drawing No.
J4/04136
SHEET 2