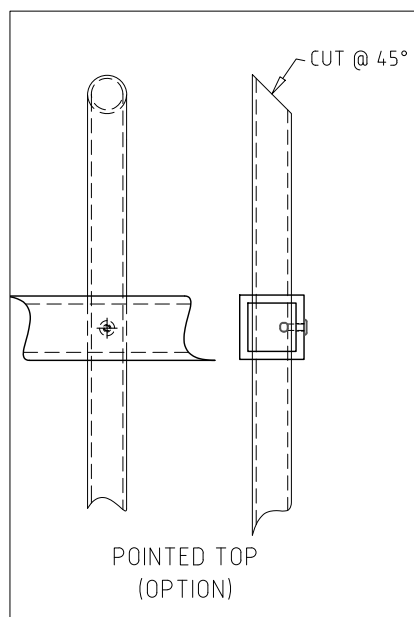


FOR CHANGE OF DIRECTION OR CORNERS - DOUBLE POST



AVAILABLE HEIGHTS:

- 1000mm HIGH - NOMINAL
- 1200mm HIGH - NOMINAL
- 1500mm HIGH - NOMINAL
- 1800mm HIGH - NOMINAL
- 2000mm HIGH - NOMINAL

NOTES.

ALL DIMENSIONS ARE IN mm (UNO)
GAPS UNDER GATES & FENCING ARE NOMINAL DUE TO GROUND LEVELS.

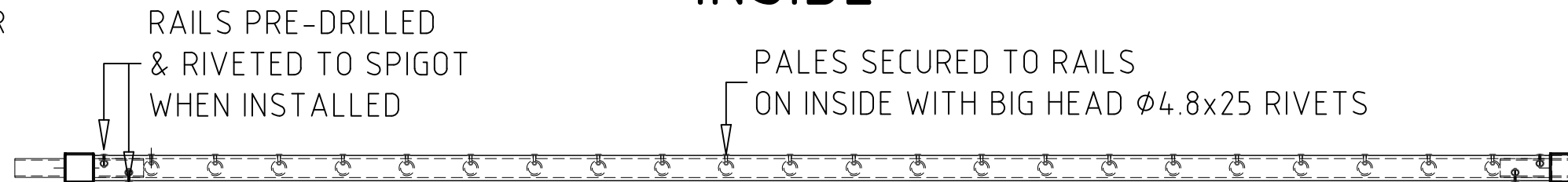
MATERIALS.

FENCE POST: GRP BOX PROFILE-60x60x4.25
FENCE RAILS: GRP BOX PROFILE-51x51x6.35
PALES: GRP TUBE PROFILE- ϕ 31x3 WALL
SPIGOTS: GRP TUBE PROFILE - ϕ 38x3 WALL

FINISH.

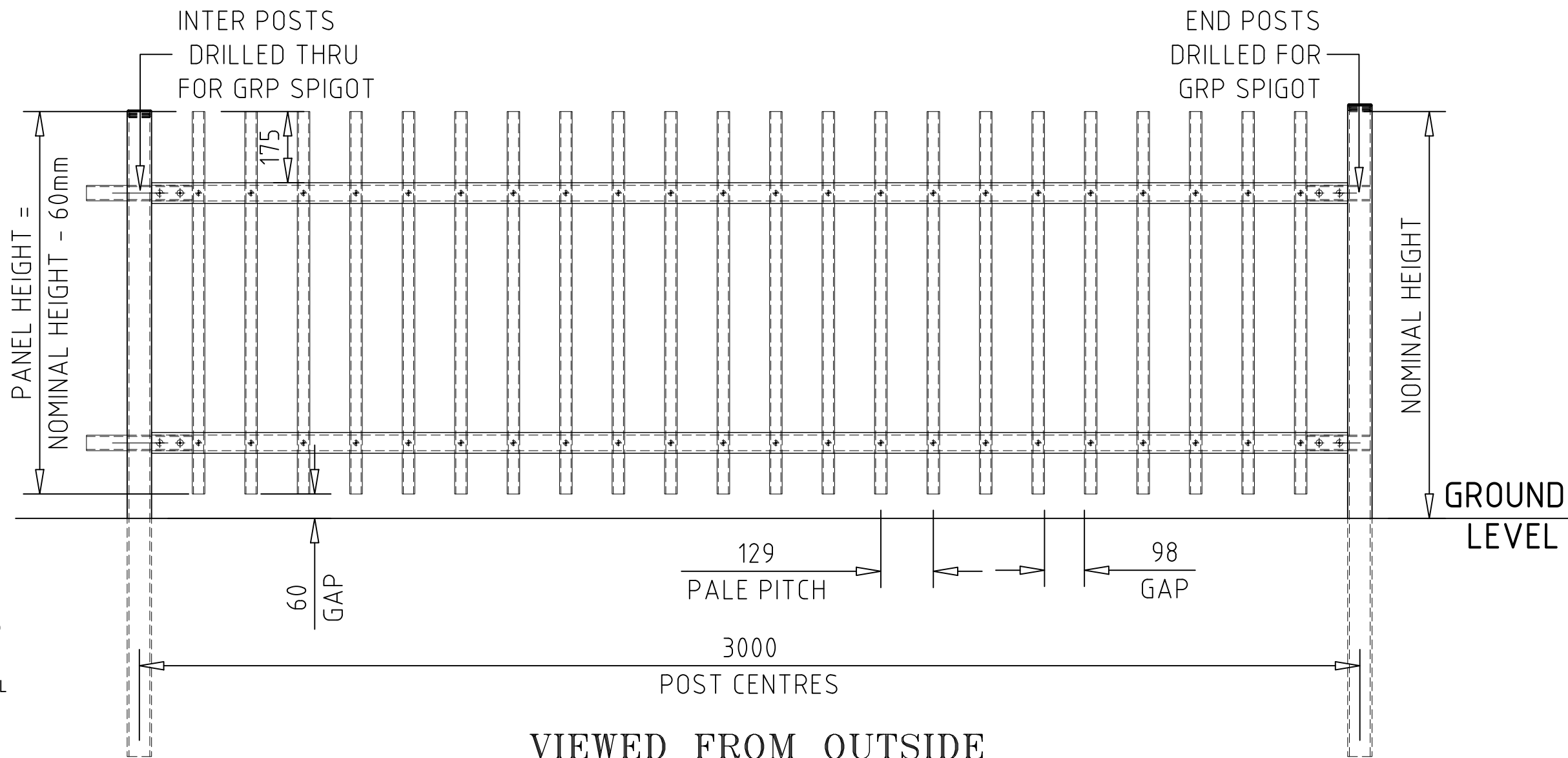
SELF COLOUR - ISO GREY

INSIDE



RAILS PRE-DRILLED & RIVETED TO SPIGOT WHEN INSTALLED

PALES SECURED TO RAILS ON INSIDE WITH BIG HEAD ϕ 4.8x25 RIVETS



INTER POSTS DRILLED THRU FOR GRP SPIGOT

END POSTS DRILLED FOR GRP SPIGOT

PANEL HEIGHT =
NOMINAL HEIGHT - 60mm

NOMINAL HEIGHT

GROUND LEVEL

60
GAP

129
PALE PITCH

98
GAP

3000
POST CENTRES

VIEWED FROM OUTSIDE



Stowting Common, Near Ashford,
Kent. TN25 6BN
Telephone: 01233 750393
Fax: 01233 750403
www.jacksons-fencing.co.uk

DO NOT SCALE - IF IN DOUBT ASK

Drawn	PW
Date	11/07/18
Checked	
Size	Scale
A3	1:12 U.O.S

TITLE
GRP BARBICAN IMPERIAL FENCING
SALES DRAWING

CUSTOMER

Drawing No.

This Drawing Is The Property Of H.S. Jackson & Son (Fencing) Ltd, And May Not Be Copied Or Reproduced In Any Way Without Prior Written Permission.

11/07/18

Original Issue

ACK No.