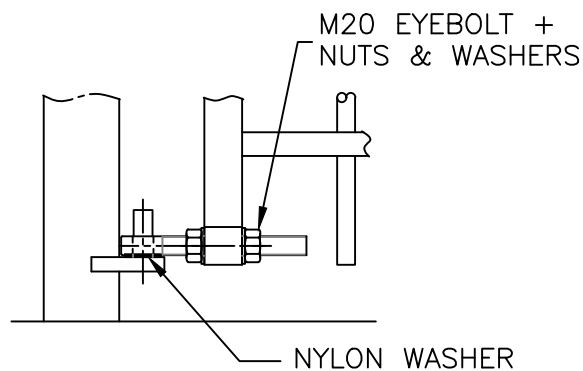
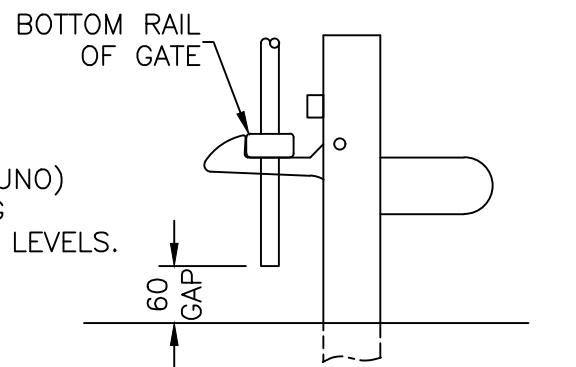


TOP HINGE DETAIL



BOTTOM HINGE DETAIL
(SCALE 1:8)



HOLD BACK LATCH POST
(SCALE 1:8)

NOTES.

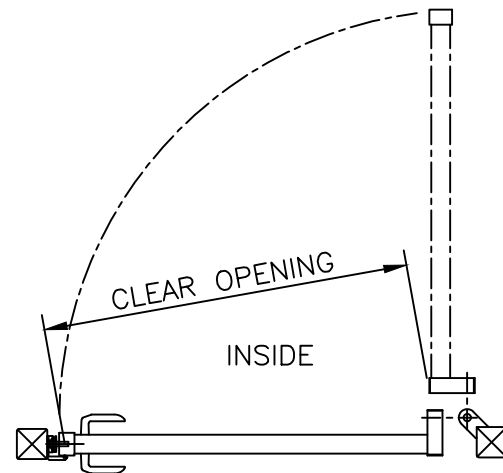
ALL DIMENSIONS ARE IN mm (UNO)
GAPS UNDER GATES & FENCING
ARE NOMINAL DUE TO GROUND LEVELS.

MATERIALS.

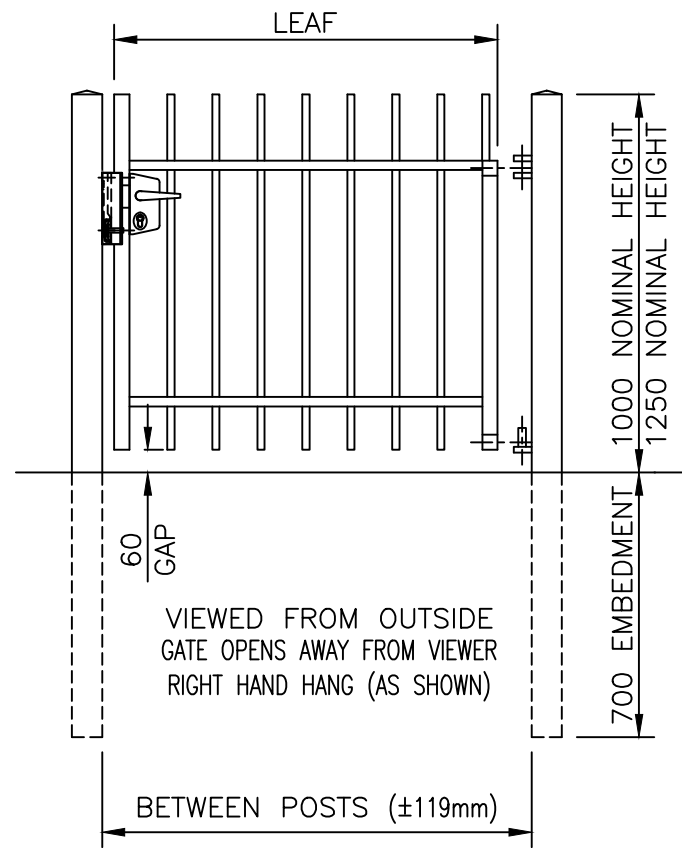
HANG POST: SEE TABLE
SLAM POST: 80 x 80 SHS
RAILS: 50 x 25 RHS
STILES: 60 x 40 RHS
PALES: ø19 CHS

FINISH.

GALVANISED TO BS EN ISO 1461
POWDER COATED: IF REQUESTED

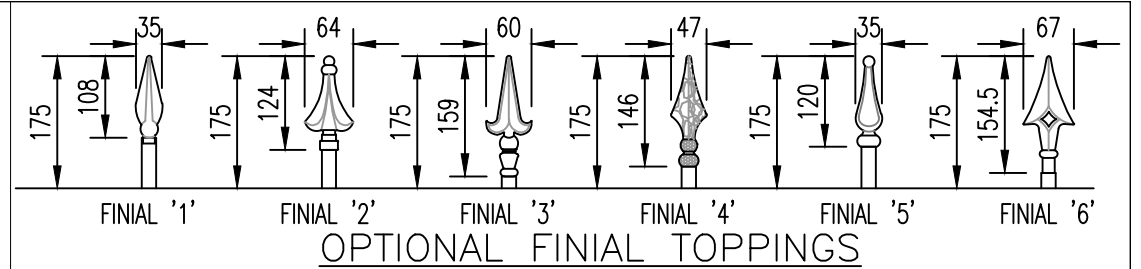


GATE SECURED USING
KEY LOCK

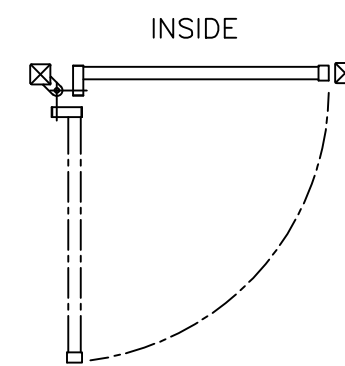


1m & 1.25m STANDARD FENCE HEIGHTS

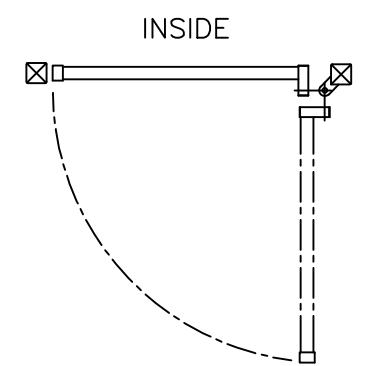
VIEWED FROM OUTSIDE
GATE OPENS AWAY FROM VIEWER
RIGHT HAND HANG (AS SHOWN)



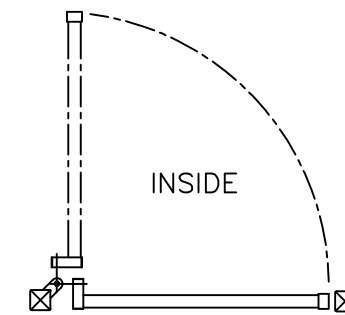
| PEDESTRIAN GATE (KEY LOCK) | | | |
|----------------------------|---------------|------|---------------|
| BETWEEN POSTS | CLEAR OPENING | LEAF | POST SIZE |
| 1136 | 927 | 1014 | 80 x 80 SHS |
| 1255 | 1090 | 1133 | 80 x 80 SHS |
| 1374 | 1208 | 1252 | 80 x 80 SHS |
| 1493 | 1325 | 1371 | 80 x 80 SHS |
| 1612 | 1444 | 1490 | 80 x 80 SHS |
| 1731 | 1562 | 1609 | 100 x 100 SHS |
| 1850 | 1680 | 1728 | 100 x 100 SHS |
| 1969 | 1799 | 1847 | 100 x 100 SHS |
| 2088 | 1917 | 1966 | 100 x 100 SHS |
| 2207 | 2036 | 2085 | 100 x 100 SHS |
| 2326 | 2154 | 2204 | 100 x 100 SHS |



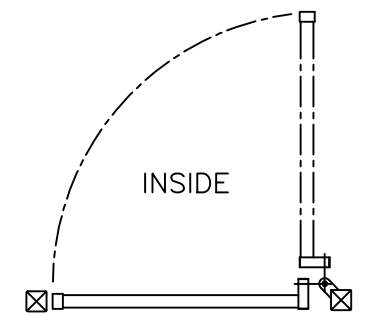
LEFT HAND HANG
OPEN OUT



RIGHT HAND HANG
OPEN OUT



LEFT HAND HANG
OPEN IN



RIGHT HAND HANG
OPEN IN

Jacksons Fencing

Stowting Common, Near Ashford,
Kent. TN25 6BN
Telephone: 01233 750393
Fax: 01233 750403
www.jacksons-fencing.co.uk
www.jacksons-security.co.uk

DO NOT SCALE – IF IN DOUBT ASK

1 17/05/2018 UPDATED & CORRECTED
0 31/05/2017 Original Issue

Drawn NM
Date 31/05/2017
Checked CJ
Size A3 Scale 1:20 U.O.S

TITLE IMPERIAL 'RESIDENTIAL' SINGLE GATES
SALES DRAWING (KEY LOCK)

CUSTOMER
ACK No.

Drawing No.
J1/02157
Sheet 2