

**Step One: Installing the Posts**

Dig the appropriate number of holes corresponding to your post quantities into the desired positions of the fence run. Holes should be dug approximately 300<sup>2</sup> x 800 deep in steps of either 3255 or 1725 depending on your panel sizes. It is important to remember to install the Corner Posts in the correct position and decide on which side you want to leave the gravel board (and panel) to post fixings showing.

DO NOT SCALE – IF IN DOUBT ASK

**Step Two: Installing Intermediate Gravel Boards**

Once all posts are set into their fixed positions, lay out the panels and gravel boards next to their intended positions to avoid any misplacements. When attaching the gravel boards, place one end between the post gap and fix into position using 1no. S/S M5 x 95Lg Security Torx Timber Screw through the post and gravel board as indicated in Figure 1. It may be advisable to pilot drill through the holes of the posts when the gravel board is in position to avoid splitting. Avoid drilling completely through. As illustrated in Figure 1, drill the LH board from 'this' side and the RH board from the other.

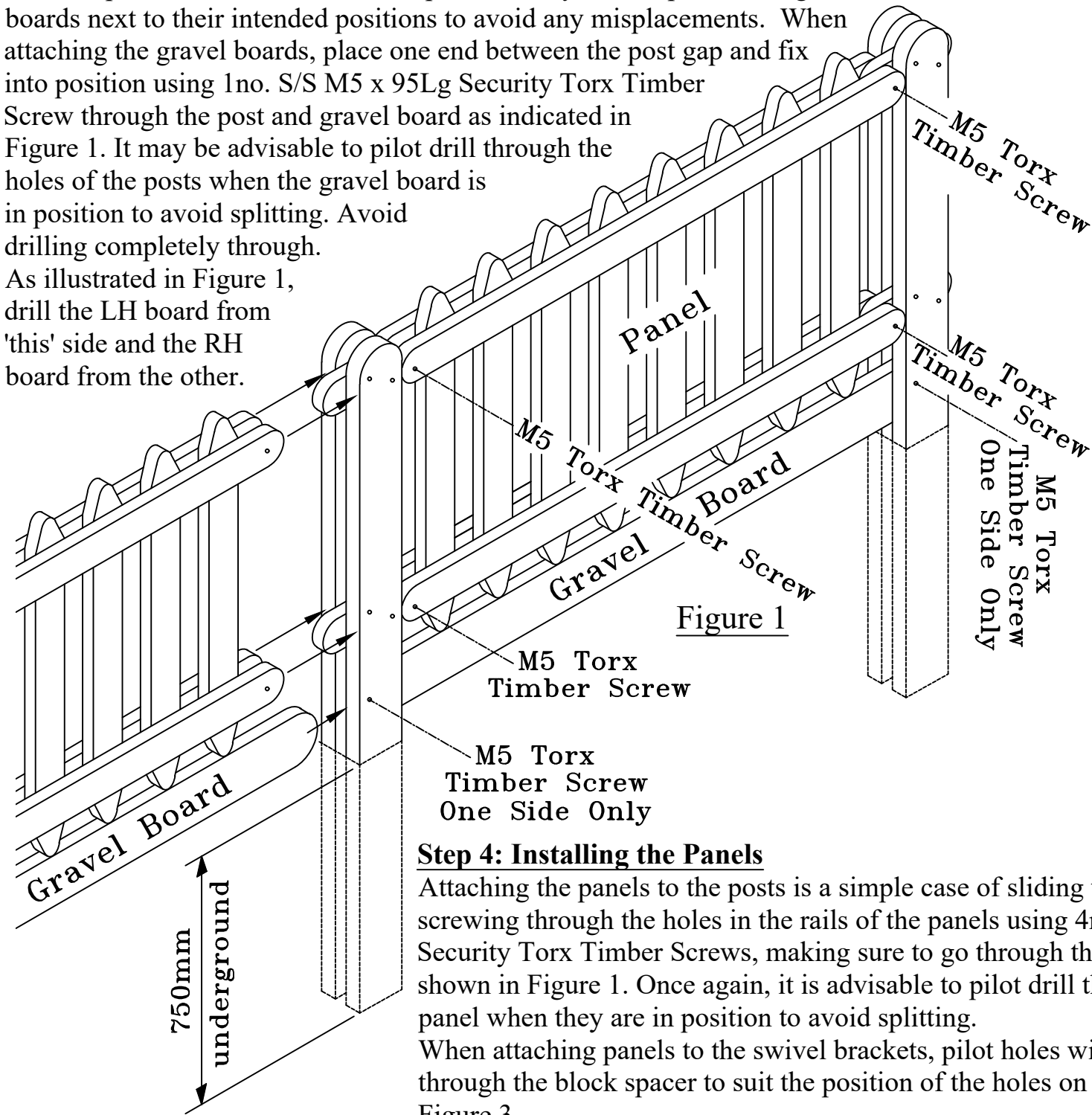


Figure 1

**Step 3: Installing Corner Gravel Boards**

When installing a Gravel Board at a corner, the end of the gravel board needs to be cut flat so it will fit into the swivel bracket provided. The swivel bracket needs to be attached to the end of the gravel board needing to swivel, using 2no. M8 x 50 Bolts & Nuts. When the bracket is fixed to the gravel board attach it to the post bracket using 1no. M8 x 150 bolt through the existing holes in both brackets and fix into place with a nut.

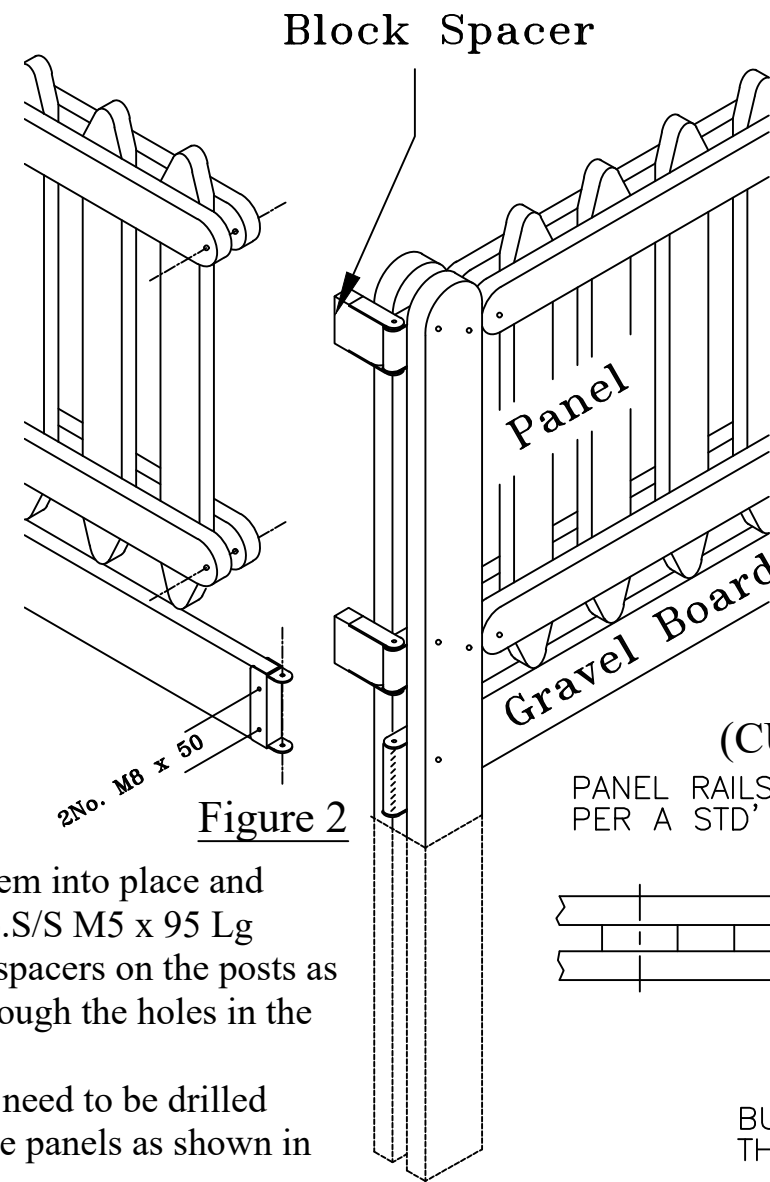


Figure 2

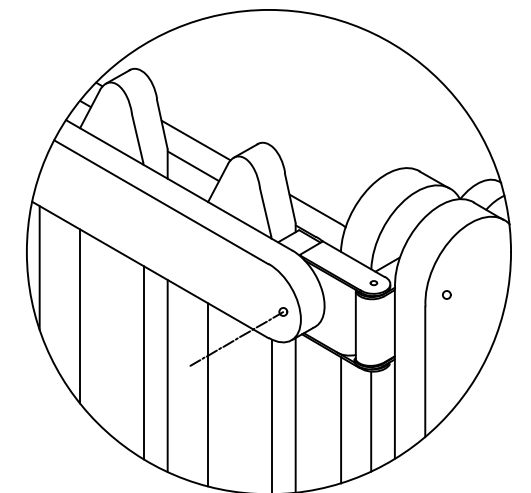
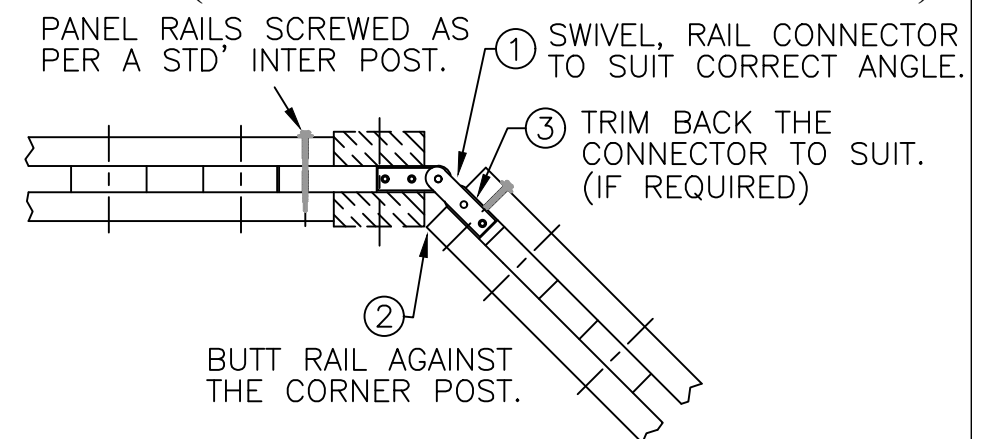


Figure 3

**Step 4: Installing the Panels**

Attaching the panels to the posts is a simple case of sliding them into place and screwing through the holes in the rails of the panels using 4no. S/S M5 x 95 Lg Security Torx Timber Screws, making sure to go through the spacers on the posts as shown in Figure 1. Once again, it is advisable to pilot drill through the holes in the panel when they are in position to avoid splitting. When attaching panels to the swivel brackets, pilot holes will need to be drilled through the block spacer to suit the position of the holes on the panels as shown in Figure 3.

**FOR NON 90° CORNERS  
(CUT BACK CONNECTORS TO SUIT)**



**Jacksons Fencing**

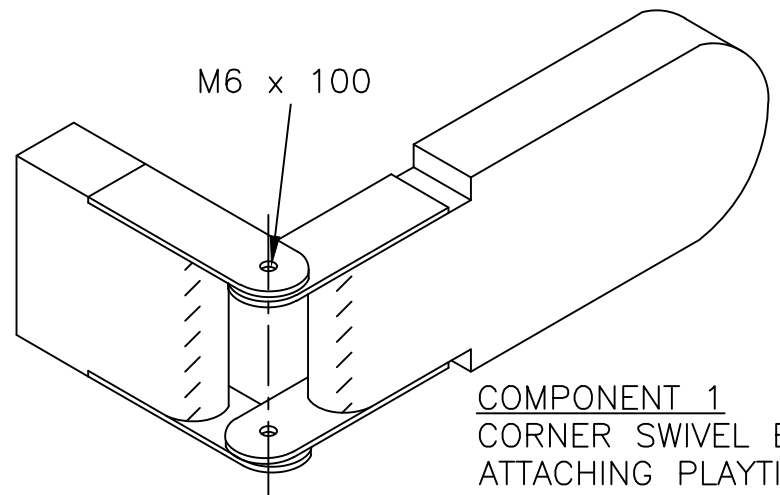
Stowting Common, Near Ashford, Kent. TN25 6BN  
Telephone: 01233 750393  
Fax: 01233 750403  
www.jacksons-fencing.co.uk  
www.jacksons-security.co.uk

6	10/12/15	EMBEDMENT 750
5	09/02/10	NOTES REV'D
4	26/11/09	NOTES REV'D
3	20/11/09	NOTES REV'D
2	29/10/09	NOTE REV'D
1	28/10/09	DETAIL ADDED

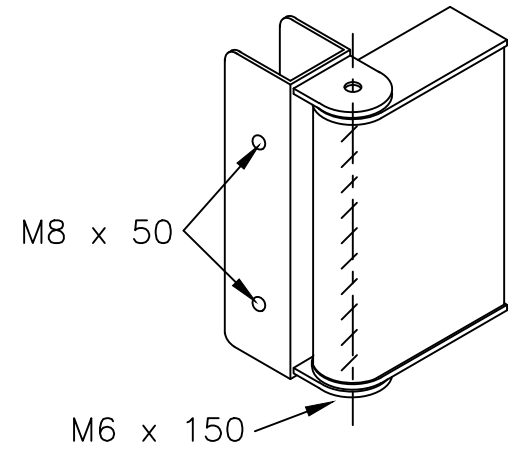
Drawn	LF
Date	
Checked	A Tune
Size	A3
Scale	NTS U.O.S

TITLE	TIMBER PLAYTIME FENCING INSTALLATION DETAILS
CUSTOMER	
ACK No.	
Drawing No.	J8/01015 Pg 1 of 2

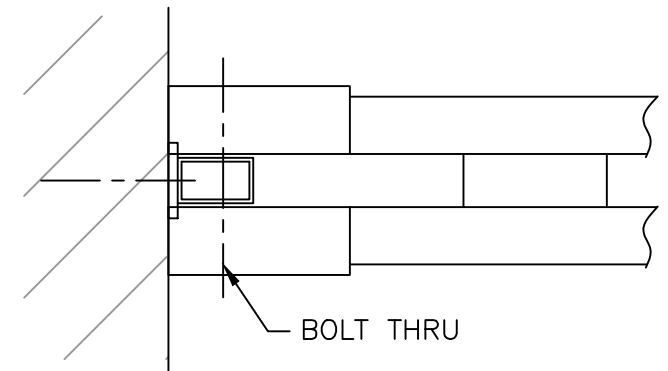
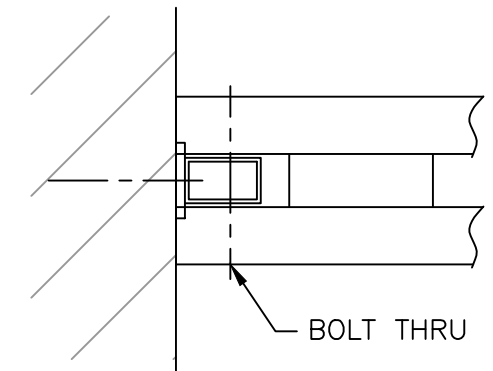
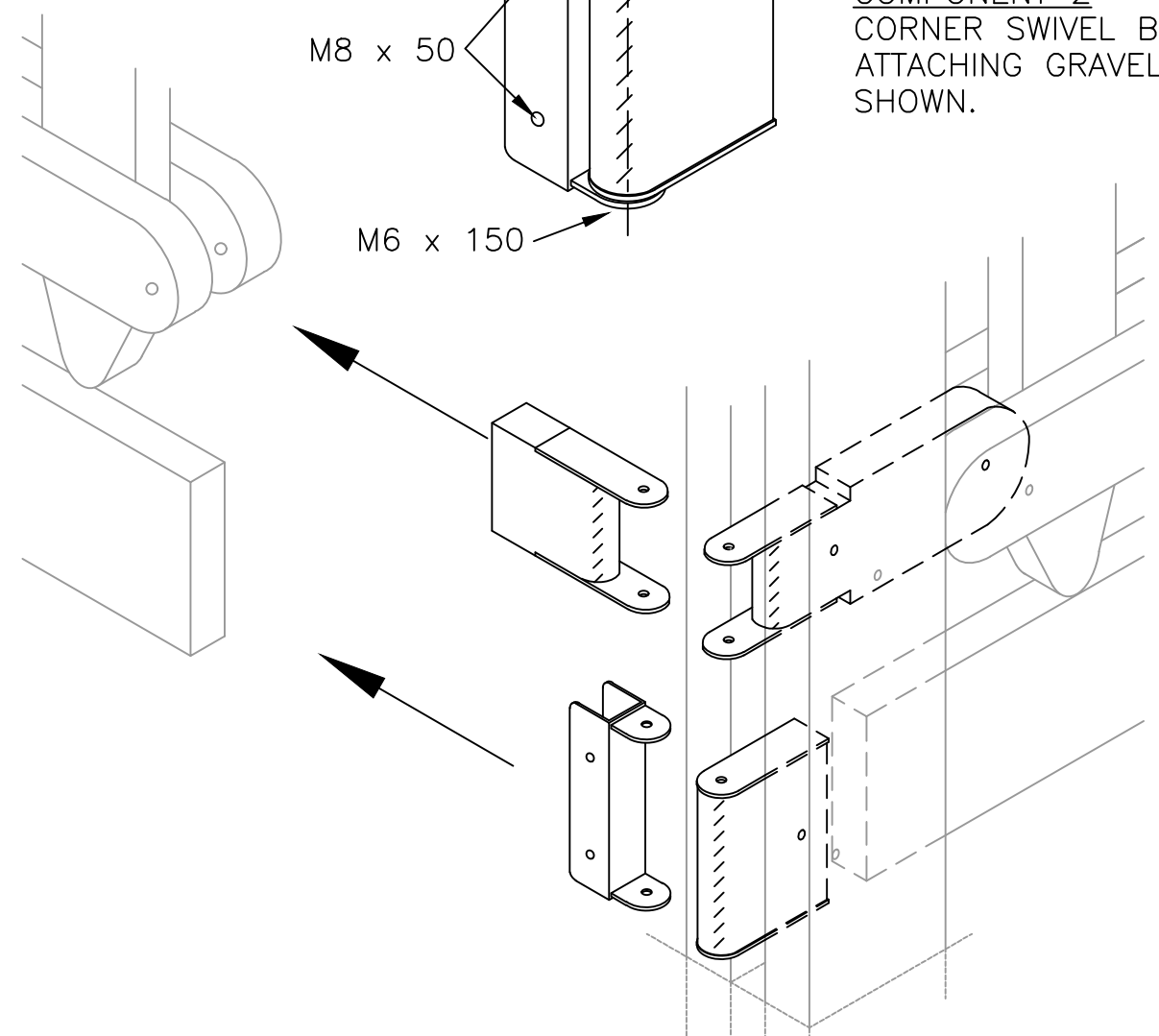
This Drawing Is The Property Of H.S. Jackson & Son (Fencing) Ltd, And May Not Be Copied Or Reproduced In Any Way Without Prior Written Permission.



**COMPONENT 1**  
CORNER SWIVEL BRACKET FOR  
ATTACHING PLAYTIME FENCE PANELS  
AS SHOWN.

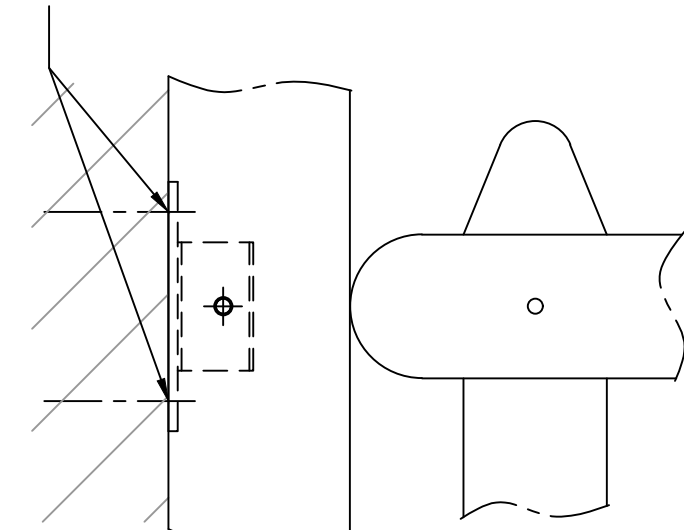
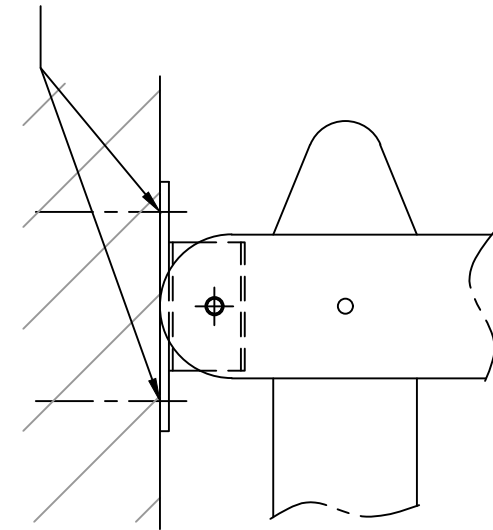


**COMPONENT 2**  
CORNER SWIVEL BRACKET FOR  
ATTACHING GRAVEL BOARDS AS  
SHOWN.



M8 x 65 Lg COACHSCREW  
& NYLON FIXING PLUG

M8 x 65 Lg COACHSCREW  
& NYLON FIXING PLUG



OPTION 'A'

OPTION 'B'

WALL CONNECTOR DETAILS

**Jacksons  
Fencing**

Stowting Common, Near Ashford,  
Kent. TN25 6BN  
Telephone: 01233 750393  
Fax: 01233 750403  
www.jacksons-fencing.co.uk  
www.jacksons-security.co.uk

This Drawing Is The Property Of H.S. Jackson & Son (Fencing) Ltd, And May Not Be Copied Or Reproduced In Any Way Without Prior Written Permission.

2	29/08/13	WALL BRACKET ADDED
1	11/02/10	General Update
0	05/03/04	Original Issue

Drawn LF	TITLE TIMBER PLAYTIME FENCING CORNER SWIVEL DETAILS
Date 05/03/04	
Checked A Tune	CUSTOMER
Size A3	Scale NTS U.O.S
ACK No.	
Drawing No. J8/01015 Pg 2 of 2	