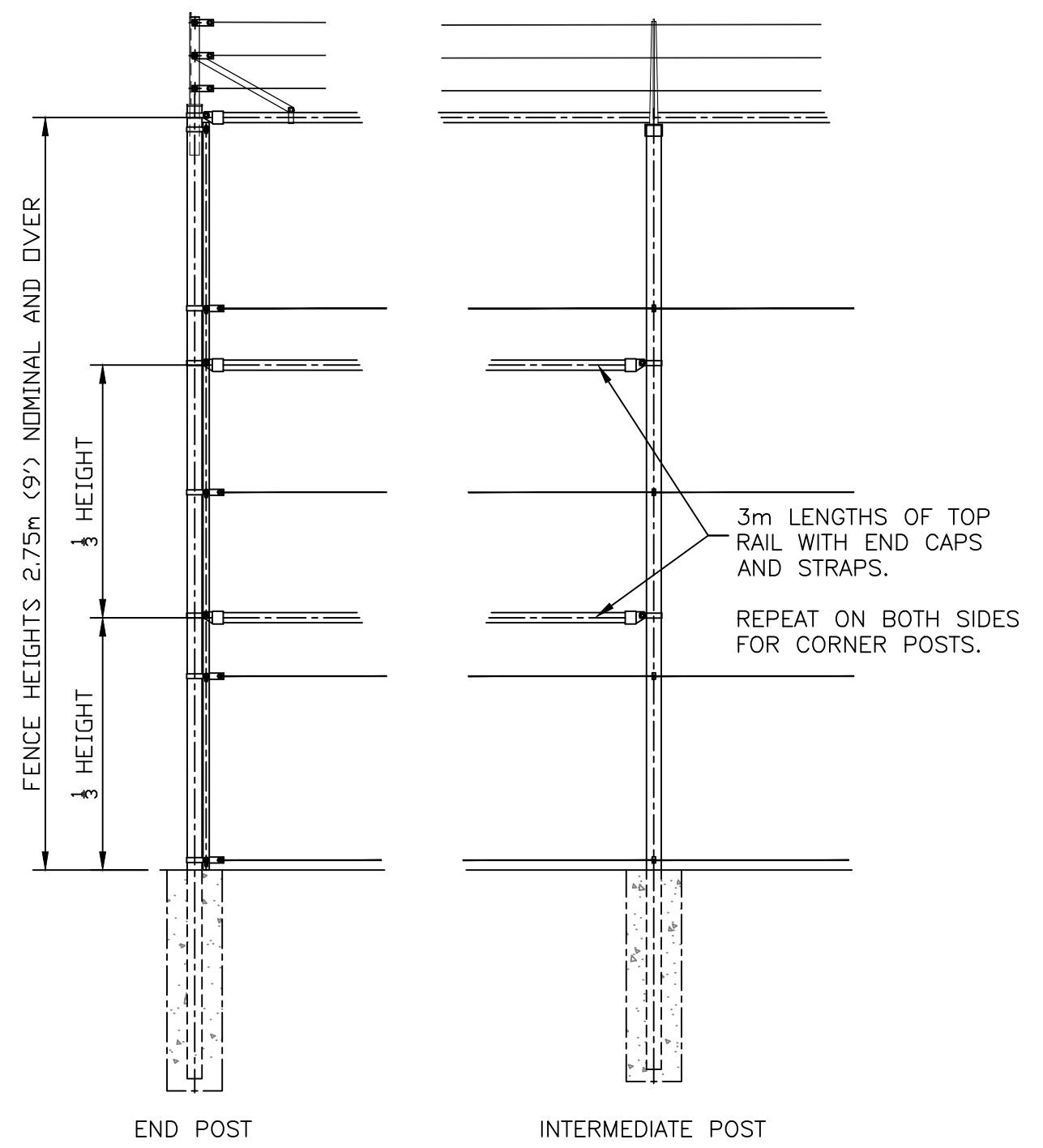
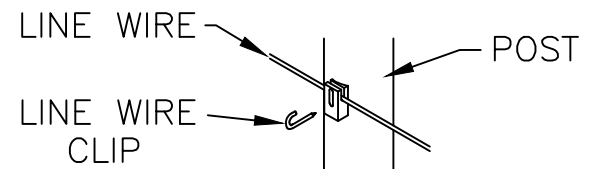
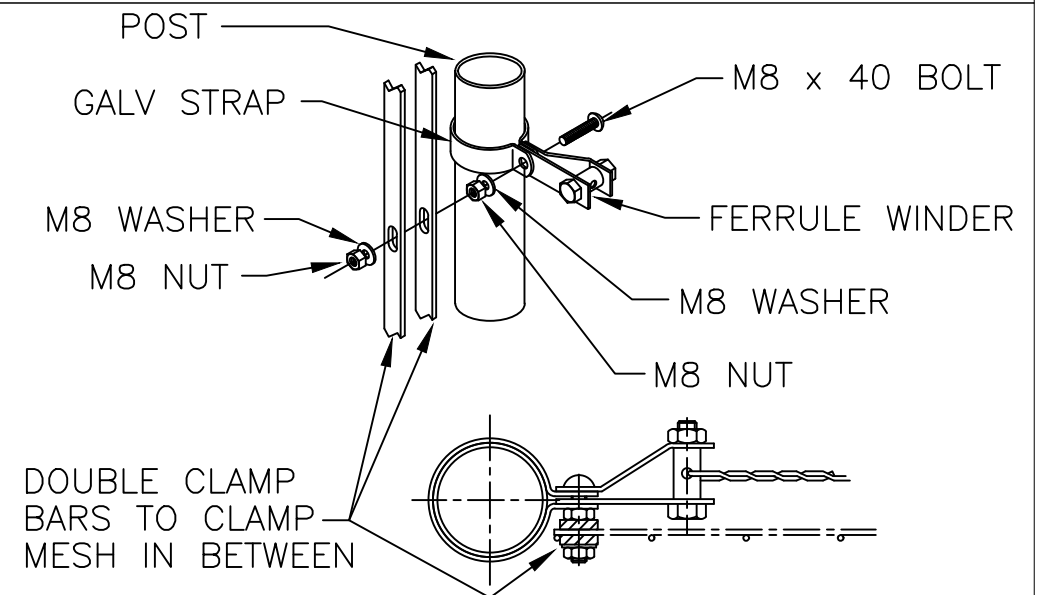
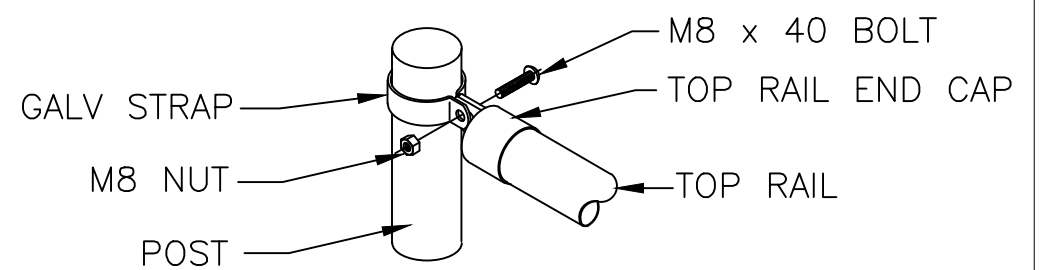


THIS DRAWING IS TO BE USED IN CONJUNCTION WITH INSTALLATION INSTRUCTIONS ON OUR WEBSITE: WWW.JACKSONS-FENCING.CO.UK



2.75mH NOM AND OVER.

HORIZONTAL STRUT KITS SUPPLIED FOR 10ft HIGH & ABOVE TO BE USED AT END OF RUN WHERE STRAINING. KITS CONSISTS OF 6m TOP RAIL TO BE CUT TO LENGTH & TOP RAIL END CAPS + STRAPS TO BE POSITIONED AT 3rd POINTS

Jacksons Fencing

Stowting Common, Near Ashford, Kent. TN25 6BN
Telephone: 01233 750393
Fax: 01233 750403
www.jacksons-fencing.co.uk
www.jacksons-security.co.uk

DO NOT SCALE - IF IN DOUBT ASK

Drawn WB
Date 13/01/07
Checked CJ
Size A3
Scale 1:35 U.O.S

TITLE
TUBULAR CHAINLINK SYSTEM 6

CUSTOMER

ACK No.

Drawing No.
07 J2/01027
Sheet 1A of 5

This Drawing Is The Property Of H.S. Jackson & Son (Fencing) Ltd, And May Not Be Copied Or Reproduced In Any Way Without Prior Written Permission.

04/02/2016 ORIGINAL ISSUE