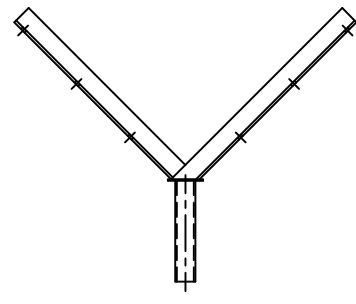
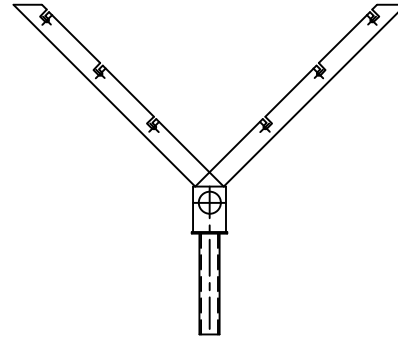


CORNER POST 'Y' TOP

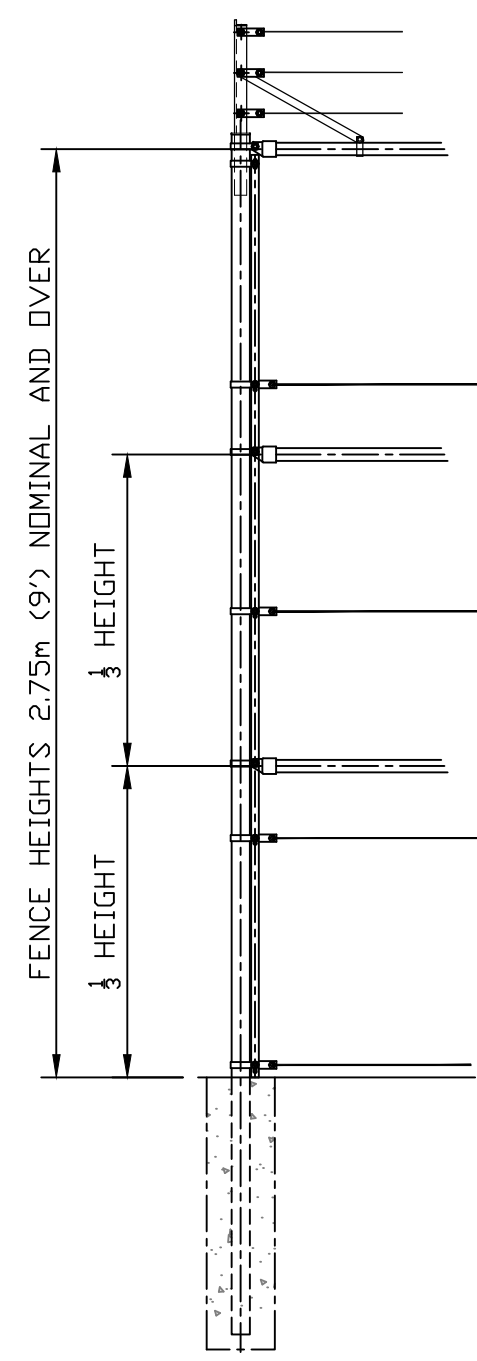
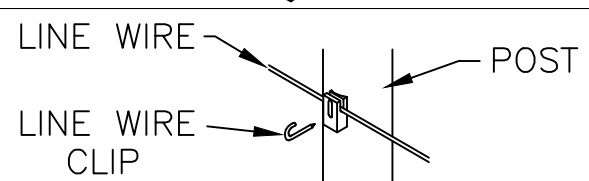
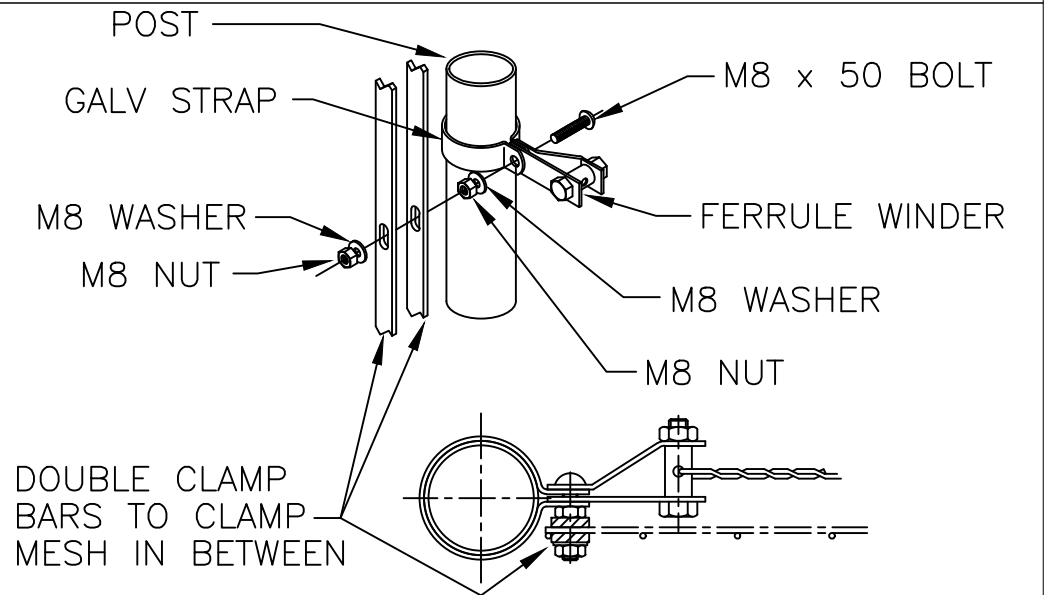
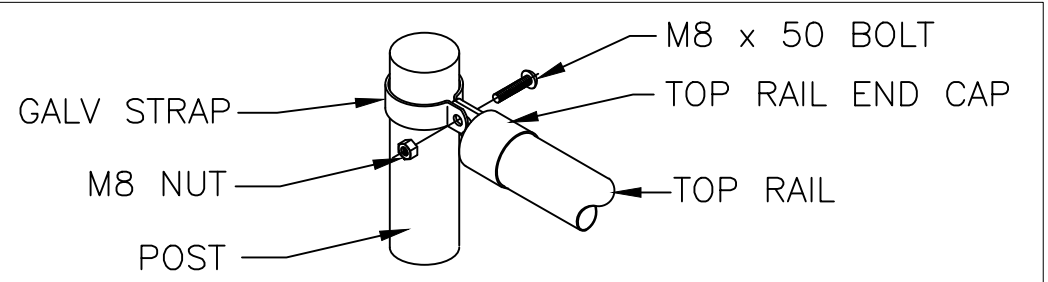


END POST 'Y' TOP  
(INTER STRAINER)

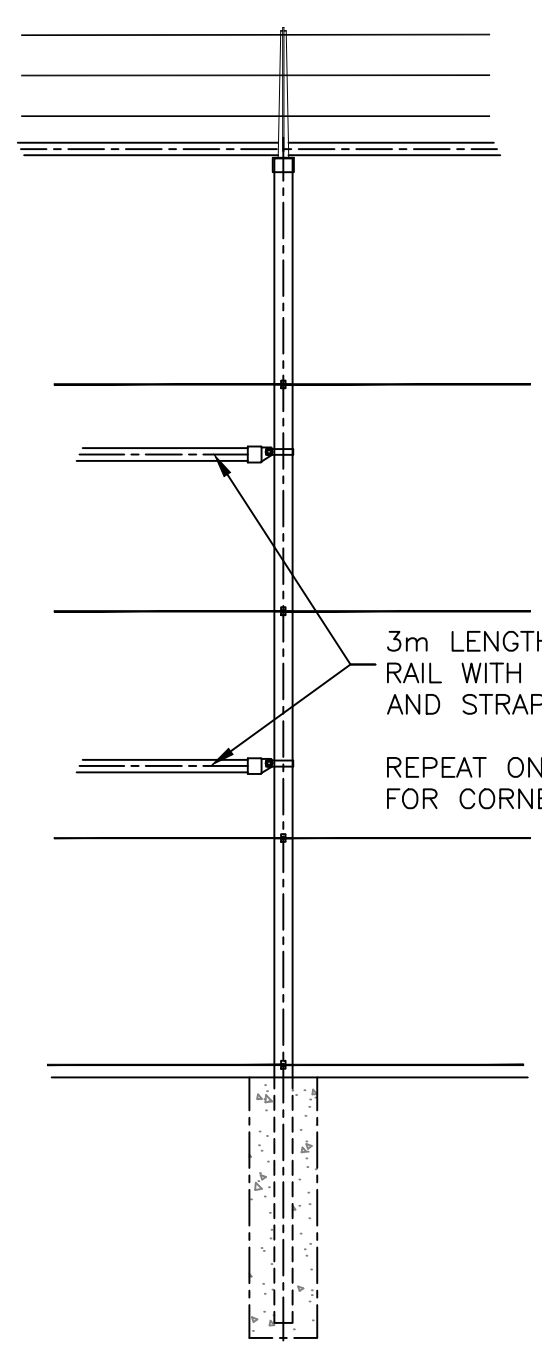


INTER POST 'Y' TOP

THIS DRAWING IS TO BE USED IN CONJUNCTION WITH INSTALLATION INSTRUCTIONS ON OUR WEBSITE: [WWW.JACKSONS-FENCING.CO.UK](http://WWW.JACKSONS-FENCING.CO.UK)



END POST



INTERMEDIATE POST

2.75mH NOM AND OVER.

HORIZONTAL STRUT KITS SUPPLIED FOR 10ft HIGH & ABOVE TO BE USED AT END OF RUN WHERE STRAINING. KITS CONSISTS OF 6m TOP RAIL TO BE CUT TO LENGTH & TOP RAIL END CAPS + STRAPS TO BE POSITIONED AT 3rd POINTS



Stowting Common, Near Ashford, Kent. TN25 6BN  
Telephone: 01233 750393  
Fax: 01233 750403  
[www.jacksons-fencing.co.uk](http://www.jacksons-fencing.co.uk)  
[www.jacksons-security.co.uk](http://www.jacksons-security.co.uk)

This Drawing Is The Property Of H.S. Jackson & Son (Fencing) Ltd, And May Not Be Copied Or Reproduced In Any Way Without Prior Written Permission.

DO NOT SCALE - IF IN DOUBT ASK

04/02/2016 ORIGINAL ISSUE

Drawn	WB
Date	13/01/07
Checked	CJ
Size	A3
Scale	1:35 U.O.S

TITLE	TUBULAR WELDED MESH SYSTEM 6	
CUSTOMER		
ACK No.		
Drawing No.	07 J2/01034	
	Sheet 2 of 3	