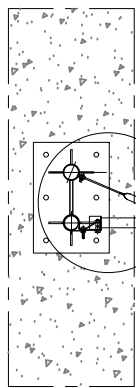
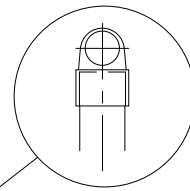
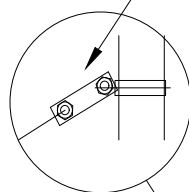


90° TWIST SUPPORT STRUT FITTED TO ENDS/CORNERS & STRAINERS AT TOP OF POST & WHERE RAILS ARE FITTED.

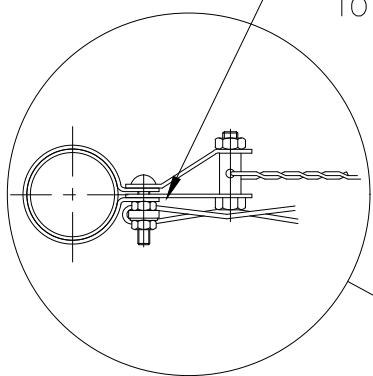


FLAT BAR STRETCHER STRAPPED TO POST AND SPORTS NETTING WIRE TIED TO BAR ON END/CORNER POSTS ONLY.

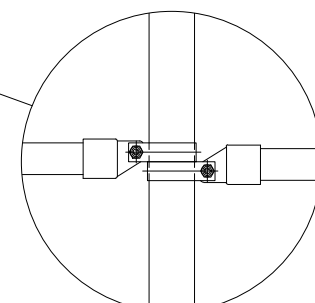
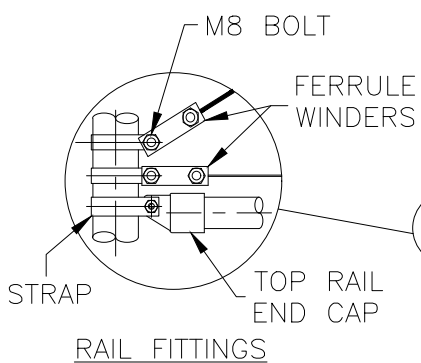
TENSIONING WIRE ATTACHED WITH STRAP & WINDER. RIVET STRAP TO PREVENT IT SLIPPING



'T' CAP INTERMEDIATE POSTS ONLY

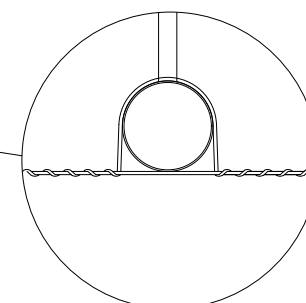


STRETCHER BAR & WINDER FITTINGS



RAIL FITTINGS INTERMEDIATE END BAYS ONLY

FERRULE WINDERS TO TENSION LINE WIRES



STIRRUP WIRE TO FIX LINE WIRE TO INTERMEDIATE POSTS ONLY

FGL
▽

VIEWED FROM OUTSIDE
FENCE MATERIAL CLAD ON INSIDE

BALLSTOP NETTING FITTING DETAILS

NOTES.

ALL DIMENSIONS ARE IN mm (UNO)

Drawn SL	Checked CJ	04/03/2020 NEW BORDER + NOTES 19/07/06 ORIGINAL ISSUE
Date 19/07/06	Size A3	
	Scale 1:30 U.O.S	

DO NOT SCALE – IF IN DOUBT ASK

Jacksons Fencing

Stowting Common, Near Ashford, Kent. TN25 6BN
 Telephone: 01233 750393 Fax: 01233 750403
 Int. Tel: +44 (0)1233 750393
 www.jacksons-fencing.co.uk
 www.jacksons-security.co.uk

TITLE SALES DRAWING – BALLSTOP FENCING FOR NETTING – CONNECTORS

CUSTOMER

Drawing No.

J2/04041

ACK No.

Sheet 4

This Drawing Is The Property Of H.S. Jackson & Son (Fencing) Ltd.
 And May Not Be Copied Or Reproduced In Any Way Without Prior Written Permission.