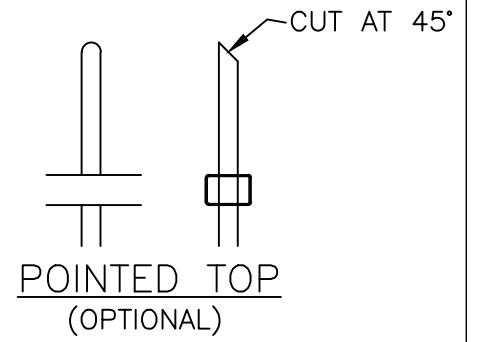
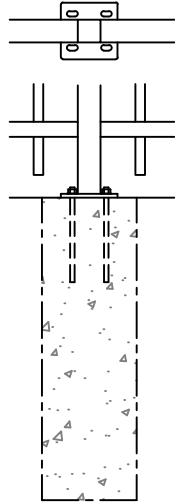


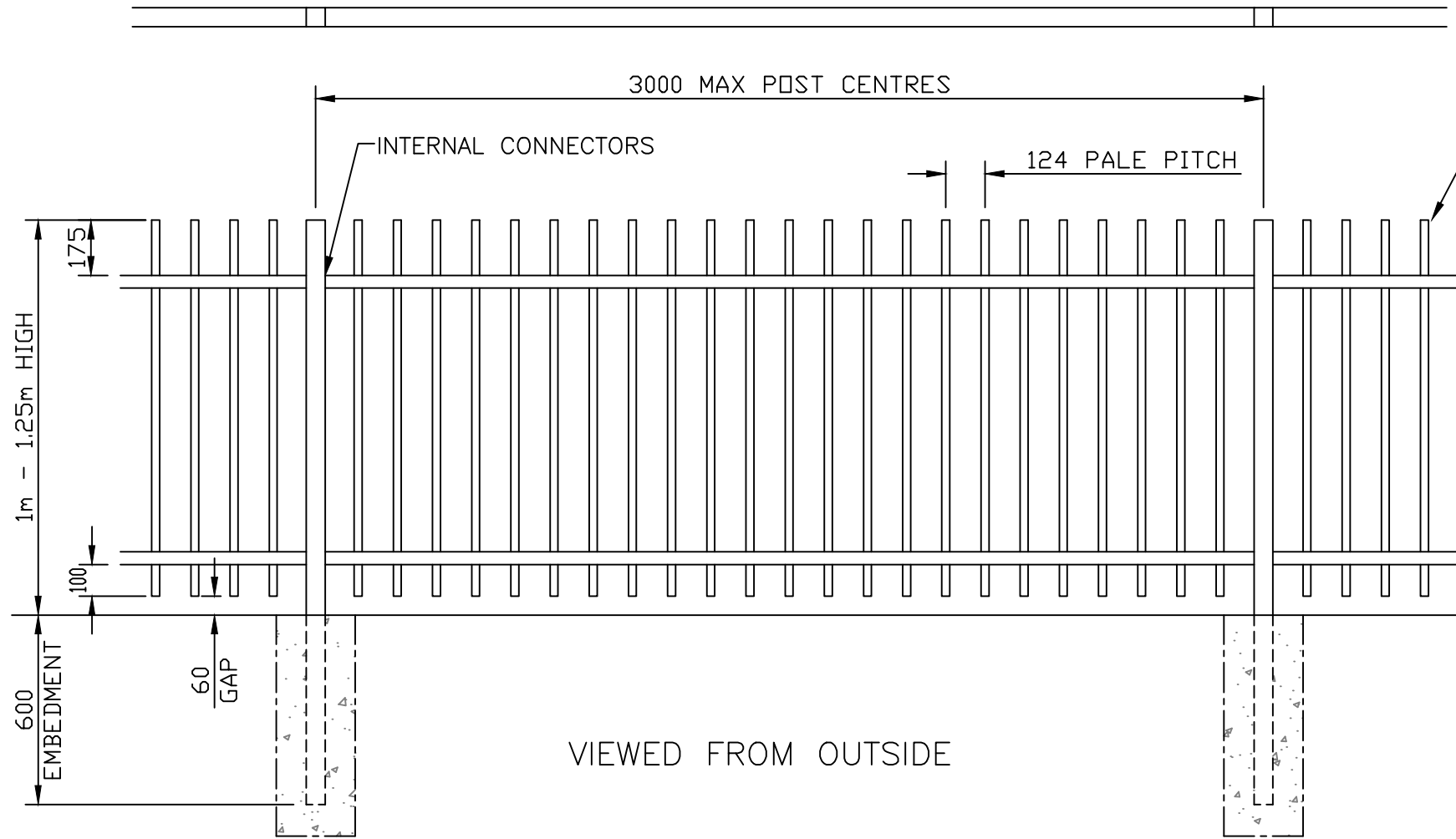
FOR OPTIONAL FINIAL TOPPINGS
REFER TO DRAWING J1/01064



BASEPLATES SLOTTED FOR
M12 CHEMICAL FIXINGS

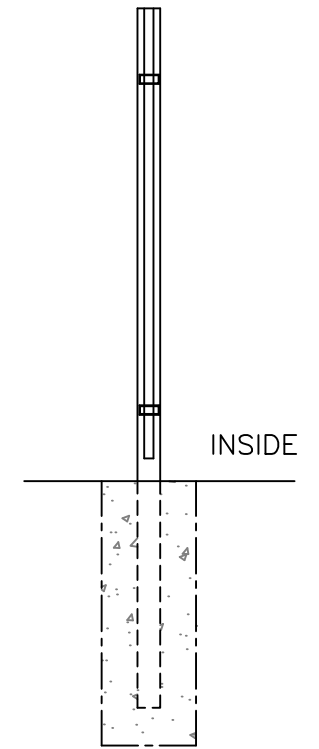


OPTIONAL
BASEPLATED POSTS



VIEWED FROM OUTSIDE

FLAT TOP PALES
(CAN BE PLUGGED IF REQUIRED)
POINTED TOP AVAILABLE IF REQUIRED
BUT ONLY IF OVERALL FENCE HEIGHT
IS 1.5m MIN FROM GROUND LEVEL



NOTES.

ALL DIMENSIONS ARE IN mm (UNO)
GAPS UNDER FENCING ARE
NOMINAL DUE TO GROUND LEVELS.
FOUNDATION SIZES ARE DEPENDANT
UPON SITE CONDITIONS.

MATERIALS.

FENCE POST: 60 x 60 SHS (TYPICAL)
(ASSESSED TO SUIT SITE LOCATION)
RAILS: 60 x 40 RHS
PALES: \varnothing 25 CHS

FINISH.

GALVANISED TO BS EN ISO 1461
POWDER COATED: IF REQUESTED



Stowting Common, Near Ashford,
Kent. TN25 6BN
Telephone: 01233 750393
Fax: 01233 750403
www.jacksons-fencing.co.uk
www.jacksons-security.co.uk

DO NOT SCALE – IF IN DOUBT ASK

| | | |
|---|------------|--------------------|
| 4 | 26/02/2020 | NEW BORDER + NOTES |
| 3 | 29.01.14 | Galv Note Updated |
| 2 | 17/09/10 | NOTE UPDATED |
| 1 | 22/01/10 | UPDATED |
| 0 | 23/05/00 | ORIGINAL ISSUE |

| | |
|---------|---------------|
| Drawn | CAJ |
| Date | 23/05/00 |
| Checked | CJ |
| Size | A3 |
| Scale | 1:20 U.O.S |

| | |
|-------------|-----------------------------------------|
| TITLE | SALES DRAWING |
| | 1m – 1.25m HIGH BARBICAN IMPERIAL FENCE |
| CUSTOMER | |
| ACK No. | |
| Drawing No. | J1/01064 |
| | Sheet 8 |

This Drawing Is The Property Of H.S. Jackson & Son (Fencing) Ltd, And May Not Be Copied Or Reproduced In Any Way Without Prior Written Permission.