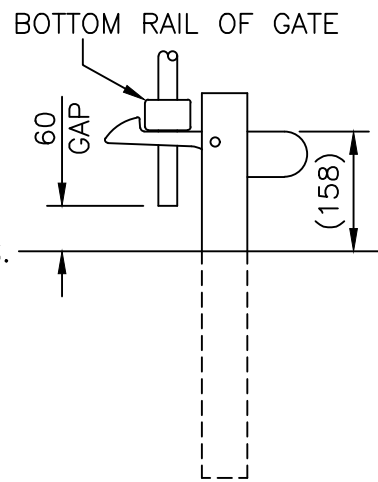


REFER TO SHEET 4 FOR OPTIONAL ROTASPIKE TOPPING

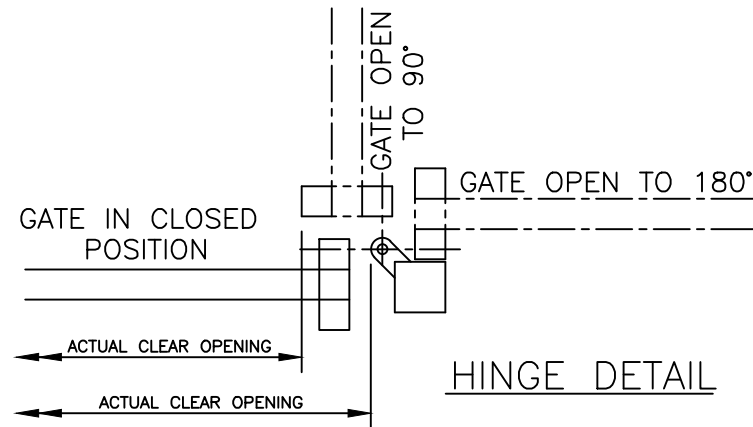
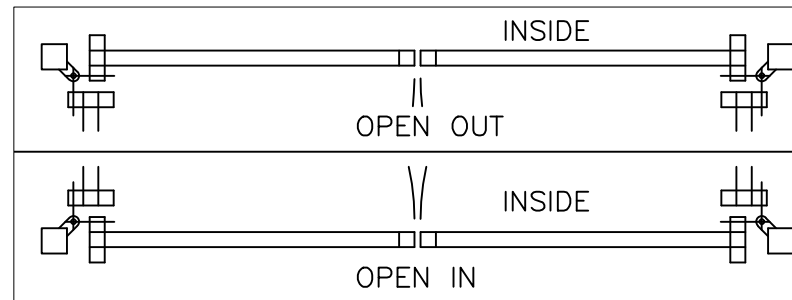


HOLD BACK LATCH
TO HOLD OPEN GATE
(SCALE 1:10)

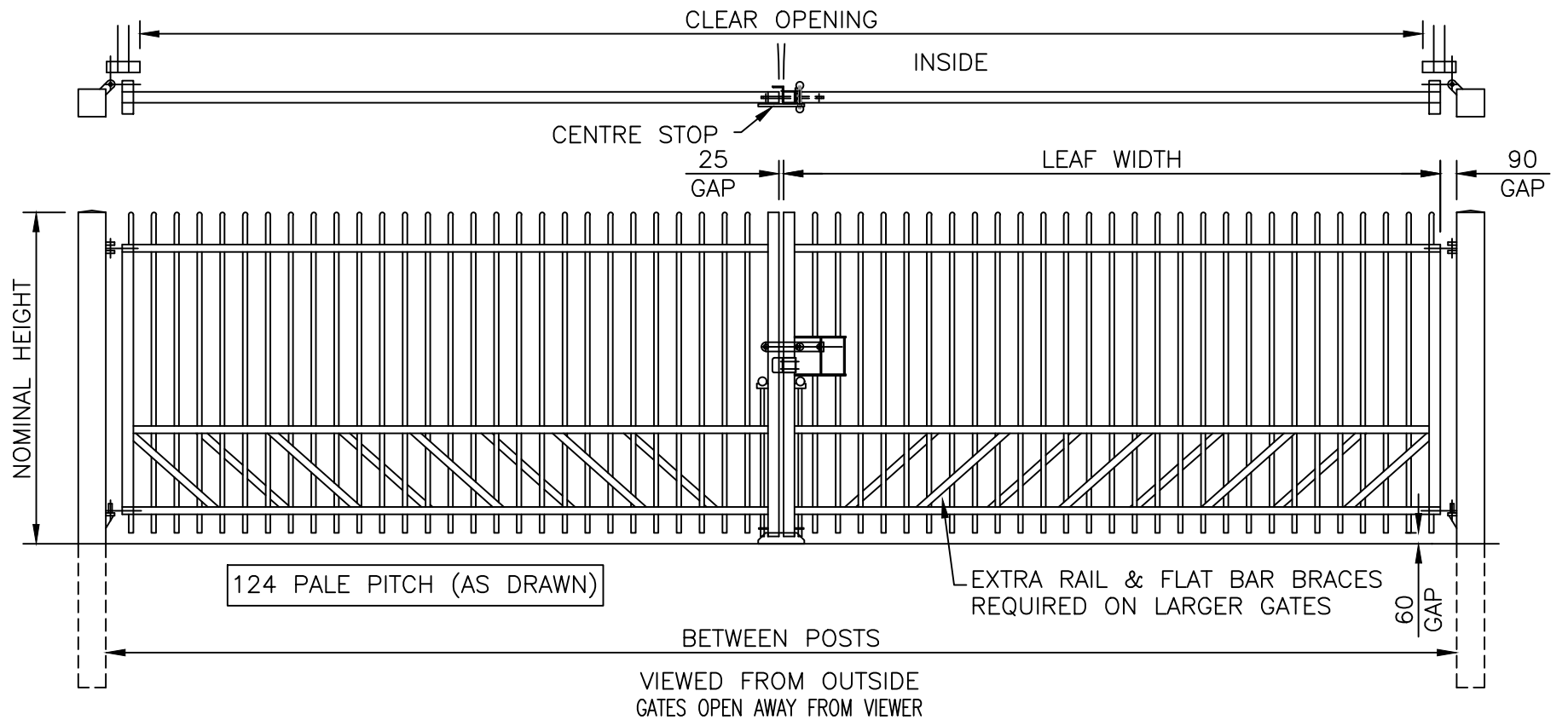
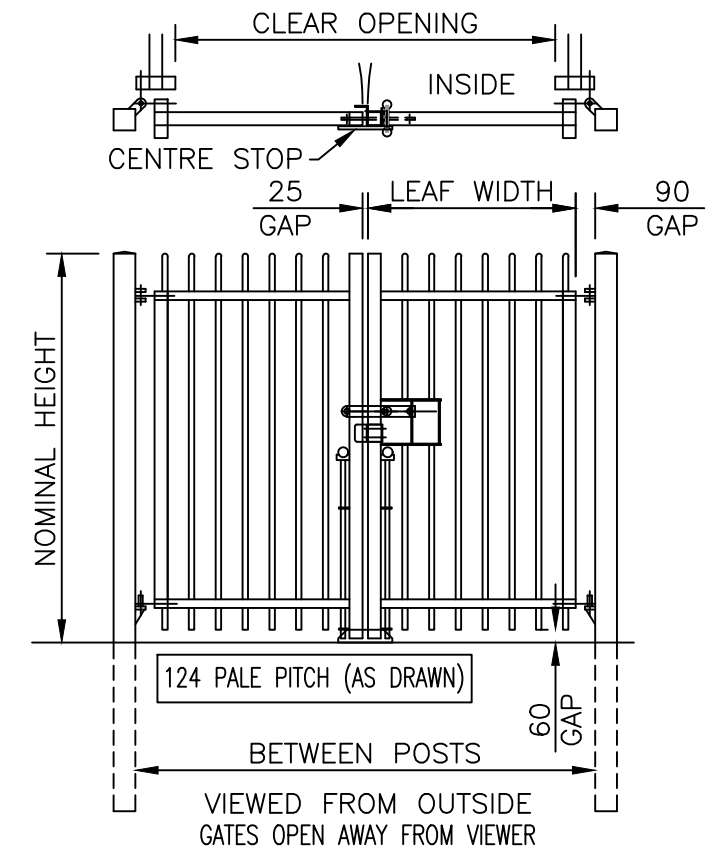
NOTES.
ALL DIMENSIONS ARE IN mm (UNO)
GAPS UNDER GATES & FENCING ARE NOMINAL DUE TO GROUND LEVELS.
REFER TO DRAWING J1/04047 FOR GATE SIZE RANGE & DIMENSIONS.

MATERIALS.
HANG POST: ASSESSED TO SUIT
RAILS: 60 x 40 RHS
STILES: 60 x 60 SHS
PALES: UPTO 2m High: Ø25 CHS @ 124 PALE PITCH
PALES: ABOVE 2m High: Ø32 CHS @ 129 PALE PITCH

FINISH.
GALVANISED TO BS EN ISO 1461
POWDER COATED: IF REQUESTED



GATES SECURED USING DROPBOLTS & PADLOCKABLE SLIDE LATCH (PADLOCK NOT SUPPLIED)
FOR OPTIONAL KEY LOCK REFER TO DRAWING J1/02111 FOR DETAILS.



Jacksons Fencing

Stowting Common, Near Ashford,
Kent. TN25 6BN
Telephone: 01233 750393
Fax: 01233 750403
www.jacksons-fencing.co.uk
www.jacksons-security.co.uk

DO NOT SCALE - IF IN DOUBT ASK

1 02/03/2020 NEW BORDER - LATCH - NOTES
0 22/09/08 ORIGINAL ISSUE

Drawn SL
Date 22/09/2008
Checked CJ
Size A3
Scale 1:35 U.O.S

TITLE SALES & INSTALLATION DRAWING
BARBICAN IMPERIAL DOUBLE GATES
CUSTOMER
ACK No.
Drawing No.
J1/02150
Sheet 2

This Drawing Is The Property Of H.S. Jackson & Son (Fencing) Ltd, And May Not Be Copied Or Reproduced In Any Way Without Prior Written Permission.