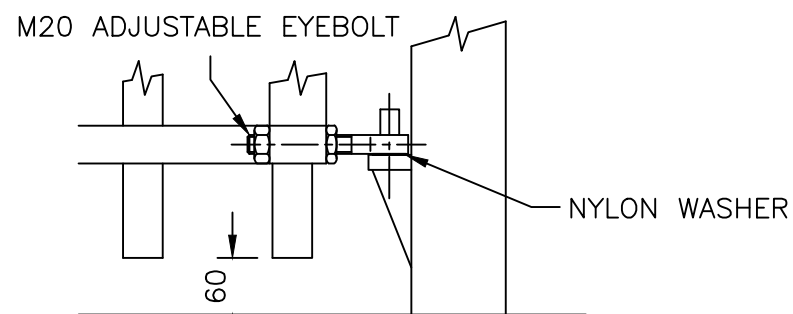
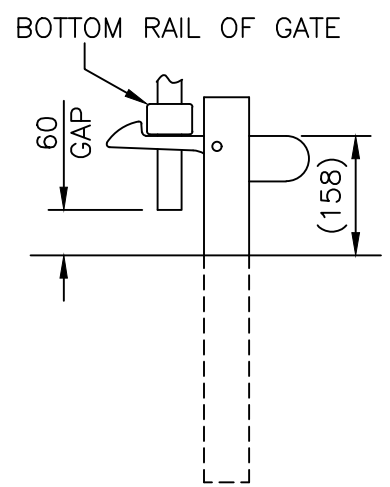


TOP HINGE DETAIL
(SCALE 1:8)



BOTTOM HINGE DETAIL
(SCALE 1:8)



HOLD BACK LATCH
TO HOLD OPEN GATE
(SCALE 1:10)

NOTES.

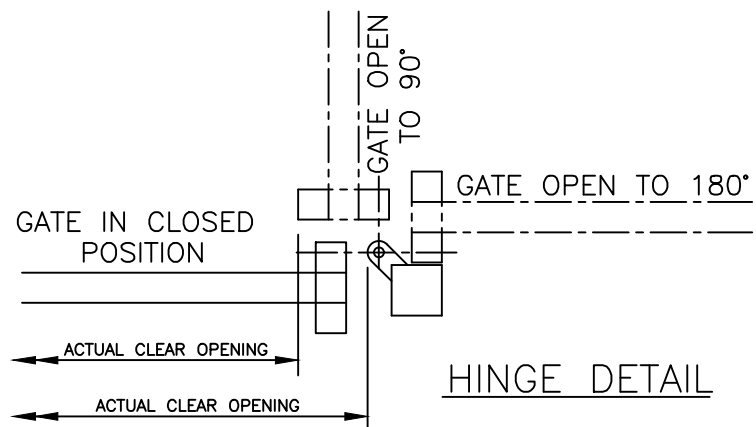
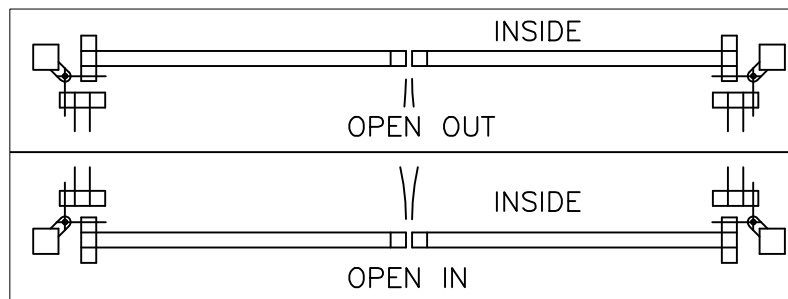
ALL DIMENSIONS ARE IN mm (UNO)
GAPS UNDER GATES & FENCING
ARE NOMINAL DUE TO GROUND LEVELS.
REFER TO DRAWING J1/04047 FOR
GATE SIZE RANGE & DIMENSIONS.

MATERIALS.

HANG POST: ASSESSED TO SUIT
RAILS: 60 x 40 RHS
STILES: 60 x 60 SHS
PALES: ø32 CHS

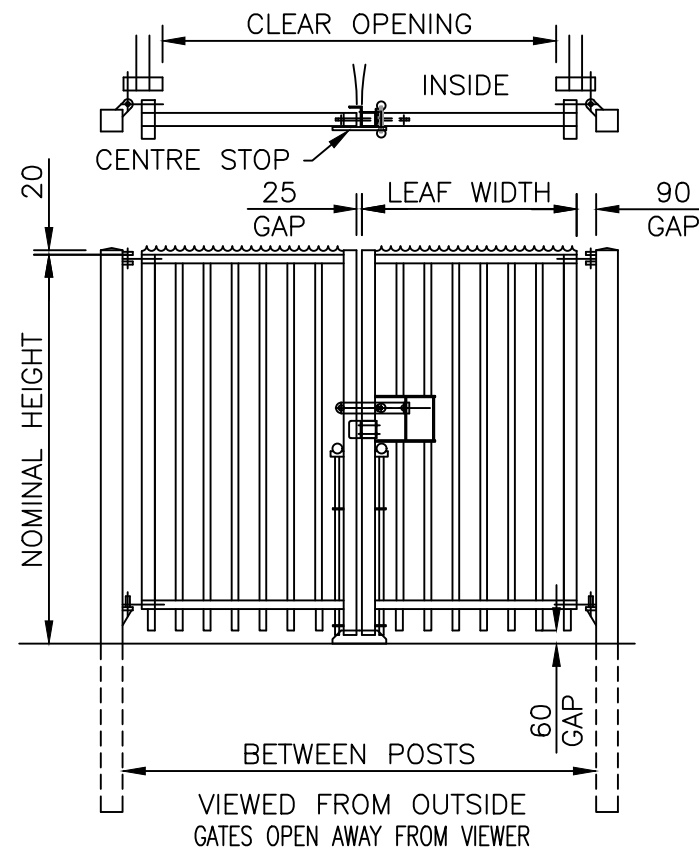
FINISH.

GALVANISED TO BS EN ISO 1461
POWDER COATED: IF REQUESTED

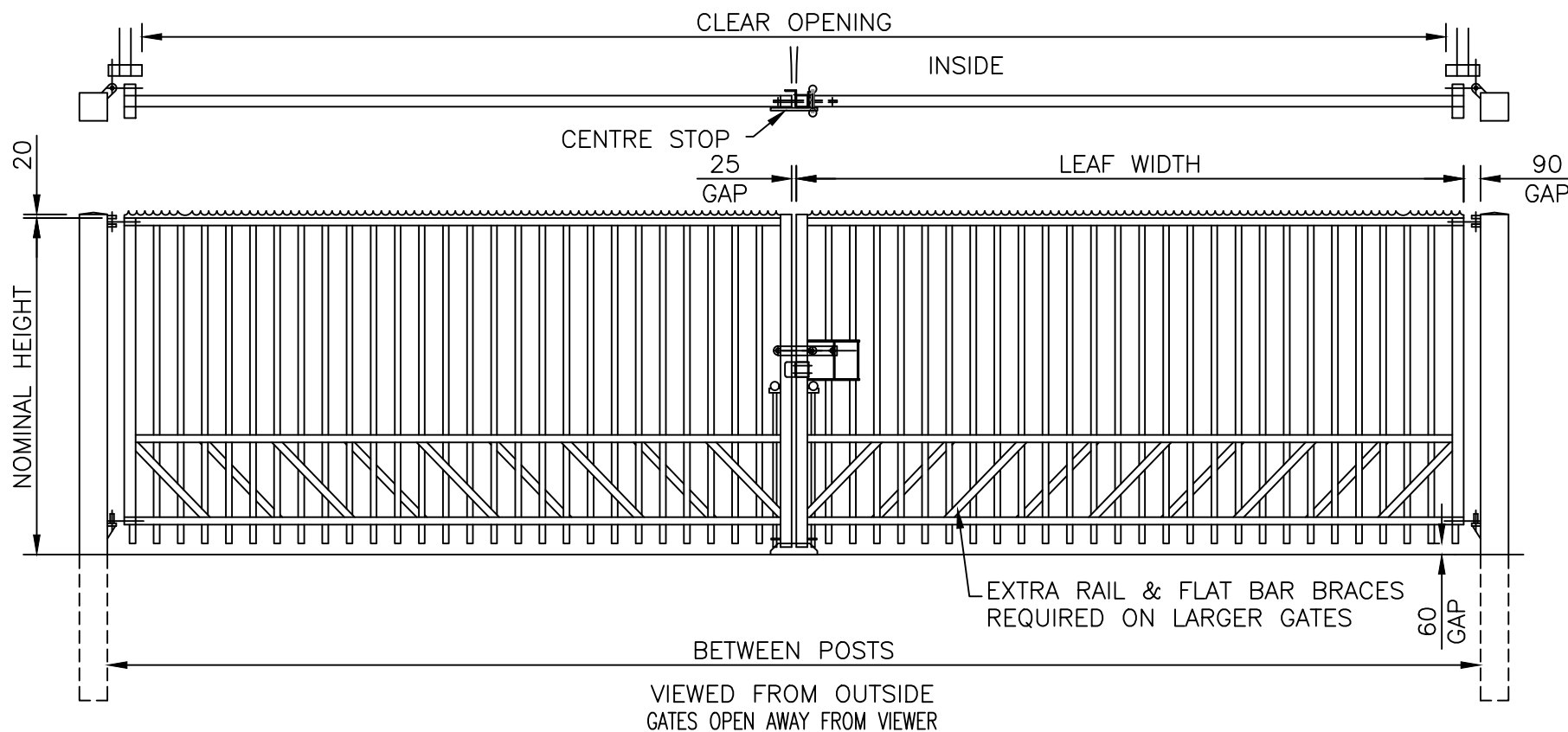


HINGE DETAIL

GATES SECURED USING DROPBOLTS & PADLOCKABLE SLIDE LATCH (PADLOCK NOT SUPPLIED)
FOR OPTIONAL KEY LOCK REFER TO DRAWING J1/02111 FOR DETAILS.



VIEWED FROM OUTSIDE
GATES OPEN AWAY FROM VIEWER



VIEWED FROM OUTSIDE
GATES OPEN AWAY FROM VIEWER



Stowting Common, Near Ashford,
Kent. TN25 6BN
Telephone: 01233 750393
Fax: 01233 750403
www.jacksons-fencing.co.uk
www.jacksons-security.co.uk

DO NOT SCALE - IF IN DOUBT ASK

- ⑥ 24/02/2020 NEW BORDER - LATCH - NOTES
- ⑤ 06/01/06 UPDATED
- ④ 21/03/05 DROPBOLTS REMOVED
- ① 2/12/97 RAILS REVISED
- ① 1/07/96 Original Issue

Drawn	YH
Date	01/07/1996
Checked	CJ
Size	A3
Scale	1:35 U.O.S

TITLE SALES & INSTALLATION DRAWING
SENTRY DOUBLE GATES

CUSTOMER

Drawing No.

J6/02042

ACK No.

Sheet 1