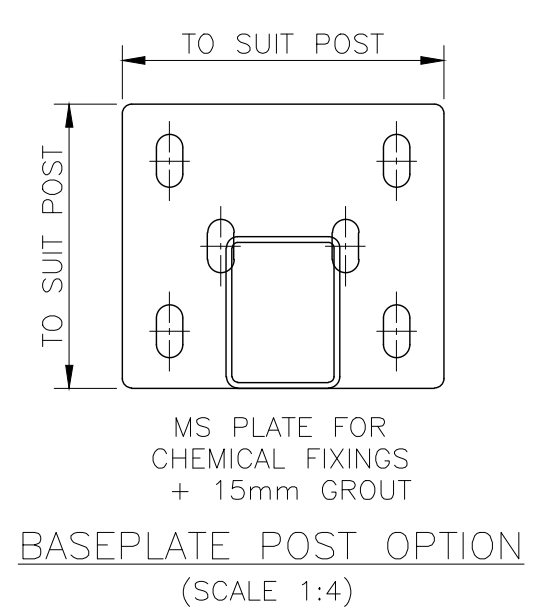
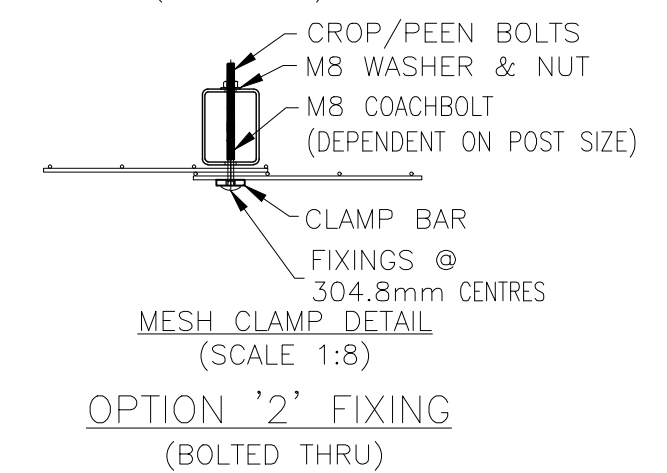
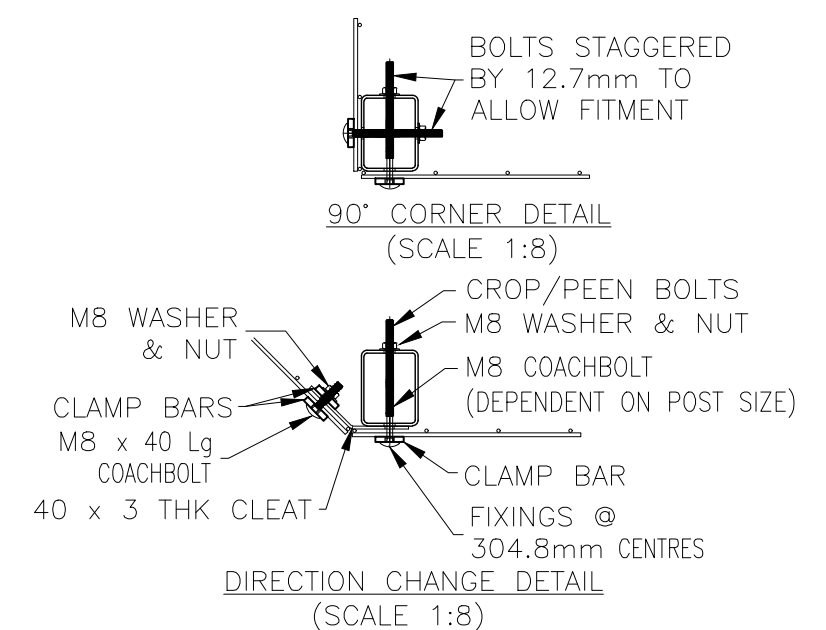


OPTION 'A' (304.8mm CENTRES)

OPTION 'B' (152.4mm CENTRES)



NOTES.
ALL DIMENSIONS ARE IN mm (UNO)
GAPS UNDER FENCING ARE NOMINAL DUE TO GROUND LEVELS.

MATERIALS.
FENCE POST: ASSESSED TO SUIT SITE LOCATION.
CLAMP BARS: 30 x 6 MS FLAT
FINISH.
GALVANISED TO BS EN ISO 1461
POWDER COATED: IF REQUESTED

Jacksons Fencing

Stowting Common, Near Ashford, Kent. TN25 6BN
Telephone: 01233 750393
Fax: 01233 750403
www.jacksons-fencing.co.uk
www.jacksons-security.co.uk

This Drawing Is The Property Of H.S. Jackson & Son (Fencing) Ltd, And May Not Be Copied Or Reproduced In Any Way Without Prior Written Permission.

DO NOT SCALE – IF IN DOUBT ASK

8	05/02/2024	POST SIZE SPECIFICATION AMENDED
7	13/10/2016	MORE DETAILS ADDED
6	25/07/16	Clamp Bars & Options Added
5	03/02/15	Post Ctrs and Overlap
4	28/01/14	General Material Notes

Drawn	WB
Date	13/10/2016
Checked	CJ
Size	A3
Scale	1:20 U.O.S

TITLE	SALES DRAWING	
	1.27m HIGH SECURIMESH FENCE	
CUSTOMER		
ACK No.		
Drawing No.	J6/04030	
	Sheet 1	