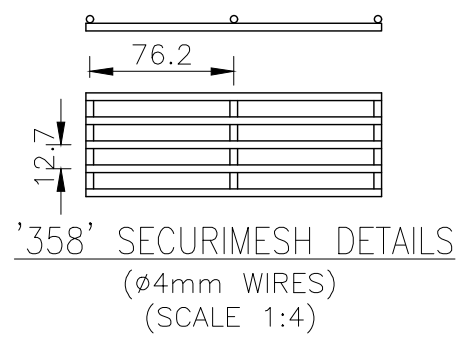
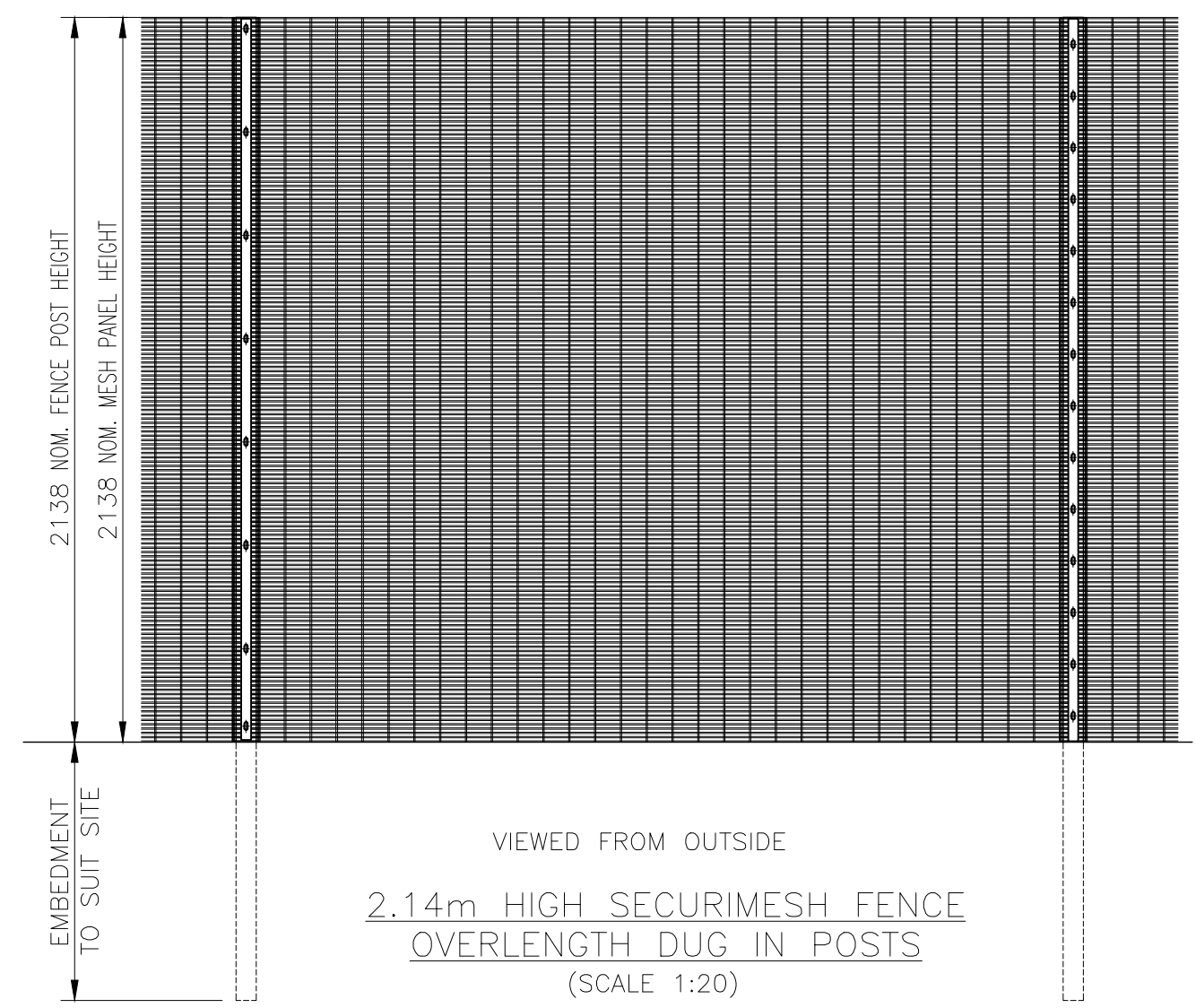
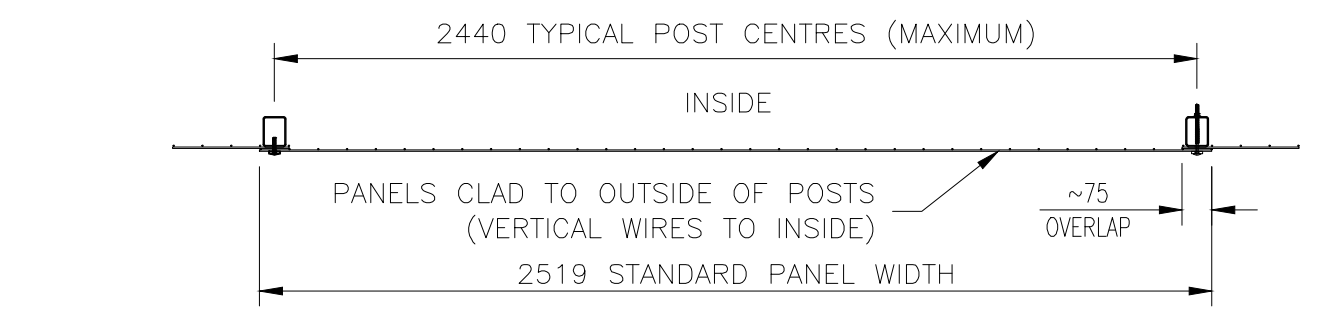


OPTION '1' FIXING  
(FACE FIXED)



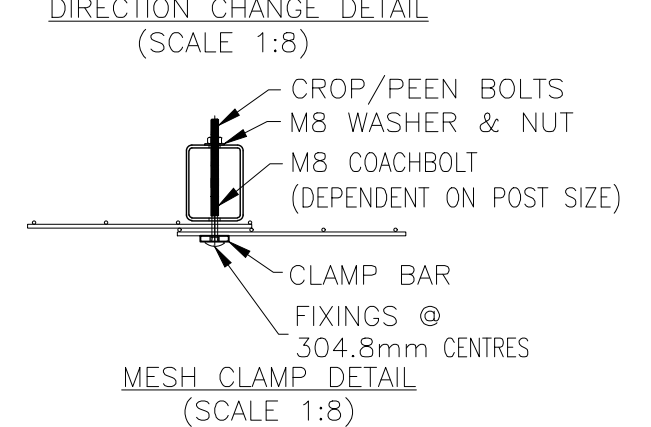
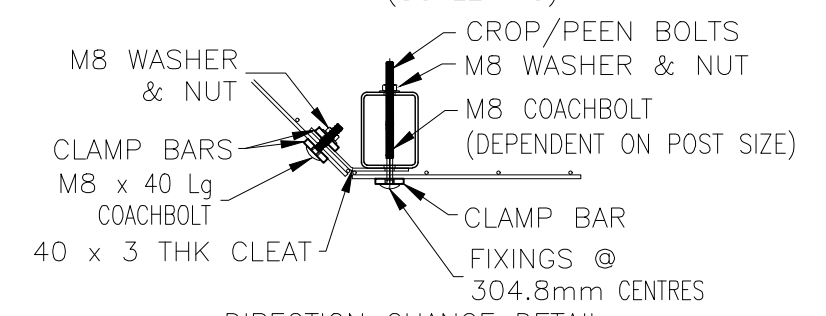
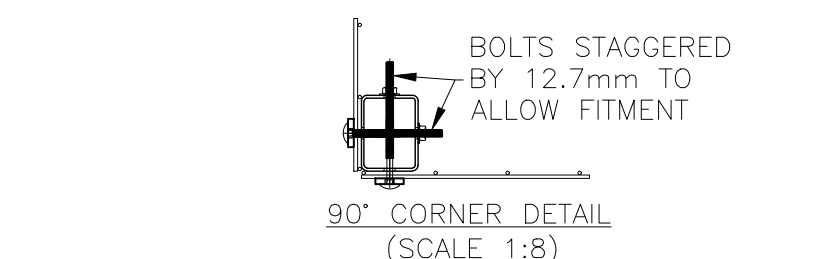
**NOTES.**  
ALL DIMENSIONS ARE IN mm (UNO)  
GAPS UNDER FENCING ARE NOMINAL DUE TO GROUND LEVELS.

**MATERIALS.**  
FENCE POST: ASSESSED TO SUIT SITE LOCATION.  
CLAMP BARS: 30 x 6 MS FLAT  
**FINISH.**  
GALVANISED TO BS EN ISO 1461  
POWDER COATED: IF REQUESTED

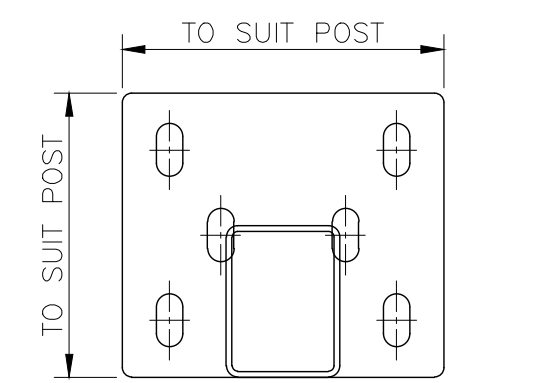


OPTION 'A'  
(304.8mm CENTRES)

OPTION 'B'  
(152.4mm CENTRES)



OPTION '2' FIXING  
(BOLTED THRU)



MS PLATE FOR CHEMICAL FIXINGS + 15mm GROUT  
BASEPLATE POST OPTION  
(SCALE 1:4)



Stowting Common, Near Ashford, Kent. TN25 6BN  
Telephone: 01233 750393  
Fax: 01233 750403  
www.jacksons-fencing.co.uk  
www.jacksons-security.co.uk

DO NOT SCALE – IF IN DOUBT ASK

7	05/02/2024	POST SIZE SPECIFICATION AMENDED
6	13/10/2016	MORE DETAILS ADDED
5	25/07/16	Clamp Bars & Options Added
4	03/02/15	Post Ctrs and Overlap
3	28/01/14	General Material Notes

Drawn	WB
Date	13/10/2016
Checked	CJ
Size	A3
Scale	1:20 U.O.S

TITLE	SALES DRAWING	
	2.14m HIGH SECURIMESH FENCE	
CUSTOMER		
ACK No.		
Drawing No.	J6/04030	
	Sheet 2	

This Drawing Is The Property Of H.S. Jackson & Son (Fencing) Ltd, And May Not Be Copied Or Reproduced In Any Way Without Prior Written Permission.