

NOTES.

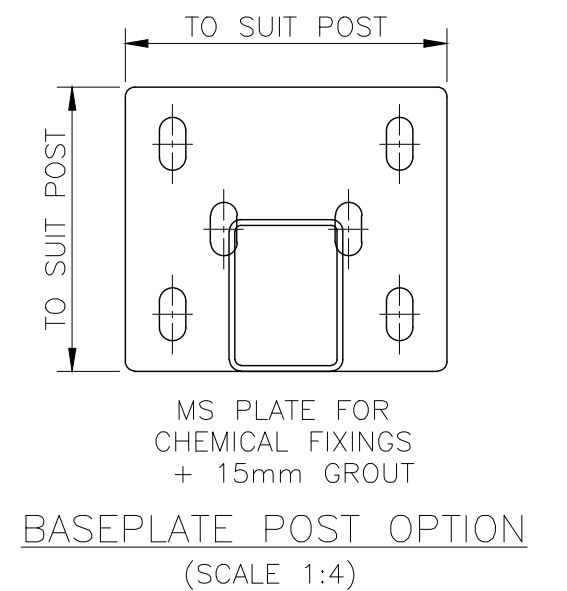
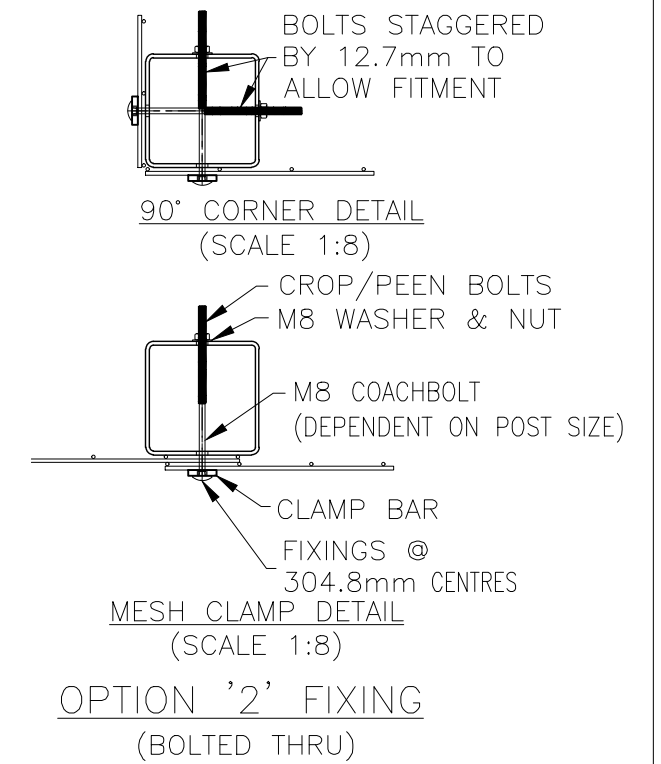
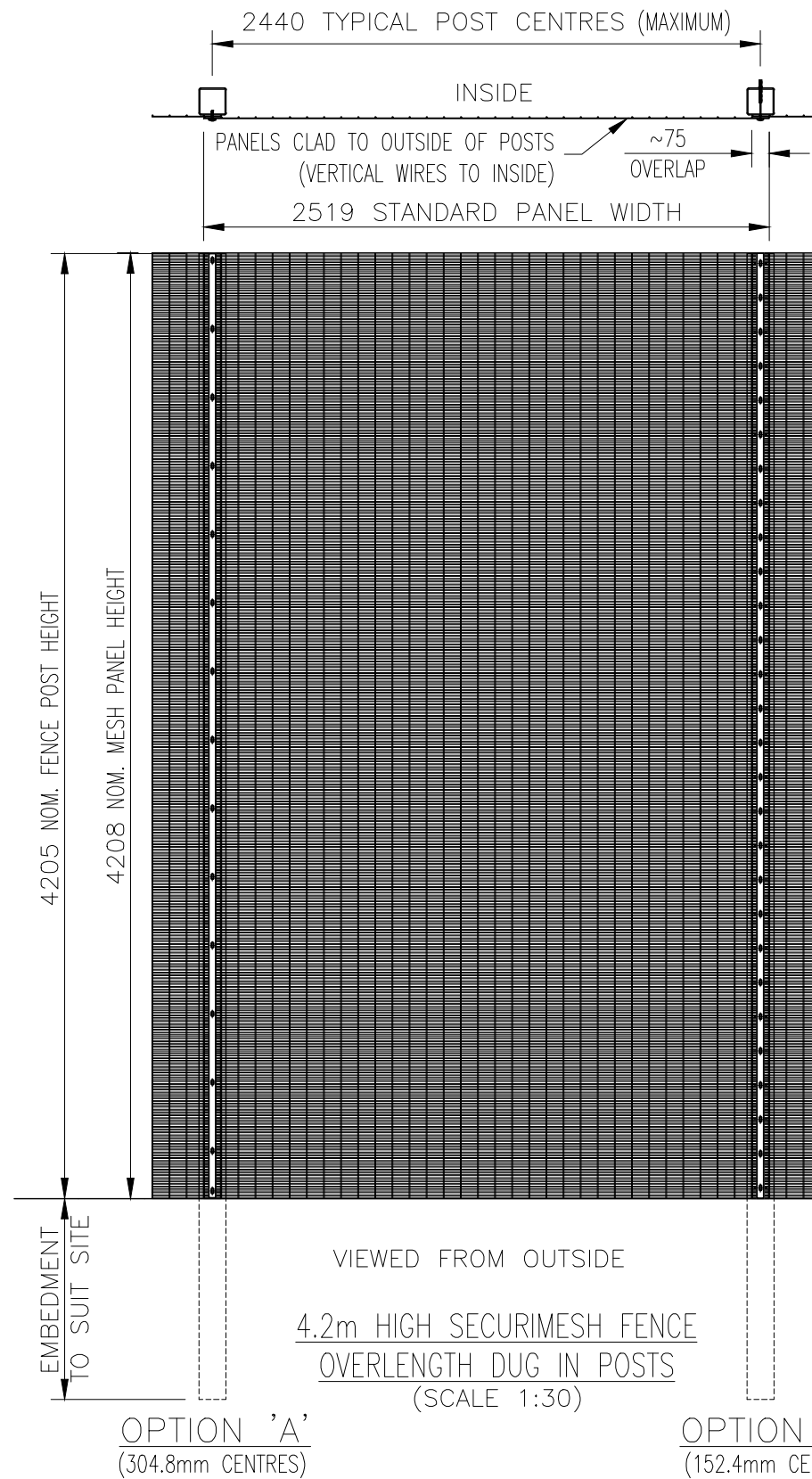
ALL DIMENSIONS ARE IN mm (UNO)
GAPS UNDER FENCING ARE NOMINAL DUE TO GROUND LEVELS.

MATERIALS.

FENCE POST: ASSESSED TO SUIT SITE LOCATION.
CLAMP BARS: 30 x 6 MS FLAT

FINISH.

GALVANISED TO BS EN ISO 1461
POWDER COATED: IF REQUESTED



Jacksons Fencing

Stowting Common, Near Ashford,
Kent. TN25 6BN
Telephone: 01233 750393
Fax: 01233 750403
www.jacksons-fencing.co.uk
www.jacksons-security.co.uk

This Drawing Is The Property Of H.S. Jackson & Son (Fencing) Ltd, And May Not Be Copied Or Reproduced In Any Way Without Prior Written Permission.

DO NOT SCALE – IF IN DOUBT ASK

- 8 05/02/2024 POST SIZE SPECIFICATION AMENDED
- 7 13/10/2016 MORE DETAILS ADDED
- 6 25/07/16 Clamp Bars & Options Added
- 5 03/02/15 Post Ctrs and Overlap
- 4 28/01/14 Post Section

Drawn	WB
Date	13/10/2016
Checked	CJ
Size	A3
Scale	1:30 U.O.S

TITLE	SALES DRAWING	
	4.2m HIGH SECURIMESH FENCE	
CUSTOMER		
ACK No.	J6/04030 Sheet 5	