

NOTES.

ALL DIMENSIONS ARE IN mm (UNO)
 GAPS UNDERNEATH GATES & FENCING ARE NOMINAL DUE TO GROUND LEVELS.
 PANELS CAN BE REDUCED IN WIDTH TO SUIT THE SITE.
 TIMBER SECTIONS OF PANELS TO BE ASSEMBLED ON SITE.
 POSTS TO BE INSTALLED 20mm ABOVE TOP OF PANEL.
 ONCE STEEL FENCE IS FULLY INSTALLED, SLATS TO BE INSERTED BETWEEN WIRES.
 TOP & BOTTOM CAPPING STRIPES TO BE INSTALLED USING WOODSCREWS @ 500mm MINIMUM CENTRES.
 POST COVER STRIPS FITTED USING 4 No. CSK TEK SCREWS. REFER TO JFW15.pdf FOR INSTALLATION DETAILS

MATERIALS – MILD STEEL.

POSTS: 80 x 60 RHS (TYPICAL)
 (POSTS ASSESSED TO SUIT SITE LOCATION)
 MESH PANELS: Ø5mm WIRES

FIXINGS.

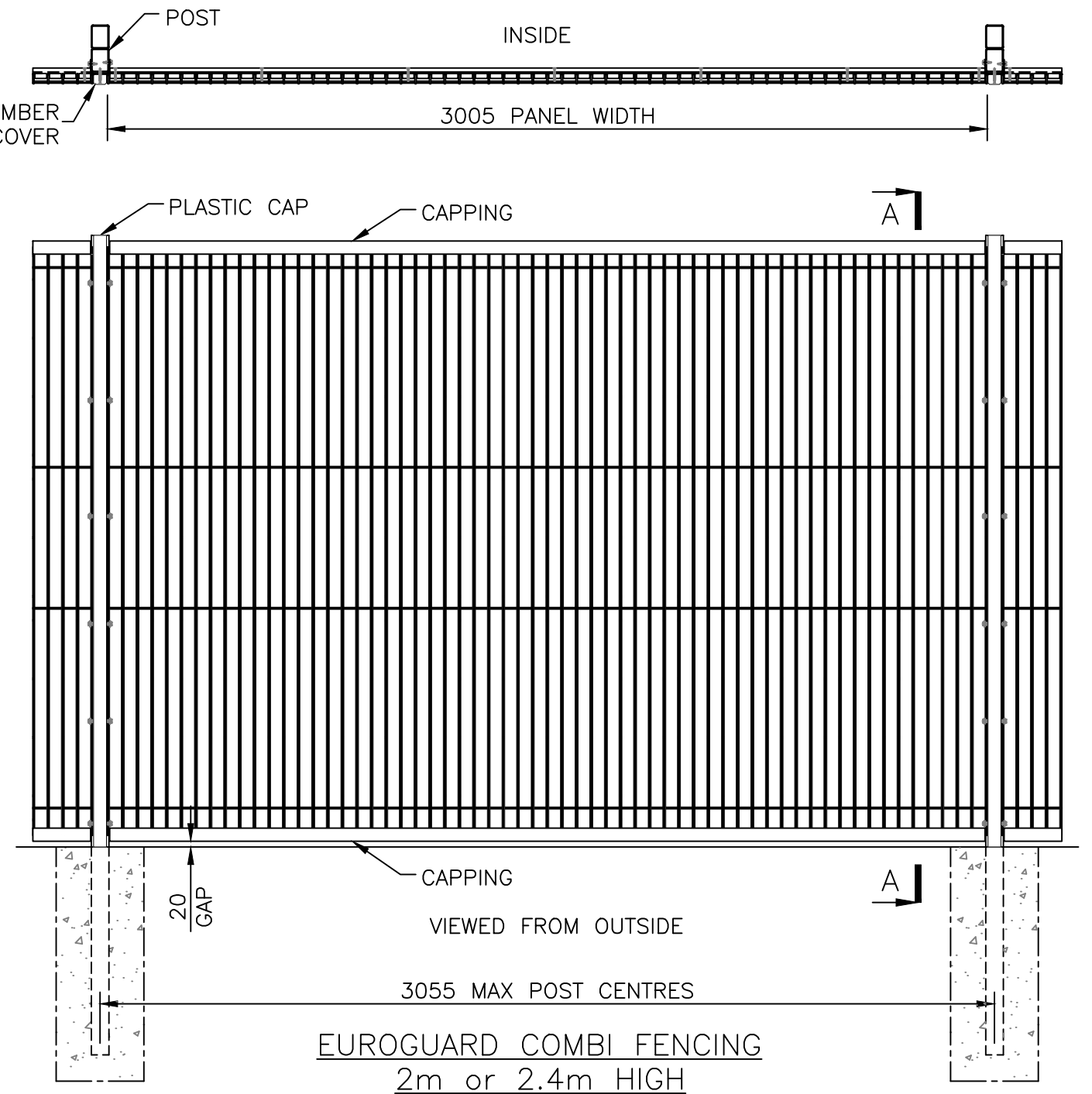
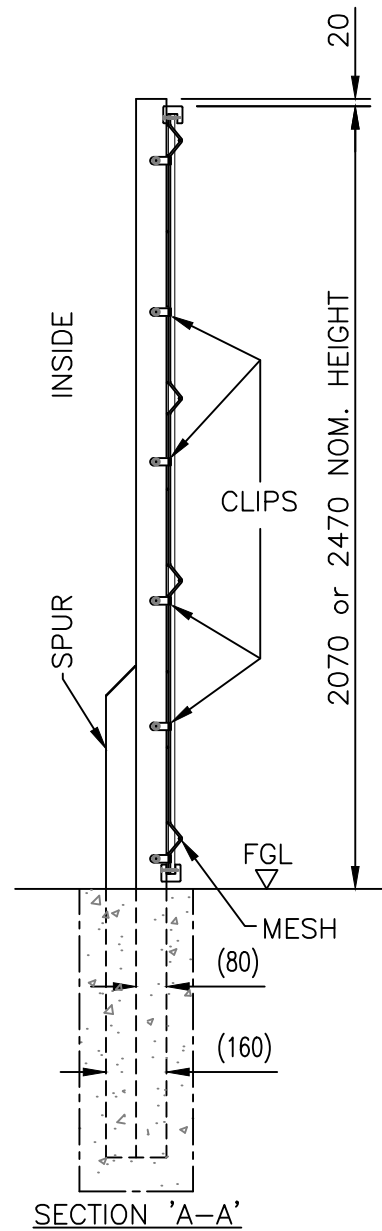
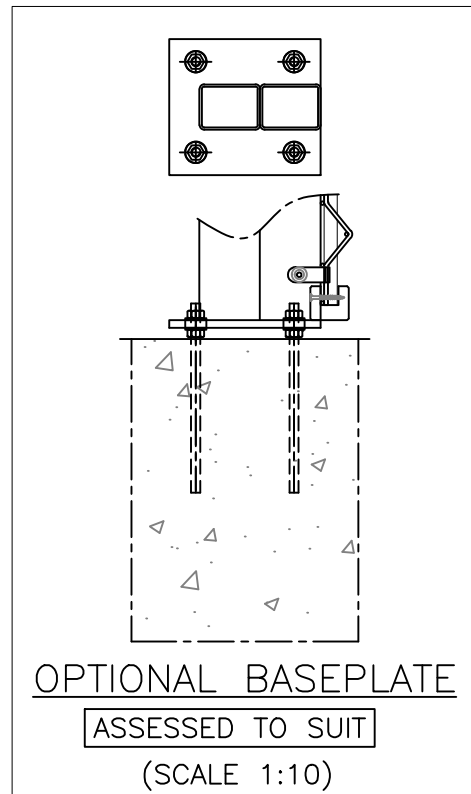
2.0m HIGH – 5 CLIPS PER POST
 2.4m HIGH – 6 CLIPS PER POST

MATERIALS – TIMBER.

SLATS – 40 x 17 THICK PAR
 GROOVED CAPPING – 45 x 51 THICK PAR
 POST COVER STRIP – 35 x 44 THICK PAR

FINISH.

STEEL: GALVANISED TO BS EN ISO 1461
 POWDER COATED: IF REQUIRED
 TIMBER: JAKCURED



Stowting Common, Near Ashford,
 Kent. TN25 6BN
 Telephone: 01233 750393
 Fax: 01233 750403
 www.jacksons-fencing.co.uk
 www.jacksons-security.co.uk

This Drawing Is The Property Of H.S. Jackson & Son (Fencing) Ltd, And May Not Be Copied Or Reproduced In Any Way Without Prior Written Permission.

DO NOT SCALE – IF IN DOUBT ASK

9	19/02/2020	BASEPLATE OPTION + MATERIAL NOTES
8	30/12/2018	CLIP DETAIL ADDED
7	24/08/16	Sheet 4 Added
6	08/10/12	Sheet 3 Added
5	04/07/2011	SLAT Qty corrected

Drawn	JR
Date	02/04/2008
Checked	Chris J
Size	A3
Scale	1:20 U.O.S

TITLE	SALES DRAWING
	EUROGUARD COMBI FENCE – 2m & 2.4m HIGH
CUSTOMER	
ACK No.	
Drawing No.	J7/01049
	Sheet 1