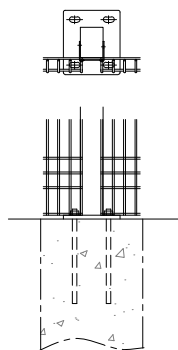
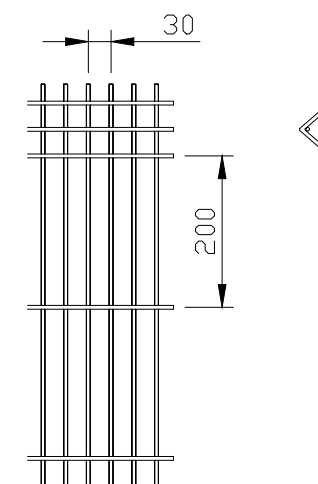
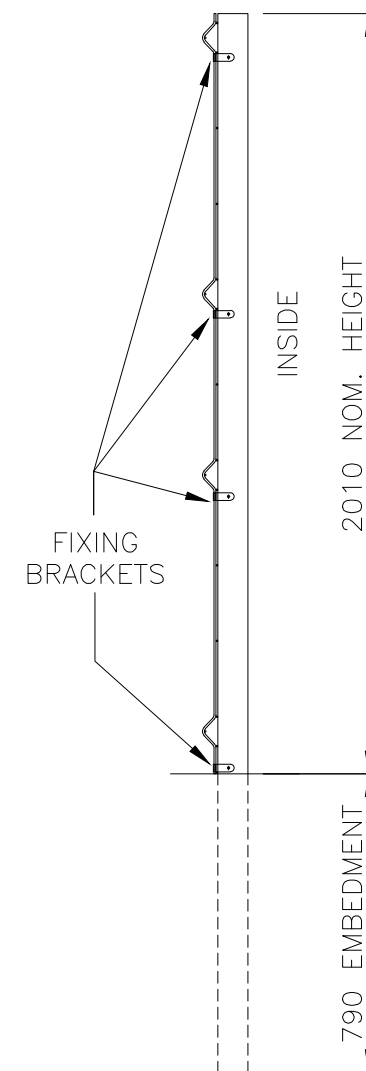


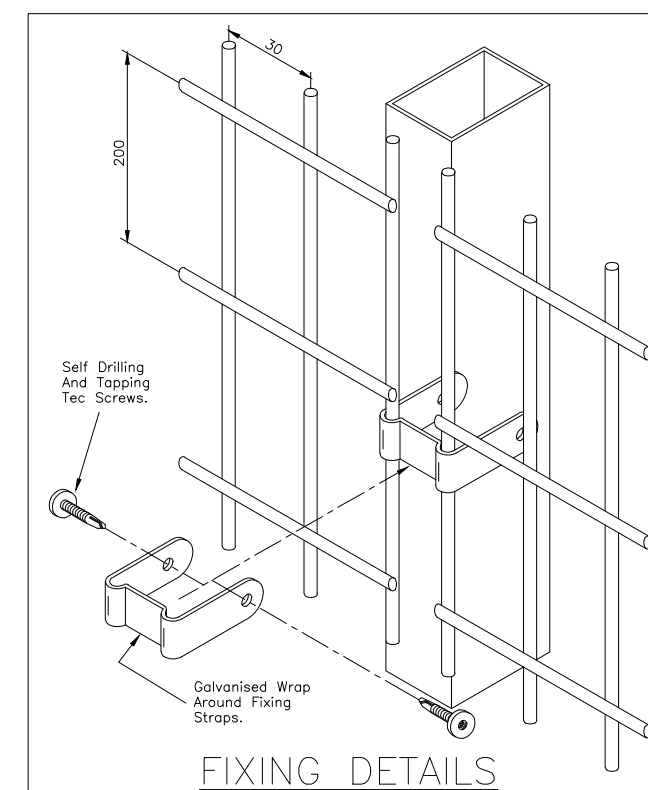
BASEPLATE SLOTTED FOR M12 CHEMICAL FIXINGS



BASEPLATED POSTS (OPTIONAL)



MESH DETAILS (SCALE 1:10)



FIXING DETAILS

NOTES.

ALL DIMENSIONS ARE IN mm (U.N.O)
GAPS UNDERNEATH GATES & FENCING ARE NOMINAL DUE TO GROUND LEVELS.

Materials.

FENCE POSTS – 80 x 60 RHS
HORIZONTAL WIRES – ϕ 5mm
VERTICAL WIRES – ϕ 5mm

Finish.

GALVANISED TO BS EN ISO 1461
POWDER COATED: IF REQUIRED

Jacksons Fencing

Stowting Common, Near Ashford,
Kent. TN25 6BN
Telephone: 01233 750393
Fax: 01233 750403
www.jacksons-fencing.co.uk

DO NOT SCALE – IF IN DOUBT ASK

- 5 20/02/2020 NEW BORDER + NOTES
- 4 25/06/2018 BASEPLATE OPTION
- 3 14/11/15 Mesh Detail Added
- 2 07/02/15 1 No. Clip Added
- 1 12/01/11 UPDATED TO CURRENT DETAILS

Drawn S.Leeper
Date 19/06/2006
Checked WB
Size A3
Scale 1:20 U.O.S

TITLE SALES DRAWING
2m HIGH EUROGUARD EXTRA FENCING
CUSTOMER
ACK No.
Drawing No. J6/01059
Sheet 1