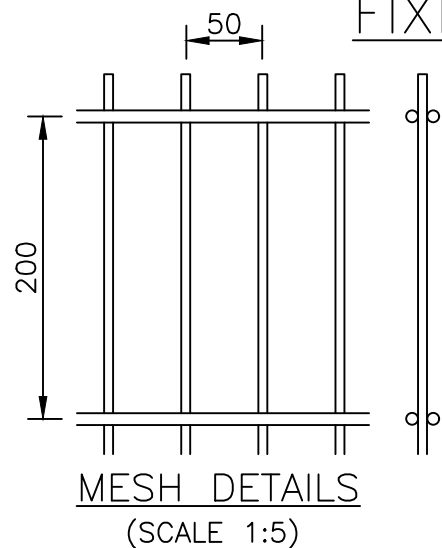
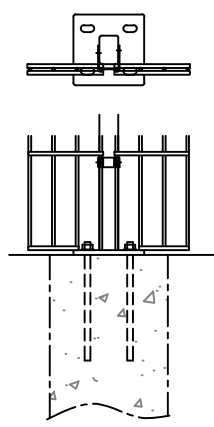


FIXING DETAILS



MESH DETAILS
(SCALE 1:5)

BASEPLATE SLOTTED FOR M12 CHEMICAL FIXINGS



OPTIONAL BASEPLATED POSTS
(SCALE 1:16)

NOTES.

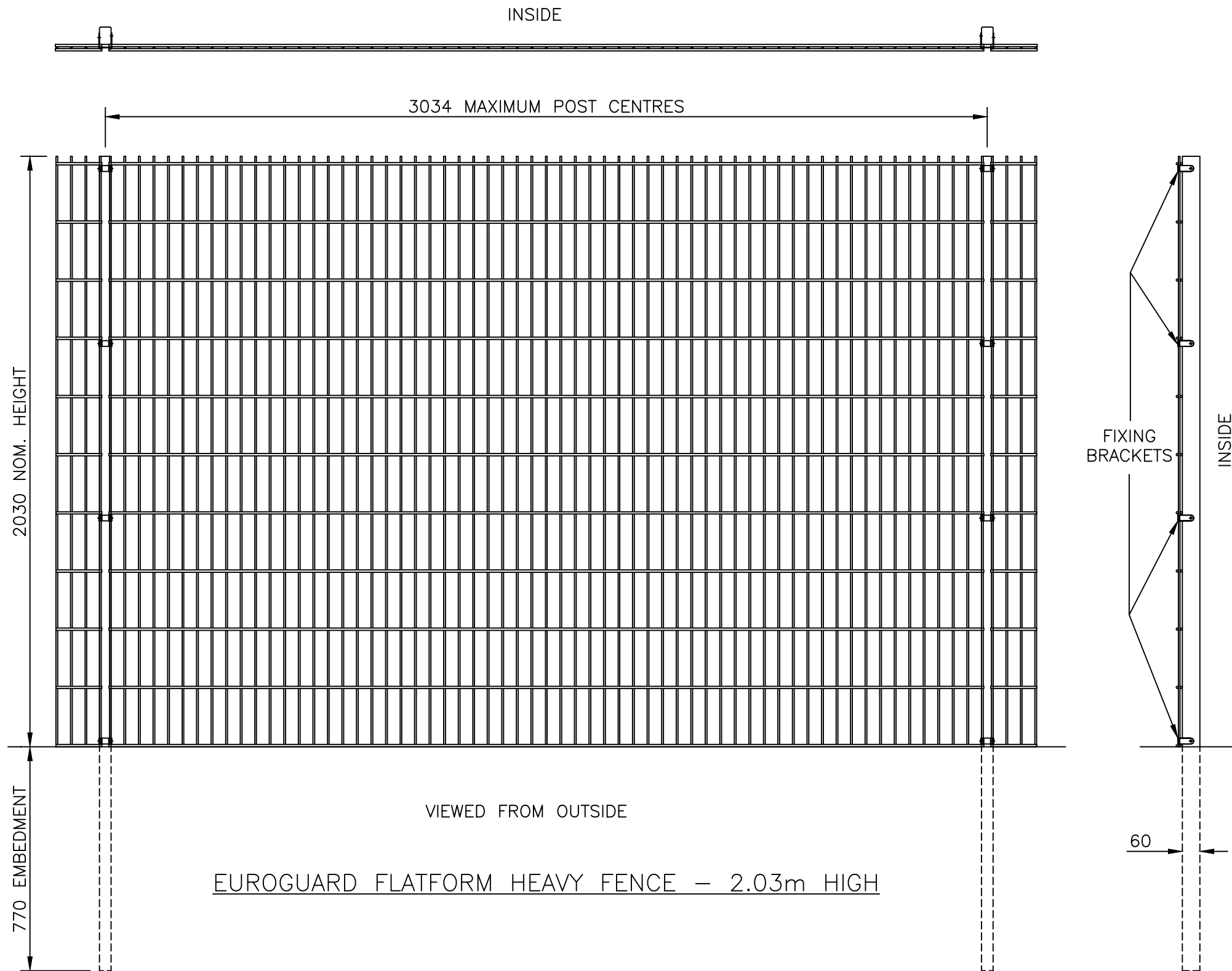
ALL DIMENSIONS ARE IN mm (U.N.O)
GAPS UNDERNEATH GATES & FENCING ARE NOMINAL DUE TO GROUND LEVELS.

Materials.

FENCE POSTS - 60 x 40 RHS (TYPICAL)
HORIZONTAL WIRES - Ø8mm
VERTICAL WIRES - Ø6mm

Finish.

GALVANISED TO BS EN ISO 1461
POWDER COATED: IF REQUIRED



EUROGUARD PLATFORM HEAVY FENCE - 2.03m HIGH



Stowting Common, Near Ashford,
Kent. TN25 6BN
Telephone: 01233 750393
Fax: 01233 750403
www.jacksons-fencing.co.uk
www.jacksons-security.co.uk

This Drawing Is The Property Of H.S. Jackson & Son (Fencing) Ltd, And May Not Be Copied Or Reproduced In Any Way Without Prior Written Permission.

DO NOT SCALE - IF IN DOUBT ASK

- ⑧ 21/02/2020 NEW BORDER + NOTES
- ⑦ 12/02/20 MESH AND CLIPS REDRAWN
- ⑥ 26/06/2018 BASEPLATE OPTION
- ⑤ 07/02/15 1 No. Clip Added
- ④ 01/03/11 50mm Wire Centres

| | |
|---------|------------------|
| Drawn | WB |
| Date | 07/12/2010 |
| Checked | WB |
| Size | Scale 1:16 U.O.S |
| A3 | |

| | | |
|-------------|---|--|
| TITLE | SALES DRAWING FOR EUROGUARD PLATFORM HEAVY FENCING - 2.03m HIGH | |
| CUSTOMER | | |
| ACK No. | | |
| Drawing No. | J6/01061 | |
| | Sheet 1 | |