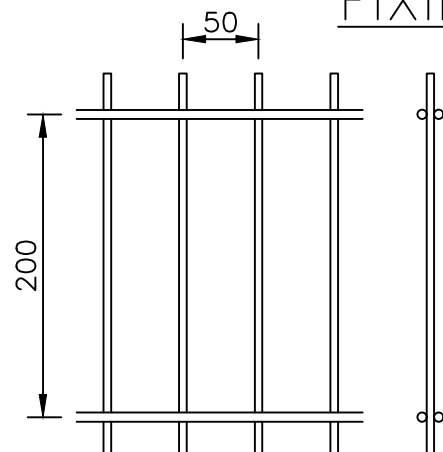
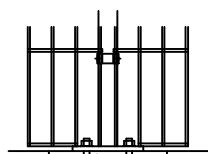
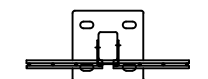


FIXING DETAILS



MESH DETAILS
(SCALE 1:5)

BASEPLATE SLOTTED FOR M12 CHEMICAL FIXINGS



OPTIONAL BASEPLATED POSTS
(SCALE 1:16)

NOTES.

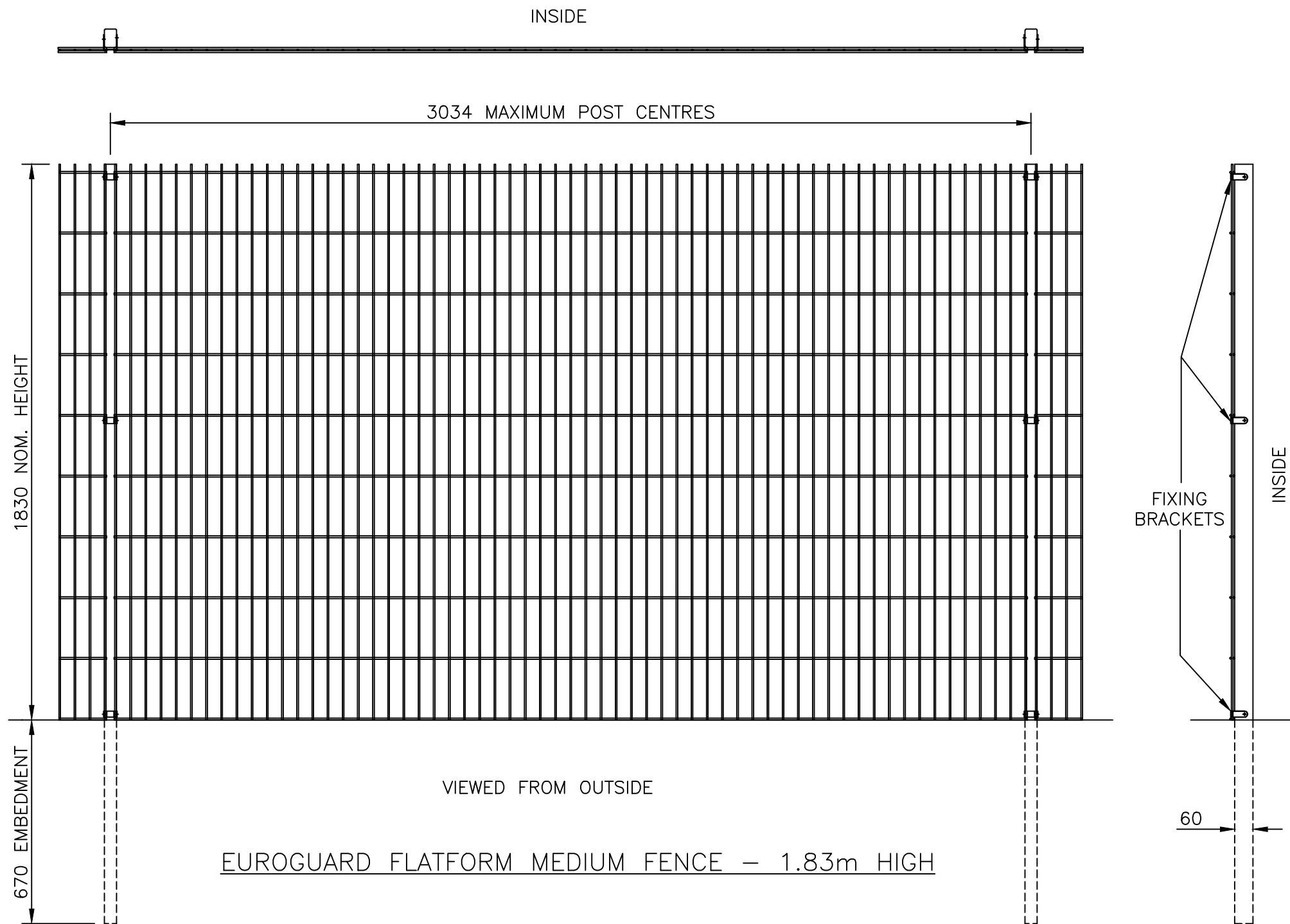
ALL DIMENSIONS ARE IN mm (U.N.O)
GAPS UNDERNEATH GATES & FENCING ARE NOMINAL DUE TO GROUND LEVELS.

Materials.

FENCE POSTS - 60 x 40 RHS (TYPICAL)
HORIZONTAL WIRES - Ø6mm
VERTICAL WIRES - Ø5mm

Finish.

GALVANISED TO BS EN ISO 1461
POWDER COATED: IF REQUIRED



EUROGUARD PLATFORM MEDIUM FENCE - 1.83m HIGH

Jacksons Fencing

Stowting Common, Near Ashford, Kent. TN25 6BN
Telephone: 01233 750393
Fax: 01233 750403
www.jacksons-fencing.co.uk
www.jacksons-security.co.uk

DO NOT SCALE - IF IN DOUBT ASK

- ⑦ 20/02/2020 NEW BORDER + NOTES
- ⑥ 12/02/20 MESH AND CLIPS REDRAWN
- ⑤ 25/06/2018 BASEPLATE OPTION
- ④ 28/02/11 50mm Wire Centres
- ③ 06/12/10 RE-DRAWN

Drawn WB	
Date	06/12/2010
Checked WB	
Size	Scale 1:16 U.O.S
A3	

TITLE SALES DRAWING FOR EUROGUARD PLATFORM MEDIUM FENCING - 1.83m HIGH	
CUSTOMER	Drawing No.
ACK No.	J6/01060 Sheet 3

This Drawing Is The Property Of H.S. Jackson & Son (Fencing) Ltd, And May Not Be Copied Or Reproduced In Any Way Without Prior Written Permission.