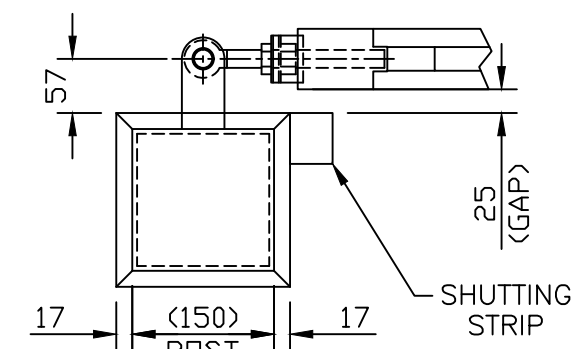


CUSTOMER NAME:
 ACK No.
 SALESMAN:
 L/H or R/H TO OPEN FIRST:
 SPECIAL INSTRUCTIONS:

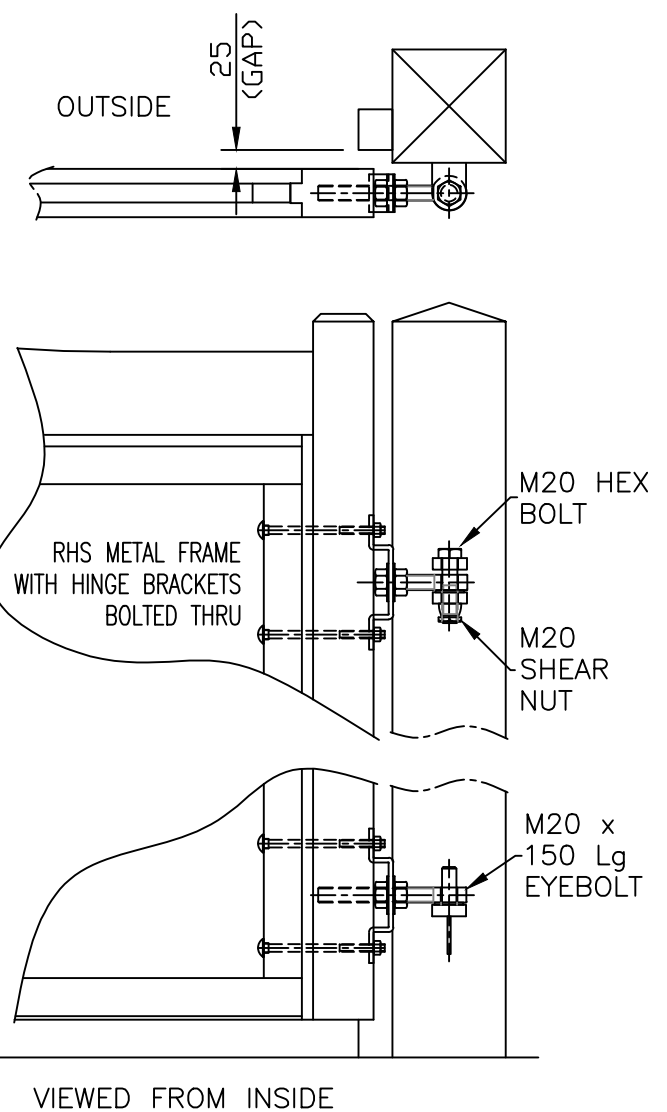
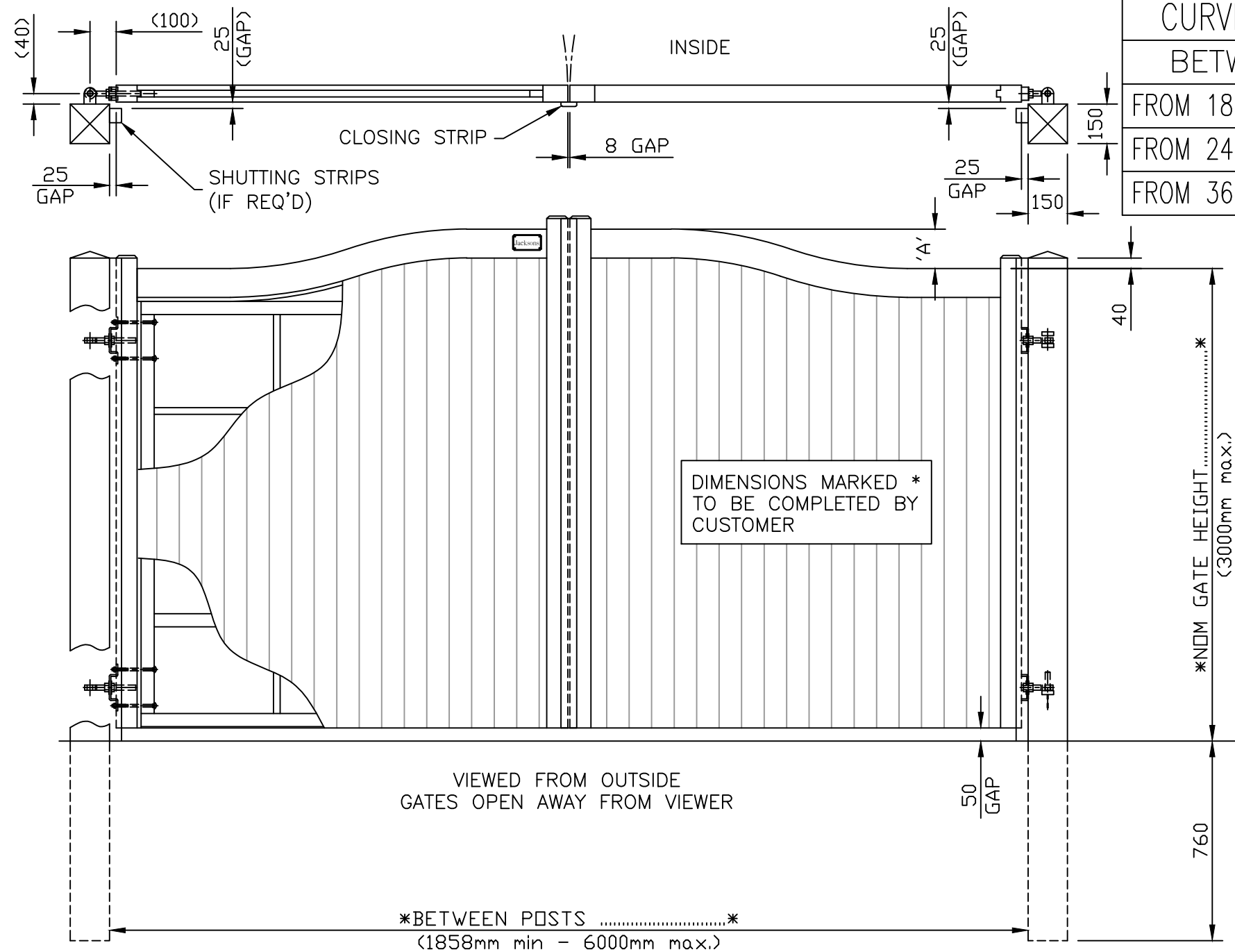
NOTES.
 ALL DIMENSIONS ARE IN mm (UNO)
 GAPS UNDER GATES & FENCING
 ARE NOMINAL DUE TO GROUND LEVELS.
MATERIALS.
 GATE POSTS: 150 x 150 SHS
FINISH.
 TIMBER: JAKCURED
 GALVANISED TO BS EN ISO 1461
 POWDER COATED: IF REQUESTED

GATES CAN BE SUPPLIED WITH
 OPTIONAL FITTINGS PACK,
 WHICH INCLUDES:
 RING LATCH
 DROPBOLTS & RECEIVERS
 STOP POSTS & CABIN HOOKS
 CENTRE GATE STOP

JACKSONS RESERVE THE RIGHT TO
 CHANGE THE STANDARD DESIGN TO
 IMPROVE THE PRODUCT AT ANY TIME



TIMBER CLAD POST OPTION
 (17mm THK CLADDING)



MAXIMUM HEIGHT MAY
 CHANGE TO SUIT HEIGHT TO
 WIDTH RATIO



Stowting Common, Near Ashford,
 Kent. TN25 6BN
 Telephone: 01233 750393
 Fax: 01233 750403
 www.jacksons-fencing.co.uk
 www.jacksons-security.co.uk

DO NOT SCALE - IF IN DOUBT ASK

18	01/05/2018	EYEBOLT FIXINGS CORRECTED
17	27/04/2017	BORDER + BOT MID RAIL
16	10/01/17	SHEAR NUT REV'D
15	28/09/16	BETWEEN POST INCREASED
14	31/03/16	DROP DIM CHANGED TO 'A'

Drawn	NM
Date	24/09/01
Checked	
Size	A3
Scale	1:20 U.O.S

TITLE	SALES DRAWING - DOUBLE HYTHE COURTYARD GATES
CUSTOMER	
ACK No.	
Drawing No.	J7/02135
Sheet	1

This Drawing Is The Property Of H.S. Jackson & Son (Fencing) Ltd, And May Not Be Copied Or Reproduced In Any Way Without Prior Written Permission.