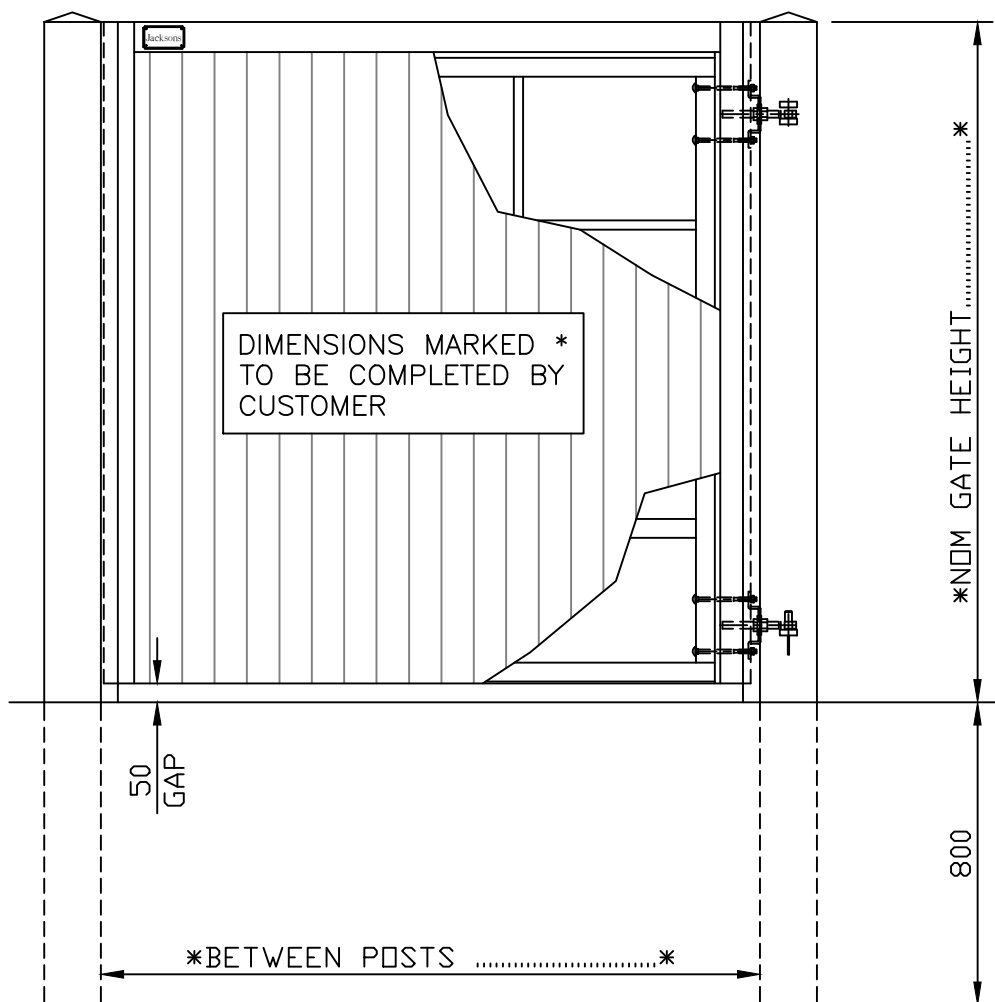
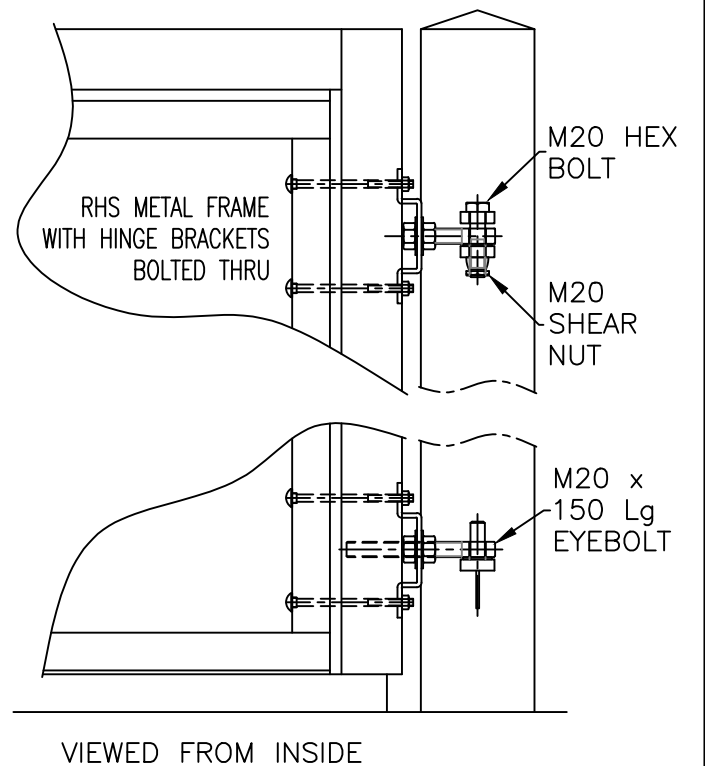
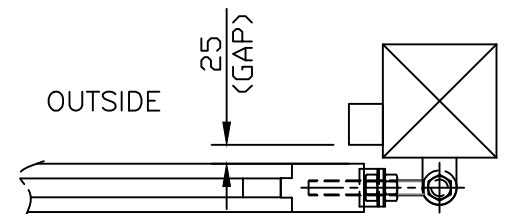
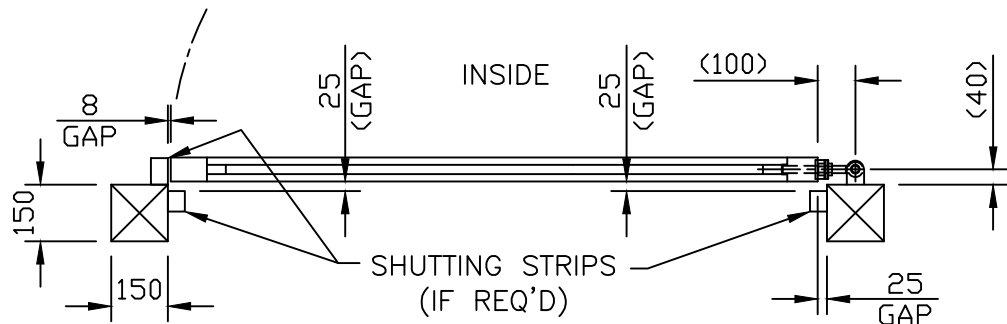
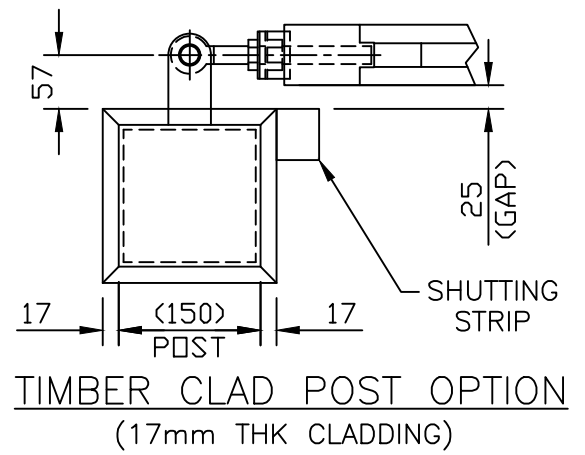


CUSTOMER NAME:
 ACK No.
 SALESMAN:
 LEFT or RIGHT HAND HANG:
 SPECIAL INSTRUCTIONS:



VIEWED FROM OUTSIDE
 GATES OPEN AWAY FROM VIEWER
 RIGHT HAND HANG (SHOWN)

NOTES.

ALL DIMENSIONS ARE IN mm (UNO)
 GAPS UNDER GATES & FENCING
 ARE NOMINAL DUE TO GROUND LEVELS.

MATERIALS.

GATE POSTS: 150 x 150 SHS

FINISH.

TIMBER: JAKCURED
 GALVANISED TO BS EN ISO 1461
 POWDER COATED: IF REQUESTED

GATES CAN BE SUPPLIED WITH
 OPTIONAL FITTINGS PACK,
 WHICH INCLUDES:
 RING LATCH
 DROPBOLT & RECEIVER
 STOP POST & CABIN HOOK

JACKSONS RESERVE THE RIGHT TO
 CHANGE THE STANDARD DESIGN TO
 IMPROVE THE PRODUCT AT ANY TIME

Drawn NM	Checked	(15) 01/05/2018 EYEBOLT FIXINGS CORRECTED
Date 24/09/01	Size A3	(14) 27/04/2017 BORDER + BOT MID RAIL
	Scale 1:20 U.O.S	(13) 10/01/17 Shear nut rev'd

DO NOT SCALE - IF IN DOUBT ASK



Stowting Common, Near Ashford, Kent. TN25 6BN
 Telephone: 01233 750393 Fax: 01233 750403
 Int. Tel: +44 (0)1233 750393
 www.jacksons-fencing.co.uk
 www.jacksons-security.co.uk

TITLE SALES DRAWING - SINGLE RYE COURTYARD GATES

CUSTOMER Drawing No. J7/02134S

ACK No.