

Customer Name:.....

Sales Order No:.....

Gate Height:.....

Gate Width:.....

Salesman:.....

**NOTE: HINGES WILL BE FITTED AS STANDARD UNLESS INDICATED**

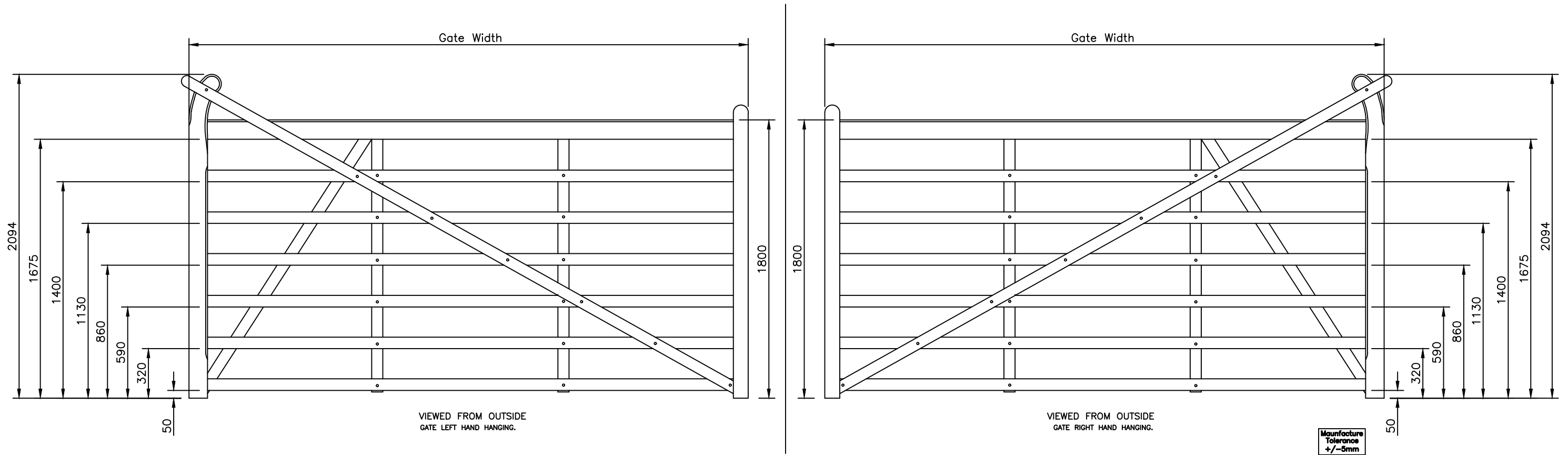
IF FITTINGS ARE REQUIRED TO BE SUPPLIED SEPARATELY PLEASE TICK BOX.....

# 7-Bar Entrance Gate

### Specification


Gates are a Nominal 1.8m high. Top rail 100mm x 75mm, under rail cross braces 75 x 25mm. Slam stile (rounded top) 100 x 75mm. Supplied in Natural Jakcured finish.

If gates are automated with underground operators, bottom rail is increased to 75 x 75mm, with stiles cut back to suit.



- All timber used through out is superior quality Jakcured softwood guaranteed for 25 years
- The timber is machined to a standard size, stop chamfered and planed
- All rail and cross bracings are bolted with stainless steel bolts
- All joints are morticed and tenoned
- Traditional attractive designs

DO NOT SCALE – IF IN DOUBT ASK

	Stowting Common, Near Ashford, Kent. TN25 6BN Telephone: 01233 750393 Fax: 01233 750403 <a href="http://www.jacksons-fencing.co.uk">www.jacksons-fencing.co.uk</a> <a href="http://www.jacksons-security.co.uk">www.jacksons-security.co.uk</a>	ITEM: <b>7 - Bar Entrance Gate</b>
	This Drawing Is The Property Of H.S. Jackson & Son (Fencing) Ltd. And May Not Be Copied Or Reproduced In Any Way Without Prior Written Permission.	QUANTITY: