

**NOTES.**

ALL DIMENSIONS ARE IN mm (U.N.O)

**Materials.**

SLAM POST: 100 x 100 SHS  
 HANG POST: 150 x 150 SHS (UPTO 5m)  
 200 x 200 SHS (OVER 5m)  
 GATE FRAME: 80 x 80 x SHS  
 SLAM ANGLE: 125 x 75 RSA

**Finish.**

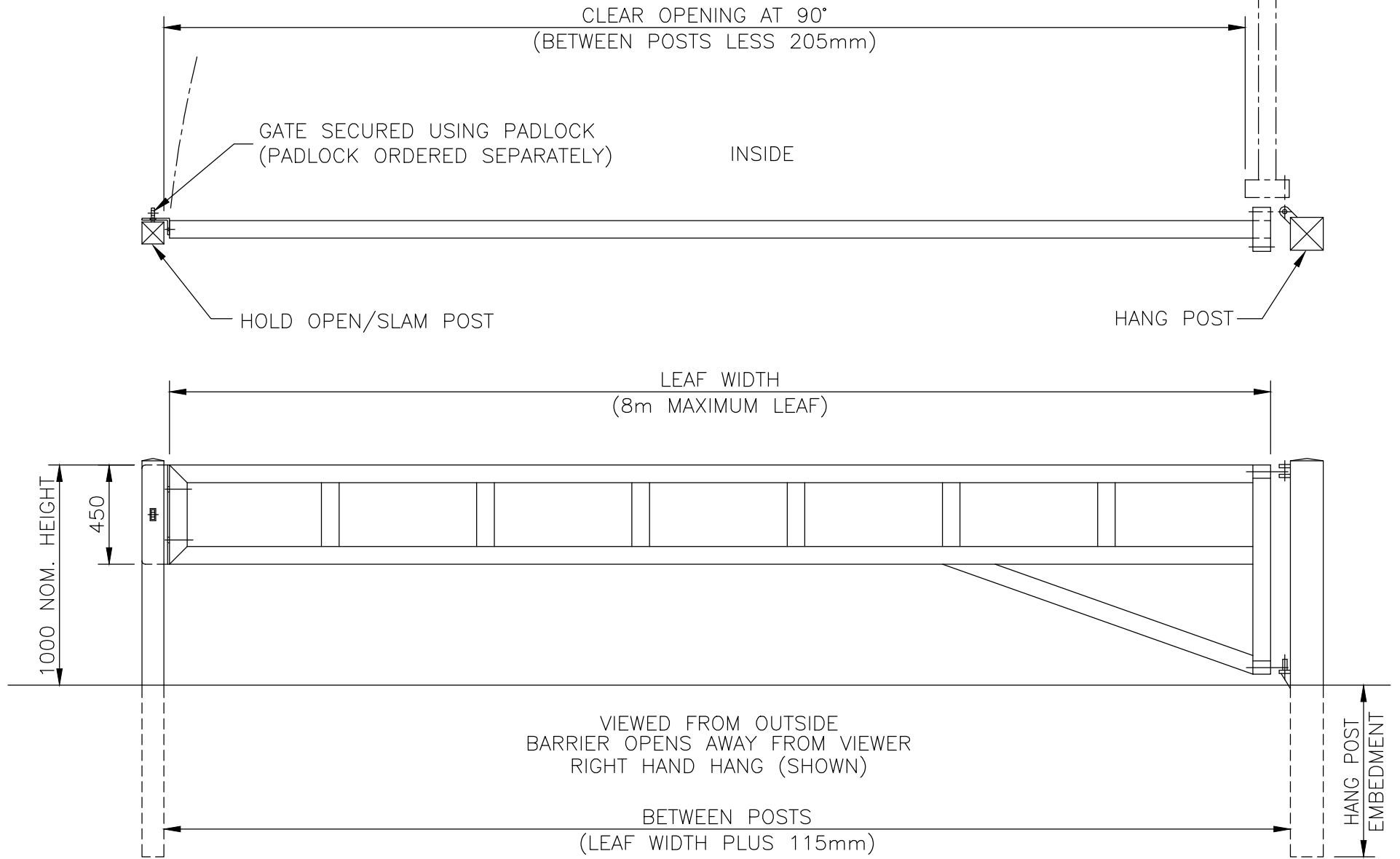
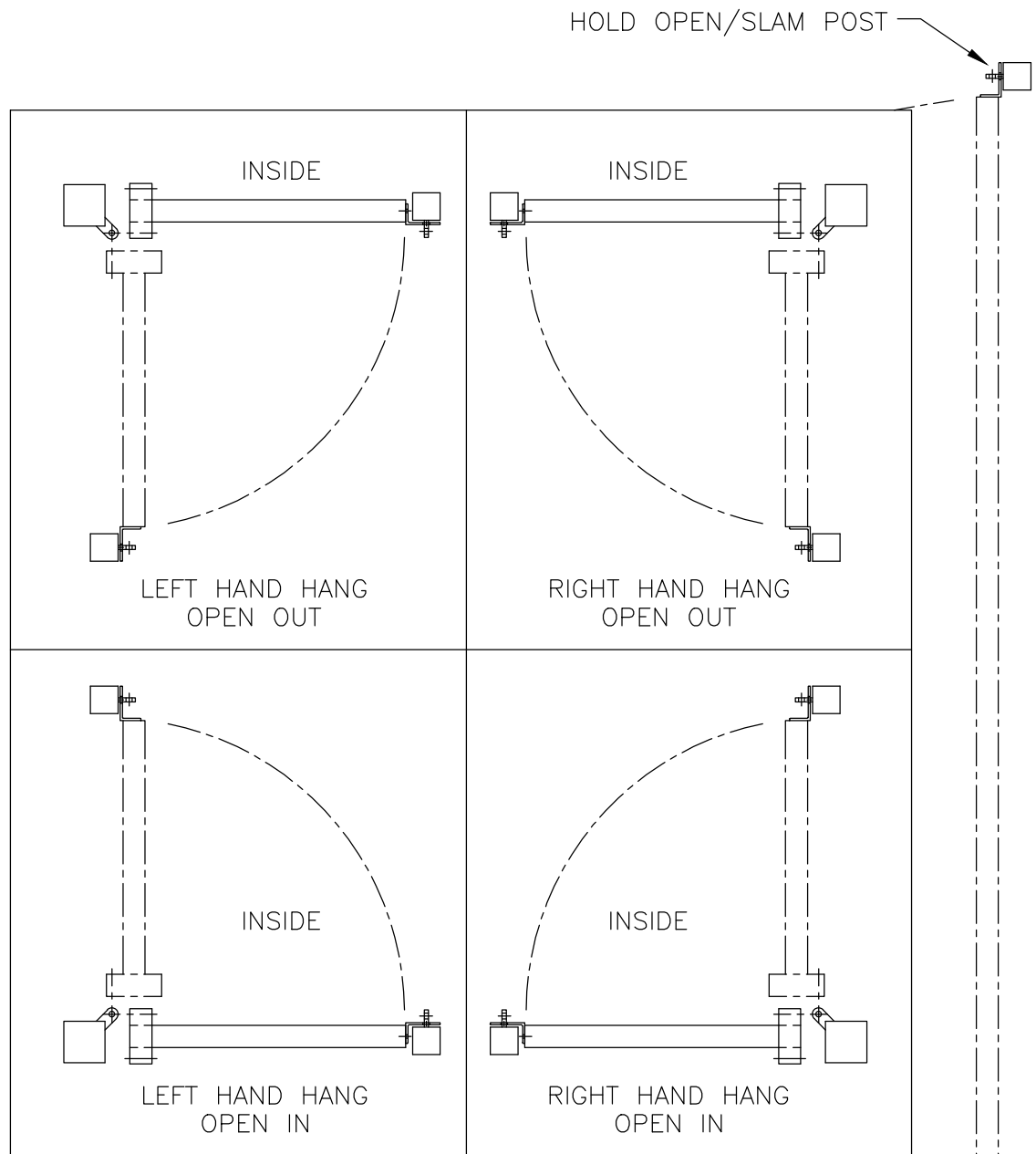
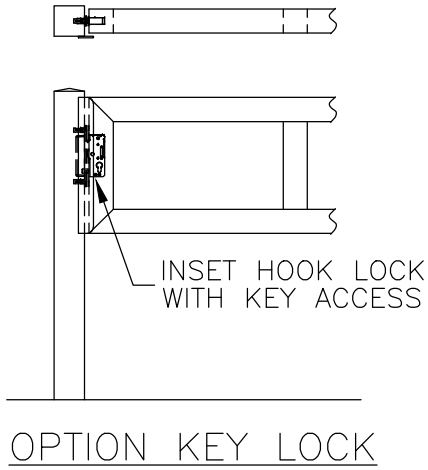
GALVANISED TO BS EN ISO 1461  
 POWDER COATED IF REQUIRED

**Foundations**

ASSUMING AVERAGE GROUND CONDITIONS

**HANG POST BASE SIZES**

UP TO 6m BARRIER – 800 x 800 x 800 DEEP  
 UP TO 8m BARRIER – 1000 x 1000 x 1200 DEEP  
 SLAM POST BASE SIZE – 300 x 300 x 800 DEEP



Drawn WB	Checked CJ	④ 13/03/2020 NEW BORDER + NOTES
Date 13/01/2006	Size A3	③ 11/09/18 Inset Key Lock Variation
	Scale 1:25 U.O.S	② 21/12/17 Updated Issue

DO NOT SCALE – IF IN DOUBT ASK

**Jacksons Fencing**

Stowting Common, Near Ashford, Kent. TN25 6BN  
 Telephone: 01233 750393 Fax: 01233 750403  
 Int. Tel: +44 (0)1233 750393  
 www.jacksons-fencing.co.uk

TITLE SALES DRAWING  
 HEAVY DUTY WARDEN BARRIER

CUSTOMER

Drawing No.

J4/02071

This Drawing Is The Property Of H.S. Jackson & Son (Fencing) Ltd.  
 And May Not Be Copied Or Reproduced In Any Way Without Prior Written Permission.

ACK No.