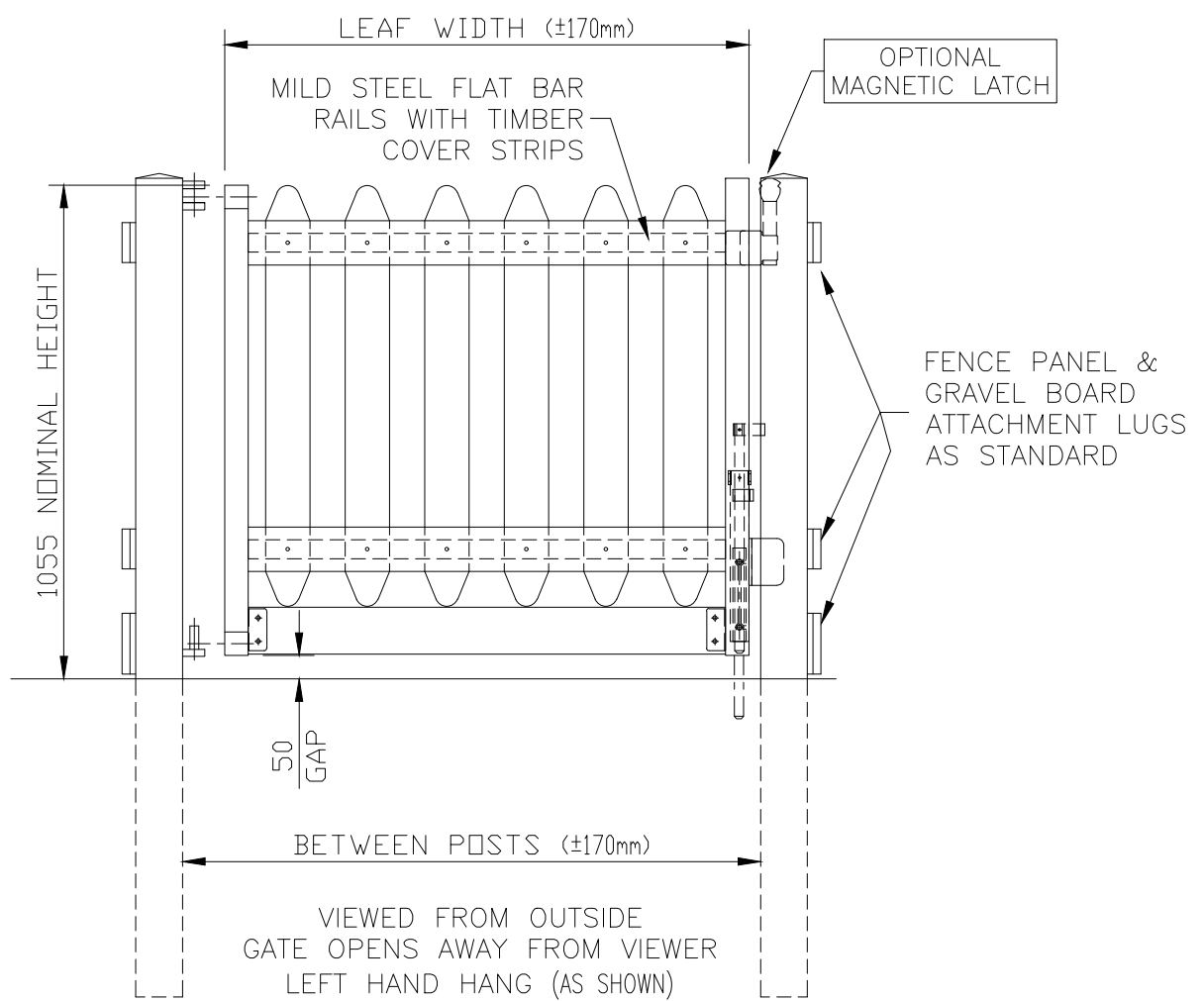
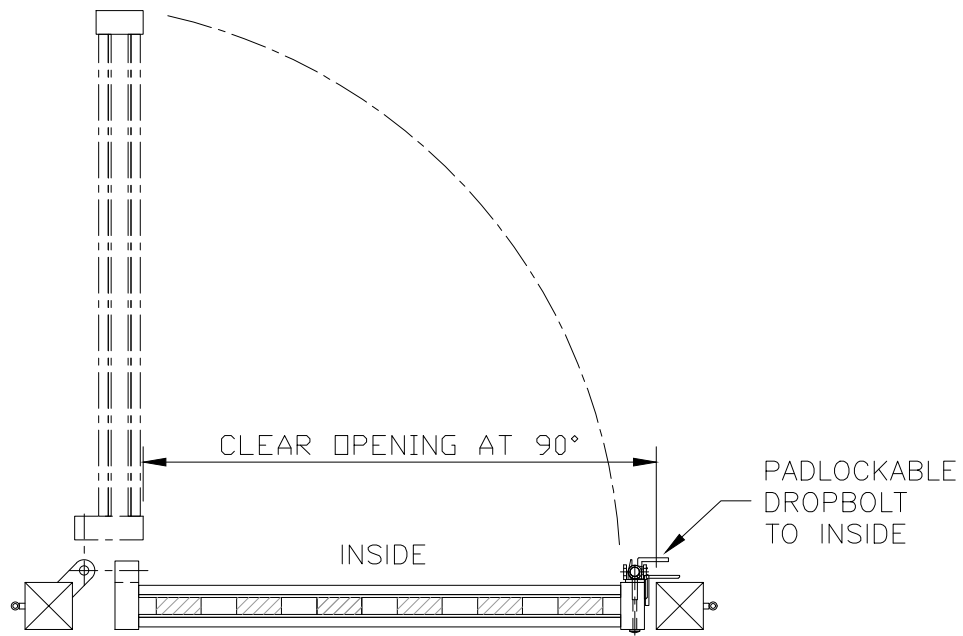


TOP HINGE DETAIL  
SCALE (1:8)



WOODEN TIMBER PLAYTIME PEDESTRIAN SINGLE GATE

NOTES.

ALL DIMENSIONS ARE IN mm (UNO)  
GAPS UNDER GATES & FENCING  
ARE NOMINAL DUE TO GROUND LEVELS.

MATERIALS.

POSTS: 100 x 100 SHS  
RAILS: 40 x 6 MS FLAT  
STILES: 100 x 50 RHS

FINISH.

GALVANISED TO BS EN ISO 1461  
POWDER COATED: GREEN RAL 6005  
TIMBER: JAKCURED & STAINED OR PAINTED

BETWEEN POSTS	LEAF SIZE	CLEAR OPENING
895	780	740
1065	950	910
<b>STANDARD SIZE</b>	<b>1235</b>	<b>1120</b>
1405	1290	1250
1575	1460	1420

Drawn Chris J	Checked CJ	6	23/03/2020 NEW BORDER + NOTES	
Date 02/08/2005	Size A3	Scale 1:16 U.O.S	5	27/04/17 Drawing Updated
			4	11/01/17 Top Hinge Detail

DO NOT SCALE – IF IN DOUBT ASK



Stowting Common, Near Ashford, Kent. TN25 6BN  
Telephone: 01233 750393 Fax: 01233 750403  
Int. Tel: +44 (0)1233 750393  
www.jacksons-fencing.co.uk

TITLE	SALES DRAWING WOODEN TIMBER PLAYTIME PEDESTRIAN SINGLE GATE
CUSTOMER	Drawing No. J8/04017 Sheet 4
ACK No.	