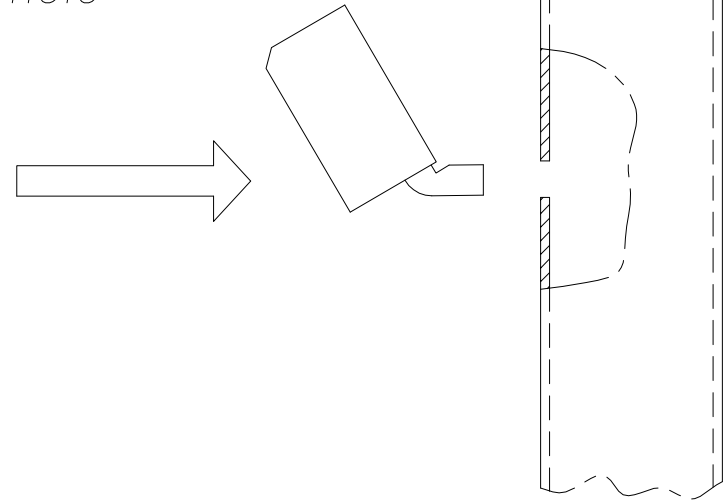


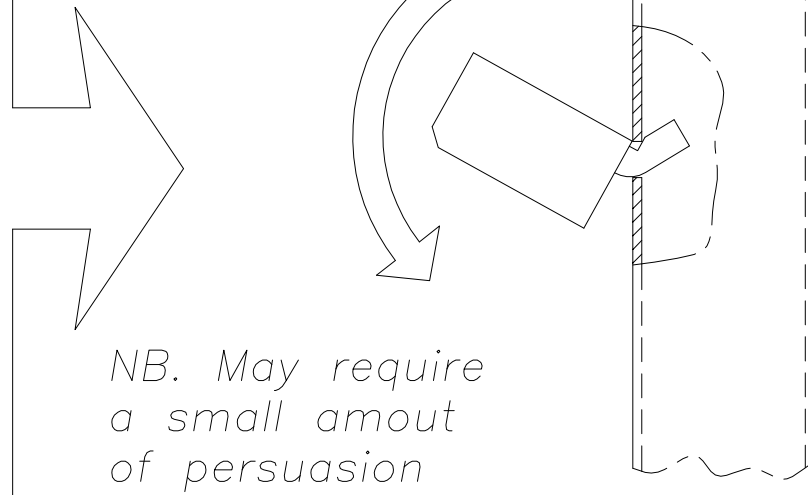
1

Insert connectors until fully engaged in hole

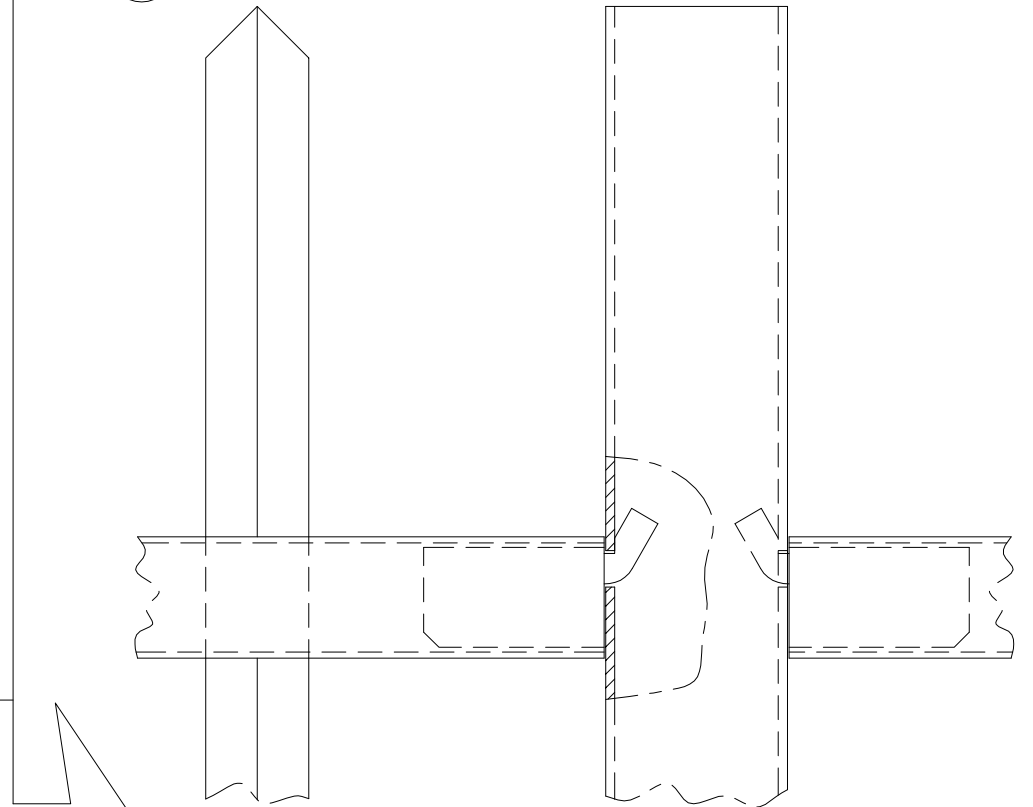


2

Rotate down

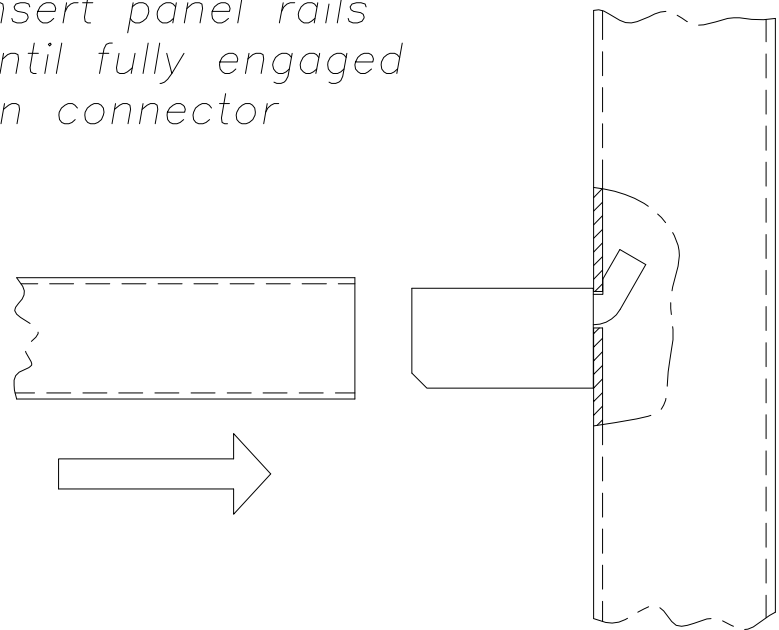


5



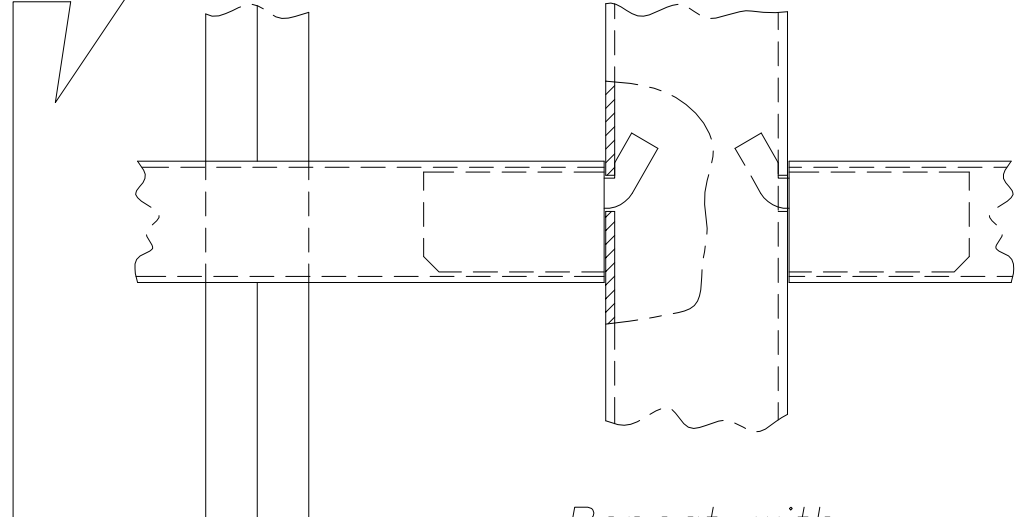
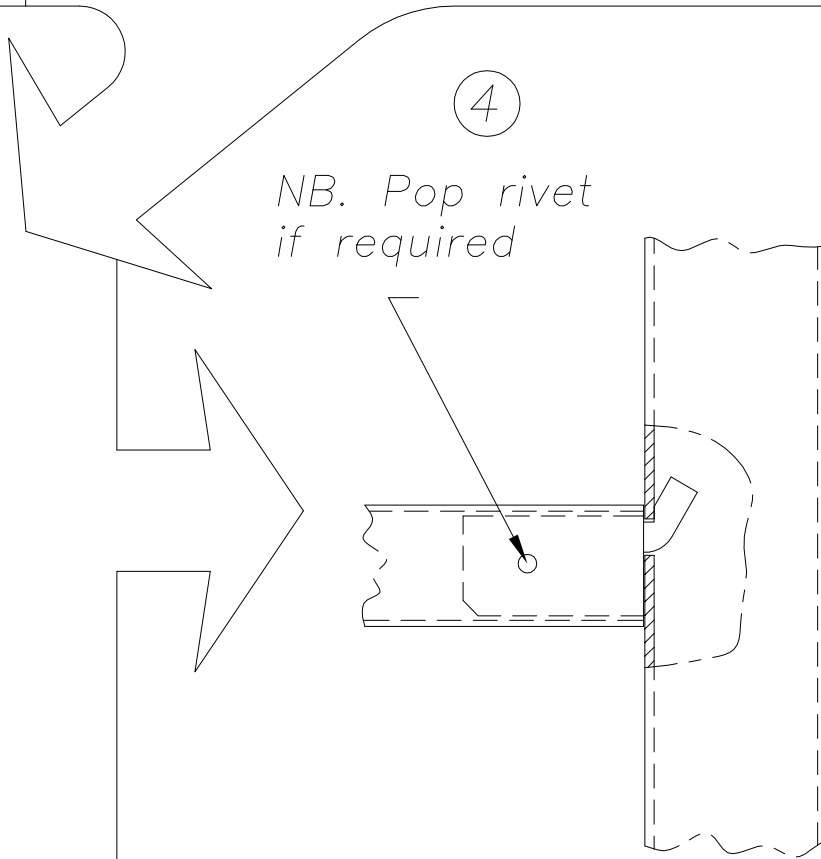
3

Insert panel rails until fully engaged on connector



4

NB. Pop rivet if required



Repeat with next panel and post

Jacksons
FINE FENCING

Stowling Common
 Near Ashford,
 KENT. TN25 6BN
 Telephone : 01233 750393
 Fax: 01233 750403
 Int. Tel : +44 (0)1233 750393

This Drawing Is The Property Of H.S. Jackson & Son (Fencing) Ltd.
 And May Not Be Copied Or Reproduced In Any Way Without Prior Written Permission.

04/12/2007 Original Issue

Drawn A Benjamins

Date 03/12/07

Checked

Size A3

Scale N.T.S U.O.S

TITLE Standard Connector Installation Details
 For Fencing With 60 x 40 Rails.

CUSTOMER

ACK No.

Drawing No.

07 J1/01081

Sheet 1 of 1