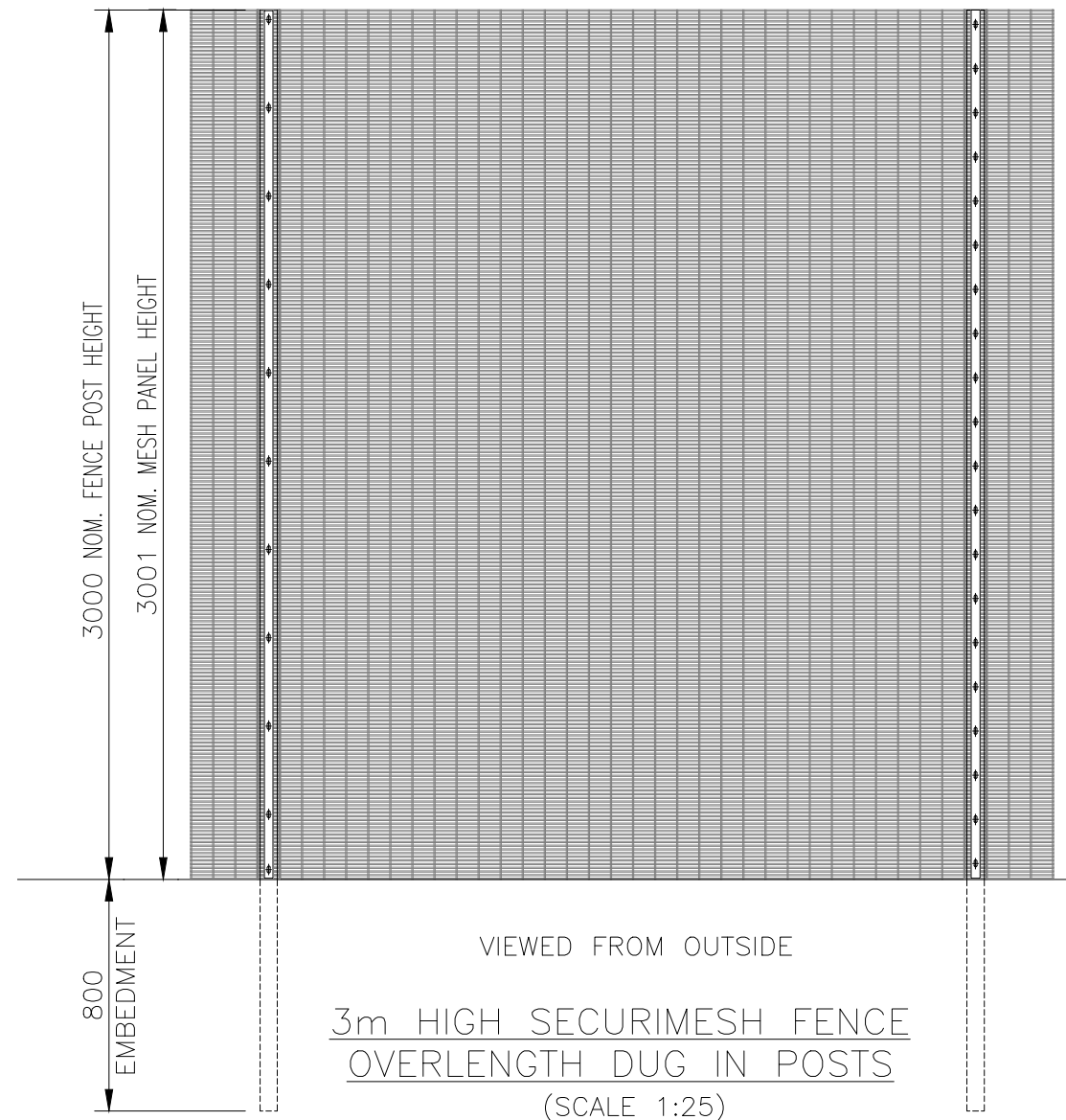
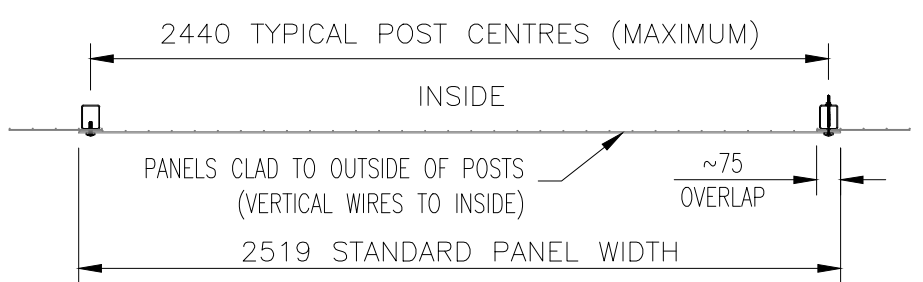
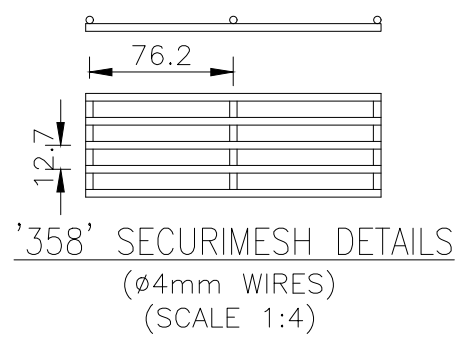
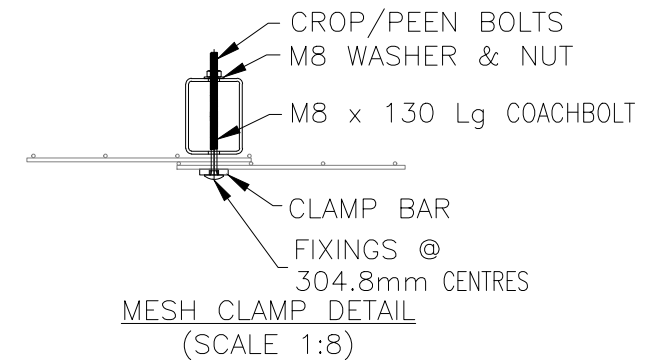
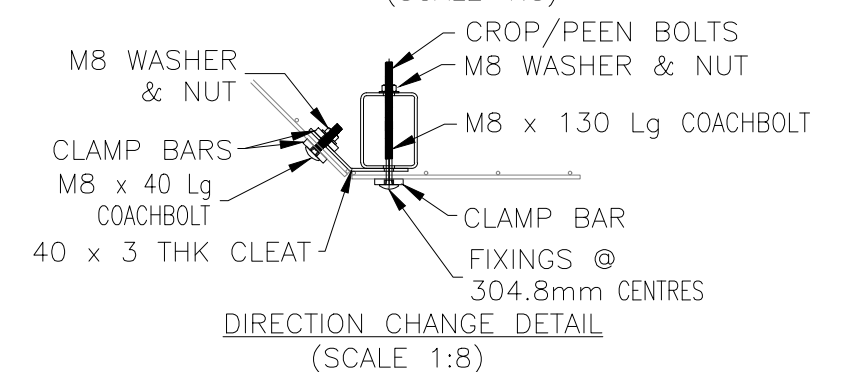
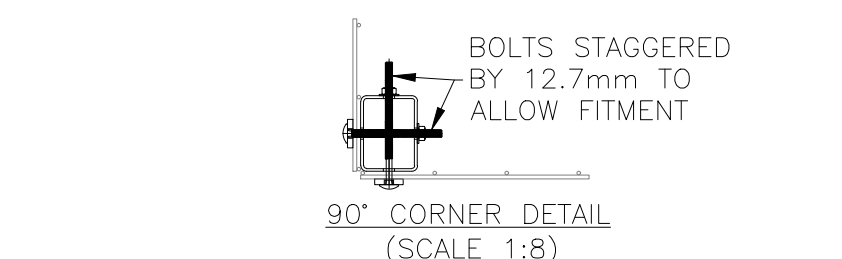


OPTION '1' FIXING  
(FACE FIXED)

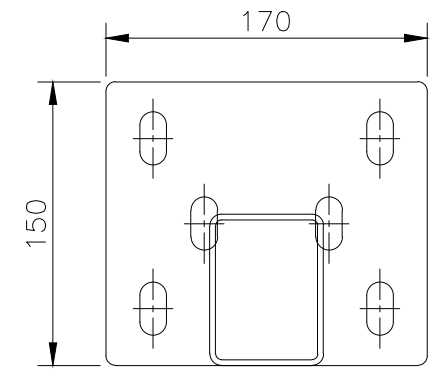


OPTION 'A'  
(304.8mm CENTRES)

OPTION 'B'  
(152.4mm CENTRES)



OPTION '2' FIXING  
(BOLTED THRU)



10mm MS PLATE FOR  
4 No. M12 CHEMICAL  
FIXINGS + 15mm GROUT  
BASEPLATE POST OPTION  
(SCALE 1:4)

NOTES.  
ALL DIMENSIONS ARE IN mm (UNO)  
GAPS UNDER FENCING ARE  
NOMINAL DUE TO GROUND LEVELS.  
MATERIALS.  
FENCE POST: 80 x 60 RHS  
CLAMP BARS: 30 x 6 MS FLAT  
FINISH.  
GALVANISED TO BS EN ISO 1461  
POWDER COATED: IF REQUESTED

<h1>Jacksons</h1> <h2>FINE FENCING</h2>	Stowting Common Near Ashford, KENT. TN25 6BN Telephone : 01233 750393 Fax: 01233 750403 Int. Tel : +44 (0)1233 750393	DO NOT SCALE – IF IN DOUBT ASK ⑥ 13/10/2016 MORE DETAILS ADDED ⑤ 25/07/16 Clamp Bars & Options Added ④ 03/02/15 Post Ctrs and Overlap ③ 28/01/14 General Material Notes ② 07/06/13 Mesh detail updated	Drawn WB	TITLE SALES DRAWING 3m HIGH SECURIMESH FENCE	
			Date 13/10/2016		
This Drawing Is The Property Of H.S. Jackson & Son (Fencing) Ltd. And May Not Be Copied Or Reproduced In Any Way Without Prior Written Permission.		Checked CJ	Drawing No. J6/04030 Sheet 4		
Size A3	Scale 1:25 U.O.S	Title SALES DRAWING 3m HIGH SECURIMESH FENCE		Customer ACK No.	