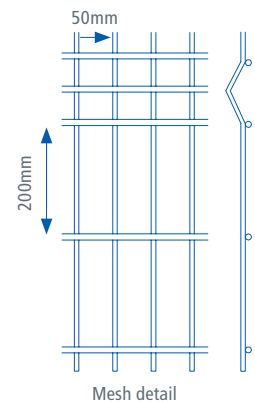


# EUROGUARD® COMBI



Euroguard® Combi brings our experience and reputation in steel and timber fencing and gates together in a design that combines the beauty of natural wood with the strength of steel. The robust fence panels and matching gates provide the additional advantages of a flat facing surface with no hand or foot holds as well as closely spaced slats for added privacy.

- Welded mesh panels with timber slats
- Mesh 200 x 50mm centres with 45mm gap, 5mm wire (wire measured prior to coating)
- Unique vandal-proof panel to post fixing
- Can be stepped to accommodate sloping ground
- Posts can be customised for Barbed wire / Razor wire / Rota Spike® / Alarm-aFence®
- Panels can be topped with Viper Spike® / Cobra Spike®
- 25 year service life and Jakcure guarantee



## APPLICATIONS

- ✓ Schools
- ✓ Medium - High risk
- ✓ Storage

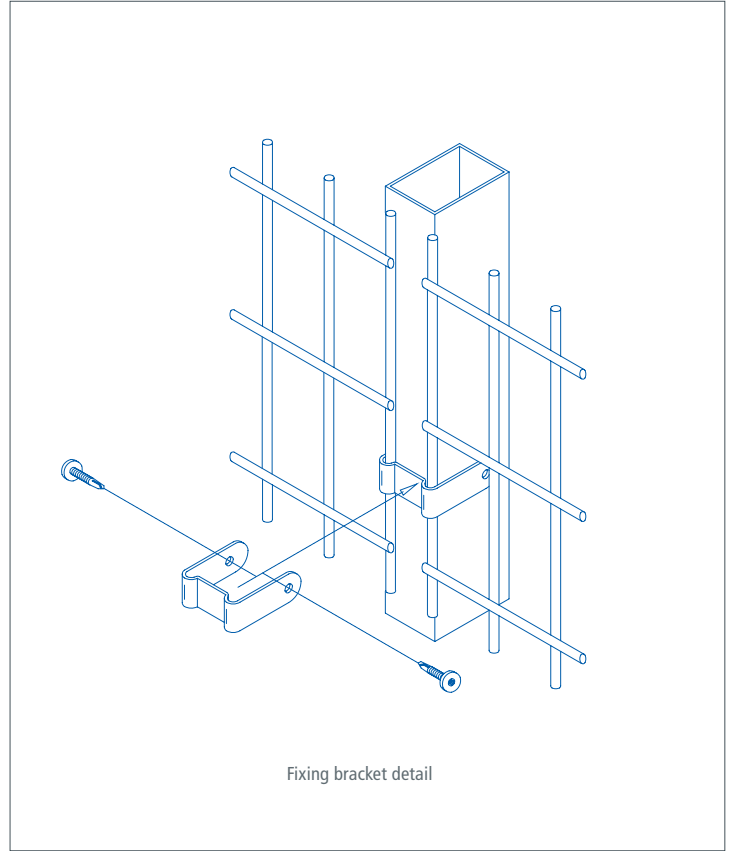
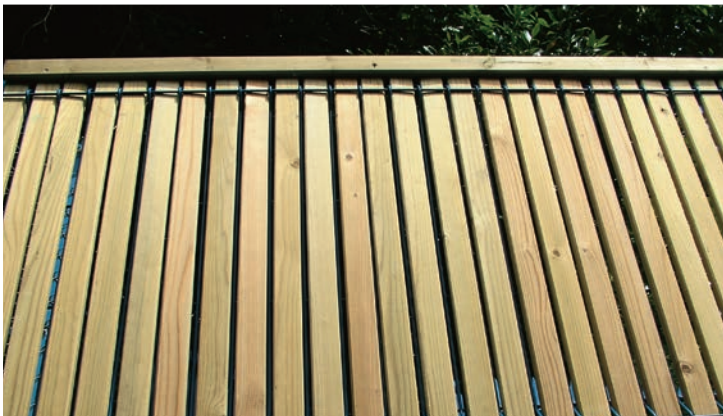
## PANELS

Mesh panels with 'V' profile with 2 - 4 reinforcing folds (subject to height) are made using 5mm horizontal and vertical wires with 195 x 45mm aperture, welded at intersections which Galfan® Zinc alloy treated as standard.

40 x 17mm timber slats are treated using our Jakcure® treatment process guaranteeing the timber for 25 years against rot or insect attack.

## GATES

Matching gates available



HEIGHT (MM)	POST CENTRES (MM)	TIMBER SLATS (MM)	POST DIMENSIONS (MM)	OVERALL POST LENGTH (MM)
1585	3054	40 x 17	80 x 60 (plus spur post*)	2100
1870	3054	40 x 17	80 x 60 (plus spur post*)	2500
2070	3054	40 x 17	80 x 60 (plus spur post*)	2800
2470	3054	40 x 17	80 x 60 (plus spur post*)	3300
3170	3054	40 x 17	120 X 60 (plus spur post**)	3900

\*Spur post size - 80 x 60mm

\*\* Spur post size - 120 x 60mm

### POST OPTIONS

- Overlength set in concrete as standard
- Baseplated to bolt down onto concrete
- Cranked to suit wall mounting

### FINISHES

- Panels are Galvan® zinc alloy coated to BS EN 10244-2:2009 class A as standard
- Powder coated to BS EN 13438
- Marine coat for installations within 500m of salt water or an estuary

### STANDARD COLOURS

- Black RAL 9005
- Green RAL 6005
- Other colours are available on request