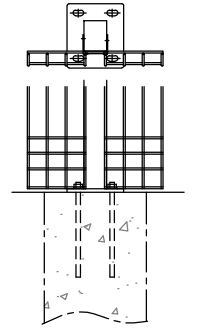
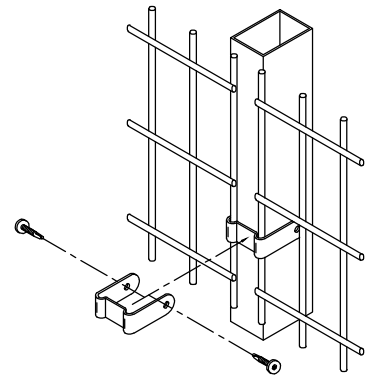


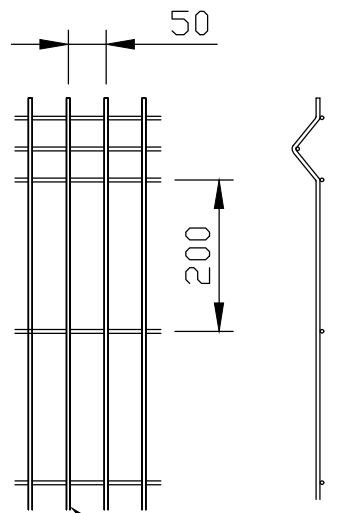
150 x 10 thk x 170  
BASEPLATE DRILLED FOR  
4 No. M12 CHEMICAL FIXINGS



BASEPLATED POSTS  
(OPTIONAL)

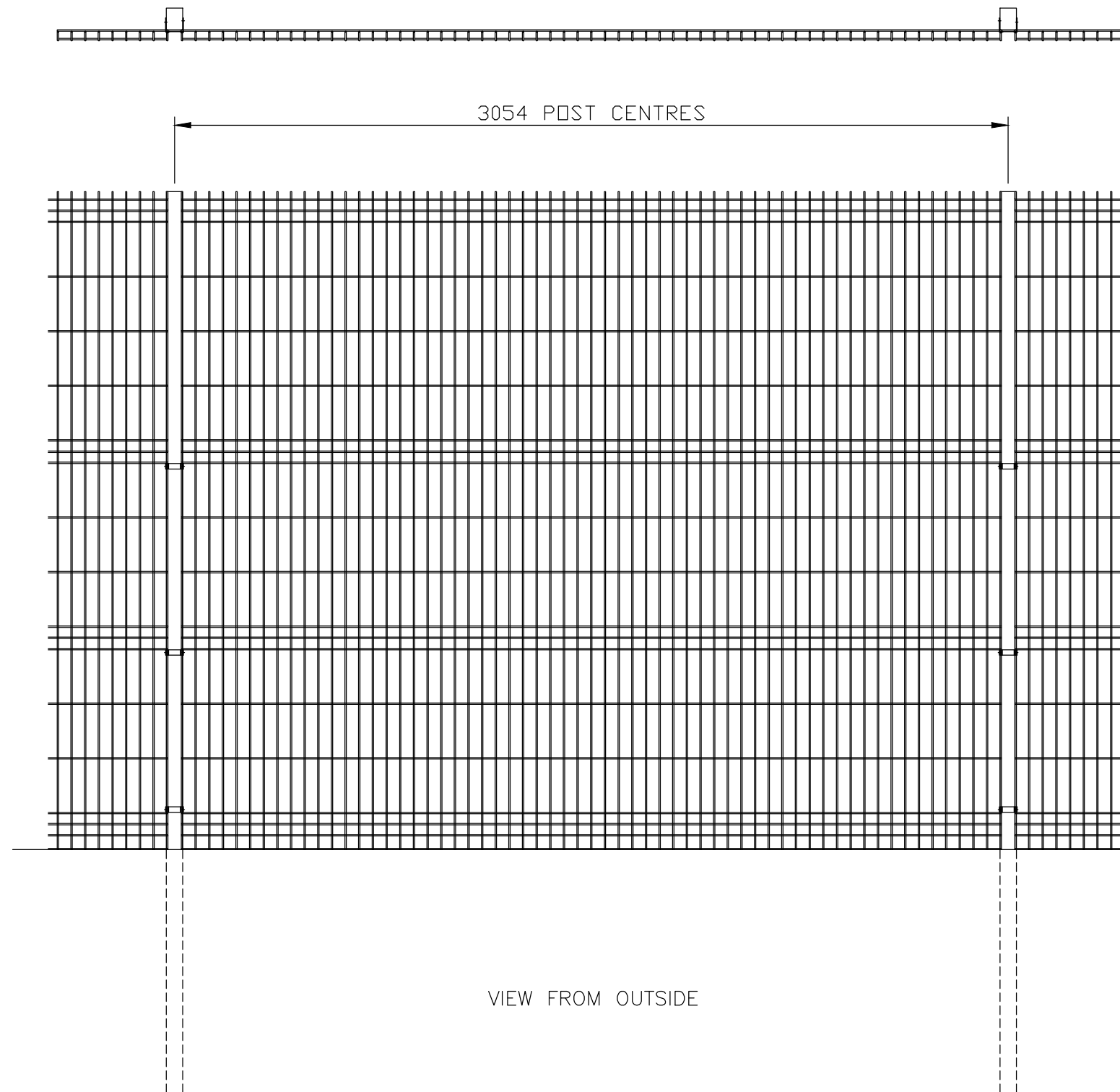


FIXING BRACKET  
DETAIL



Ø5mm WIRE

MESH DETAILS



FIXING BRACKET

2410 Nom. FENCE HEIGHT

INSIDE

FGL.

FGL.

890  
EMBEDDED

80

**NOTES.**

ALL DIMENSIONS ARE IN mm (UNO)  
GAPS UNDER GATES ARE  
NOMINAL DUE TO GROUND LEVELS.

**MATERIALS.**

POST: 80 x 60 RHS (TYPICAL)  
(POSTS ASSESSED TO SITE LOCATION)

**FINISH.**

GALVANISED TO BS EN ISO 1461  
POWDER COATED: IF REQUESTED

**Jacksons  
Fencing**

Stowting Common, Near Ashford,  
Kent. TN25 6BN  
Telephone: 01233 750393  
Fax: 01233 750403  
www.jacksons-fencing.co.uk

DO NOT SCALE – IF IN DOUBT ASK

- ⑤ 19/02/2020 NEW BORDER + NOTES UPDATED
- ④ 25/02/11 50mm Wire Centres
- ③ 04/01/10 Panels Corrected
- ② 10/11/09 SHEET No.
- ① 29/09/08 Panel Width Now 3m

Drawn S.leeper

Date 15/06/2006

Checked Chris J

Size A3 Scale 1:20 U.O.S

TITLE

SALES DRAWING

2.4m HIGH EUROGUARD REGULAR FENCE

CUSTOMER

ACK No.

Drawing No.

J6/01058

Sheet 4

This Drawing Is The Property Of H.S. Jackson & Son (Fencing) Ltd, And May Not Be Copied Or Reproduced In Any Way Without Prior Written Permission.